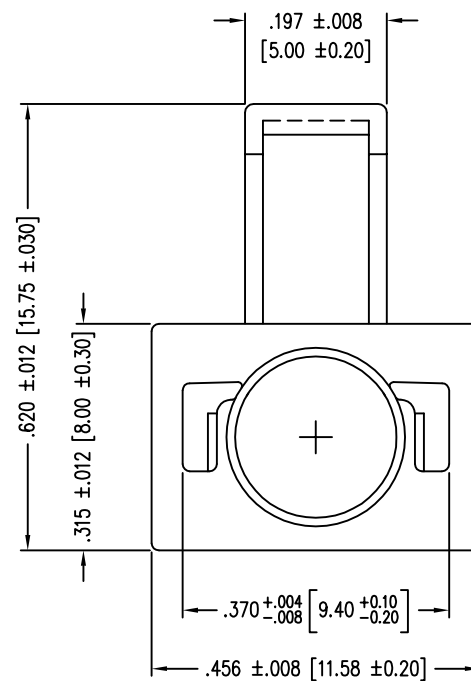
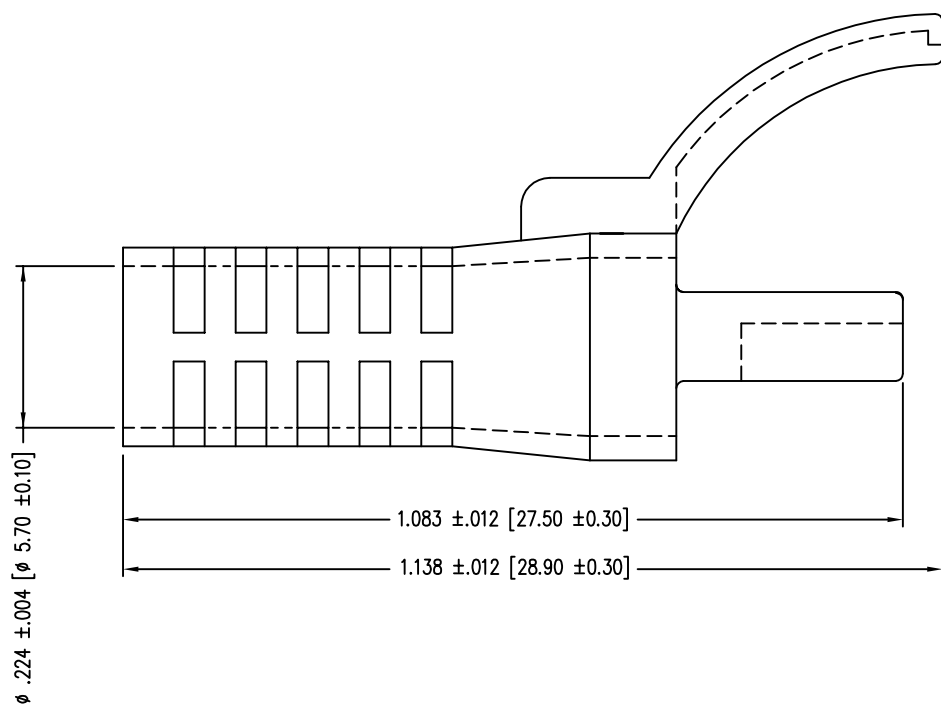
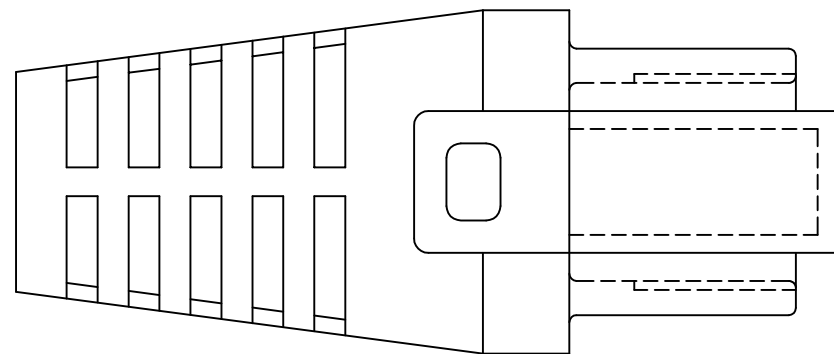


2

1

DATE	REV	ECN	APP'D. BY
10-1-15	A3	10434	TRM
3-30-16	A4	10653	TRM



PART NUMBER	COLOR
450-034	CLEAR
450-035	YELLOW
450-036	WHITE
450-037	RED
450-038	GREEN
450-039	GREY
450-040	BLUE
450-041	BLACK
450-042	ORANGE

NOTES:  
1. CONNECTOR MATERIALS:  
HOUSING: THERMOPLASTIC

B

B

A

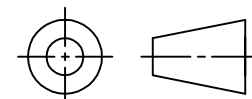
A



11118 Susquehanna Trail South  
Glen Rock, PA 17327-9199  
(717) 235-7512

<http://www.stewartconnector.com>

THIRD ANGLE PROJECTION



TITLE  
EXTERNAL STRAIN RELIEF BOOT

UNLESS OTHERWISE SPECIFIED  
DIMENSIONS ARE IN INCHES

TOLERANCES ARE:  
ANGLES  $\pm 1^\circ$   
2 PLC. DEC.  $\pm .010''$   
3 PLC. DEC.  $\pm .003''$   
4 PLC. DEC.  $\pm .0005''$   
DO NOT SCALE DRAWING

DRN BY:	S.M. Neal	DATE	12-4-12
CHKD BY:	K.A. Crawford	DATE	12-4-12
APPD BY:	D.R. Imschweiler	DATE	12-4-12
SHEET	1 OF 1	SCALE	1 : 1
		REV.	A4

THIS DRAWING AND THE SUBJECT MATTER SHOWN THEREON ARE CONFIDENTIAL AND THE PROPRIETARY PROPERTY OF STEWART CONNECTOR AND SHALL NOT BE REPRODUCED, COPIED, OR USED IN ANY MANNER WITHOUT PRIOR WRITTEN CONSENT OF STEWART CONNECTOR. ONE OR MORE U.S. PATENTS MAY APPLY TO THIS PRODUCT. FOR DETAILS, PLEASE VISIT: [HTTP://BELFUSE.COM/STEWART/STEWART\\_PATENTS/](http://BELFUSE.COM/STEWART/STEWART_PATENTS/)

TOOL NUMBER	-
PART NUMBER	See Chart
DRAWING NUMBER	CT999096

AutoCAD B Size

1

## X-ON Electronics

Largest Supplier of Electrical and Electronic Components

*Click to view similar products for [Heat Shrink Cable Boots & End Caps](#) category:*

*Click to view products by [Bel Fuse](#) manufacturer:*

Other Similar products are found below :

[577159N001](#) [645494-000](#) [CX4132-000](#) [687025-000](#) [705331-000](#) [718446-000](#) [725666N001](#) [729257-000](#) [F27131-000](#) [F85868-000](#) [770-003S106W2](#) [770-013210W1](#) [770-013311](#) [770-013312](#) [806542N001](#) [807507-000](#) [808059-000](#) [808362-000](#) [808618-000](#) [809125-000](#) [809130-000](#) [809218-000](#) [812014-000](#) [812047-000](#) [813166-000](#) [813767N002](#) [814741-000](#) [819117N001](#) [823026-000](#) [823070-000](#) [825002-000](#) [841189N001](#) [861471-000](#) [866647-000](#) [879515-000](#) [937577-000](#) [957073-000](#) [982033-2](#) [A77813-000](#) [R280576000](#) [D96192-000](#) [163549-000](#) [MTPSRBCL-C](#) [1954015-1](#) [200W531-3-0](#) [202A163-4-0-CS5067](#) [202A343-3-00-0](#) [202B221-13-0](#) [202B231-13-0](#) [202B563-25-07-0](#)