

Stacking Connector Jumpers and Assemblies



CIN::APSE® stacking connector jumpers are short flex PCB assemblies that are used for coplanar and right angle board to board connections. The jumpers in combination with the CIN::APSE® stacking connectors and hardware provide a full board to board connect system. This system allows rigid-flex-rigid PCB designs to be segmented. By segmenting the designs, modifications and repairs can be done without replacing the entire assembly.

The flex PCB jumpers can be used in flat and formed shapes up to 90°. These jumpers are intended to be assembled with the 25 and 51 positions CIN::APSE® stacking connectors. A stacking connector should be attached at each end of the jumper. The open side of the stacking connectors are then mounted to rigid PCBs. The flex jumpers can be customized for length, pin out and be impedance controlled for the application.



Features and Benefits

- Flexible material allows the same jumper to be used in coplanar, right angle, and 180° flips between rigid PCBs. The flex PCB jumpers can be used in flat and formed shapes up to 90°
- Designed to mate directly to Stacking Connectors, with all alignment holes and pads in position
- Allows for physical separation of rigid boards, reducing cost and easing rework, where many applications use rigid-flex-rigid designs that are complex, costly and not suitable for rework

Ordering Information

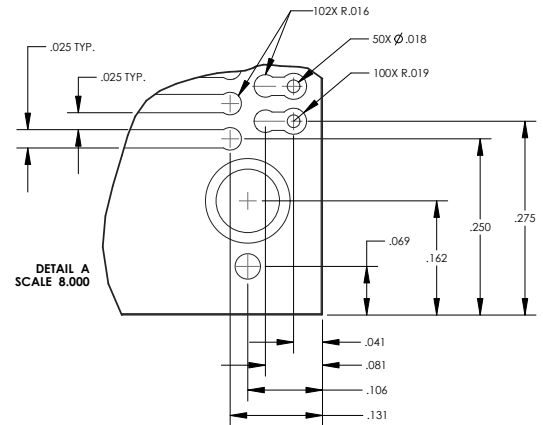
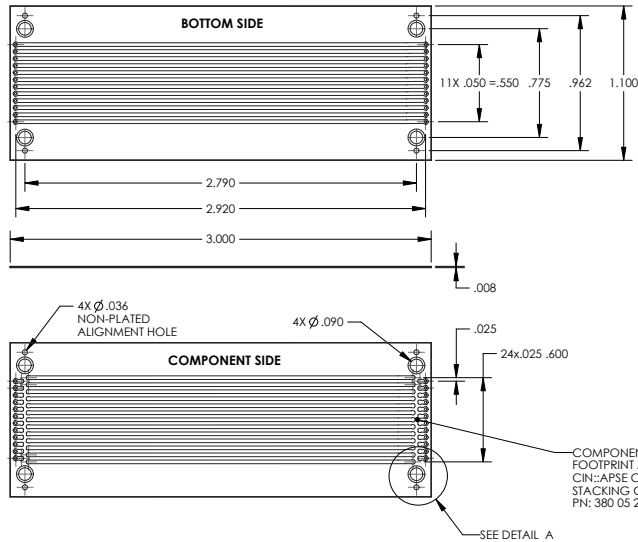
Stacking Jumper Part Number	Stacking Connector	Mounting Hardware
4631533093	3800520001	3180299351
		3180299352
		3180299353
		3180299354
4631533094	3800520013	3180299355
		3180299356
		3180299356

CIN::APSE® Stacking Connector Jumpers and Assemblies

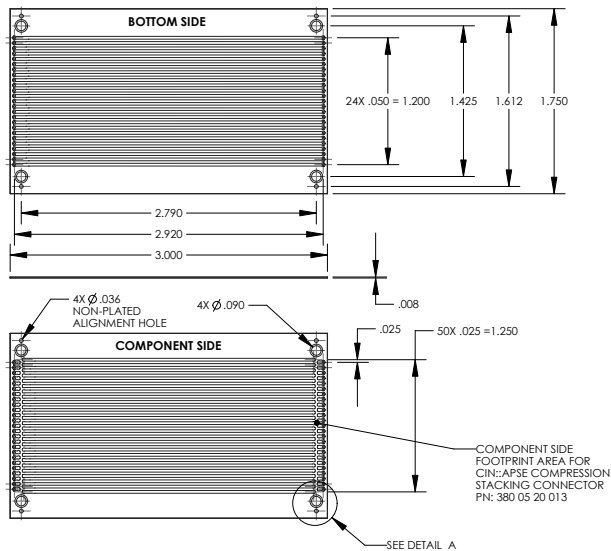
Technical Specifications

Stacking Jumper Part Number	Positions	Width		Length		Thickness		Mounting Holes		Alignment Holes	
		in.	mm	in.	mm	in.	mm	in.	mm	in.	mm
4631533093	25	1.10"	27.94	3.0"	76.2	0.008"	0.203	4x 0.090"	4x 2.286	4x 0.036"	4x 0.914
4631533094	51	1.75"	44.45	3.0"	76.2	0.008"	0.203	4x 0.090"	4x 2.286	4x 0.036"	4x 0.914

25 Position



51 Position



Asia Pacific
+86 21 5442 7668
ccs.asia.sales@as.cinch.com

Europe, Middle East & Africa
+44 (0) 1245 342060
CinchConnectivity@eu.cinch.com

North America
+1 630 705 6000
inquiry@us.cinch.com

belfuse.com/cinch

X-ON Electronics

Largest Supplier of Electrical and Electronic Components

Click to view similar products for [Board to Board & Mezzanine Connectors](#) category:

Click to view products by [Bel Fuse](#) manufacturer:

Other Similar products are found below :

[589158040000018](#) [MDF7C-18P-2.54DSA\(55\)](#) [FCN-230C068-11](#) [FCN-268F012-G/BD](#) [FCN-268F036-G/BD](#) [FCN-268M012-G/0D](#) [FCN-268M024-G/1D](#) [FCN-723J004/1](#) [MIS-048-01-F-D-DP-K](#) [832-10-034-10-001000](#) [FX4C-80S-1.27DSA](#) [FCN-214Q030-G/0](#) [FCN-234P048-G/0](#) [FCN-235D050-G/C](#) [210-93-314-41-105000](#) [2-22603-0](#) [MDF7-40DP-2.54DSA\(55\)](#) [AXG720047](#) [5031084030](#) [MIT-114-03-F-D-K](#) [55323-1519](#) [DF33-2P-3.3DSA\(24\)](#) [YFT-20-05-H-03-SB-K](#) [503308-3040](#) [026-6203-PDB](#) [027-6203-PDB](#) [069159702701000](#) [10123981-102LF](#) [101A10019X](#) [55650-0588-C](#) [68684-306](#) [75140-7012](#) [589159005003045](#) [063209](#) [194261-1](#) [FCN-268F024-G0D](#) [10124054-515LF](#) [68685-603](#) [8-1616154-3](#) [MIS-019-01-F-D](#) [589159005002045](#) [541371078](#) [IL-WX-10PB-HF-B-E1000E](#) [FCN-268M024-G/3D](#) [20021832-06016C1LF](#) [KX15-20KLDL-E1000E](#) [MDF7-16DP-2.54DSA\(55\)](#) [AXE810124](#) [FCN-214J100-G/0](#) [FCN-230C068-E/S](#)