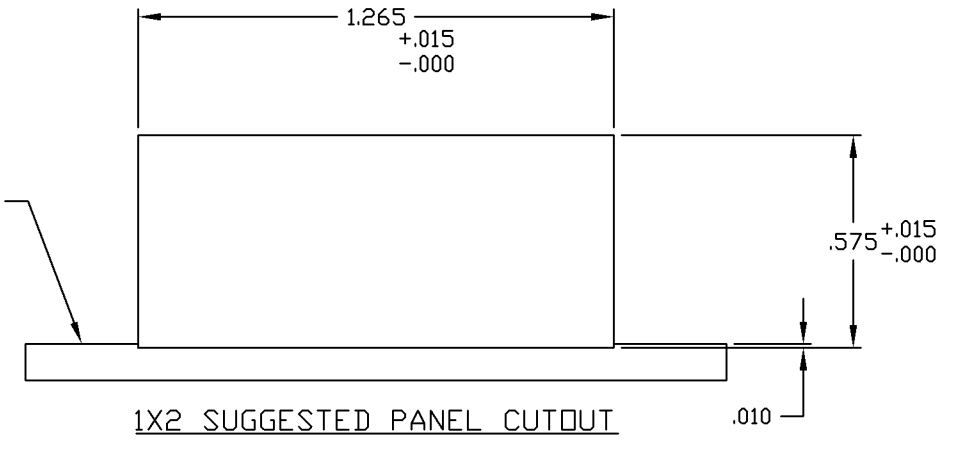
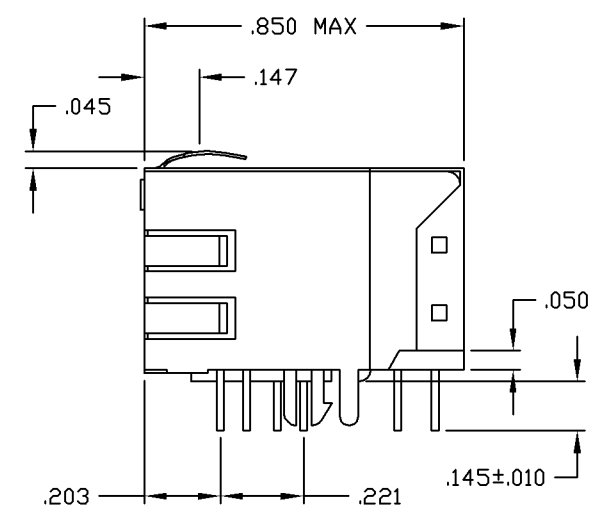
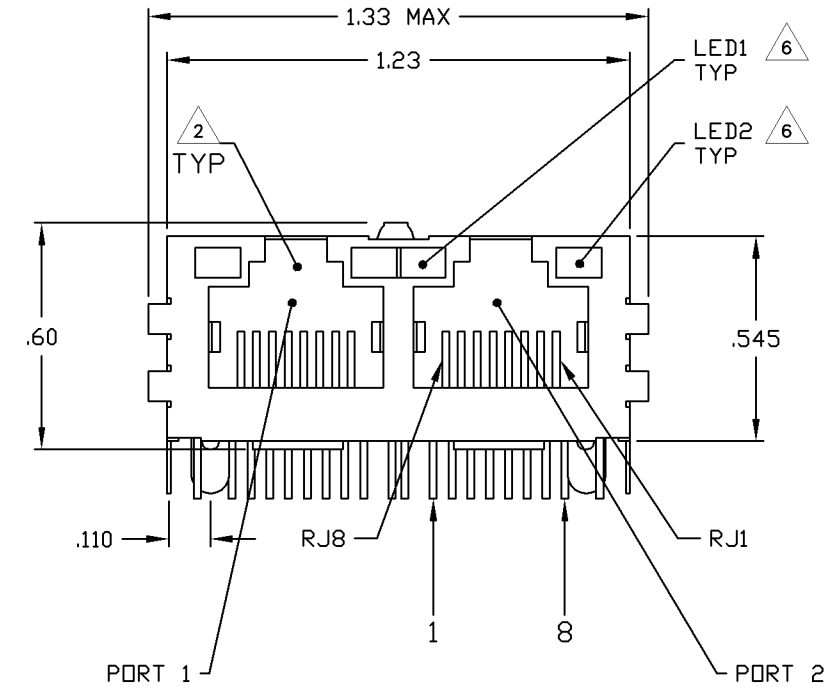
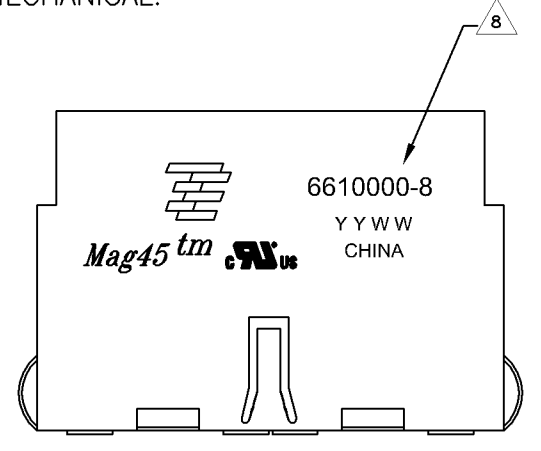


THIS DRAWING IS UNPUBLISHED. RELEASED FOR PUBLICATION BY TYCO ELECTRONICS CORPORATION. ALL RIGHTS RESERVED.

LOC	REV	DESCRIPTION	DATE	BY	APP'D
AA	22				
B		REV PER ECO-08-017416	27JUN2008	QL	TX

MECHANICAL:



- 1 MATERIALS:
 - HOUSING - THERMOPLASTIC PET POLYESTER FLAMMABILITY RATING UL 94V-0.
 - SHIELD - .010" THICK, C26800 BRASS PREPLATED WITH 30μINCH MIN SEMI-BRIGHT NICKEL.
 - SOLDER TABS POST DIPPED WITH 100μINCH MIN SAC SOLDER.
 - MOD JACK CONTACTS - 0.0157 X 0.018" PHOSPHOR BRONZE, 50μINCH MIN OVERALL NICKEL UNDERPLATE WITH SELECT 50μINCH MIN HARD GOLD FINISH PLATE. SOLDER TAILS WITH 100μINCH MIN MATTE TIN AND/OR SAC SOLDER DIP.
 - LIGHT EMITTING DIODE(LED) - DIFFUSED EPOXY LENS, .020" X .020" CARBON STEEL WIREFRAME LEADS PRE-PLATED WITH 80μINCH SILVER OVER 40μINCH NICKEL UNDERPLATE OVER 40μINCH COPPER UNDERPLATE. POST-PLATED WITH 100μIN MIN MATTE TIN AND/OR SAC SOLDER DIP OR PURE TIN SOLDER DIP.
- 2 RJ45 JACK CAVITY CONFORMS TO FCC RULES AND REGULATIONS PART 68, SUB PART F.
- 3 MAGNETICS
 - IMPEDANCE: 100 OHMS
 - TURNS RATIO (CHIP CABLE): TX = 1, RX = 1:1
 - OPEN CIRCUIT INDUCTANCE (OCL): 350μH MIN @100kHz, 0.1VRMS, 8mADC BIAS FROM 0°C TO 70°C, TX AND RX
 - PERFORMANCE @ 25°C:
 - INSERTION LOSS (IL): 1.1dB MAX FROM 0.5MHz TO 100MHz
 - RETURN LOSS (RL): 18dB MIN FROM 0.5MHz TO 30MHz
 - 18-20LOG(f/30)dB MIN FROM 30.1MHz TO 60MHz
 - 12dB MIN FROM 60.1MHz TO 80MHz
 - CROSSTALK ATTENUATION: 35dB MIN FROM 0.5MHz TO 40MHz
 - 33-20×LOG(f/50)dB MIN FROM 40.1MHz TO 100MHz
 - COMMON MODE REJECTION RATIO (CMRR): 30dB MIN FROM 0.5MHz TO 100MHz
 - ISOLATION VOLTAGE: COMPLIES WITH IEEE802.3 2002, PARA 23.5.1.1, ITEM b
- 4 C1 IS AN OPTIONAL IF NO CAPACITOR, TRACE IS CONTINUOUS. SEE TABLE FOR PRESENCE OF CAPACITOR IN DIFFERENT CONFIGURATIONS.
5. OPERATING TEMPERATURE FROM 0° TO +70°C
- 6 THE 250 OHM LED RESISTORS ARE OPTIONAL, PLEASE SEE CHART FOR PRESENCE OR ABSENCE OF LED RESISTORS. IF THE LED WITHOUT 250 OHM RESISTORS, LED IS DRIVEN WITH CONSTANT CURRENT AT APPROX 20mA.
 - LED COLOR: DOMINANT WAVELENGTH (λD): GREEN 568 nm TYP. @ IF=20mA
 - FORWARD VOLTAGE (VF): GREEN 2.2V TYP. @ IF=20mA
 - DOMINANT WAVELENGTH (λD): YELLOW 588 nm TYP. @ IF=20mA
 - FORWARD VOLTAGE (VF): YELLOW 2.1V TYP. @ IF=20mA
 - DOMINANT WAVELENGTH (λD): ORANGE 605 nm TYP. @ IF=20mA
 - FORWARD VOLTAGE (VF): ORANGE 2.05V TYP. @ IF=20mA
 - IF THE LED WITH 250 OHM RESISTORS, LED IS DRIVEN WITH 5V VOLTAGE AND THE MAX OPERATING CURRENT IS 20mA.
 - LED COLOR: DOMINANT WAVELENGTH (λD): GREEN 568 nm TYP. @ VF=5V
 - FORWARD CURRENT (IF): GREEN 12 mA TYP. @ VF=5V
 - DOMINANT WAVELENGTH (λD): YELLOW 588 nm TYP. @ VF=5V
 - FORWARD CURRENT (IF): YELLOW 13 mA TYP. @ VF=5V
- 7 INDICATED CONNECTIONS ARE FOR NIC CONFIGURATION. THE MAGNETICS ARE SYMMETRICAL AND SUPPORT AUTO-MDI/MDIX.
- 8 TYCO ELECTRONICS LOGO, PART NUMBER, DATE CODE, COUNTRY OF ORIGIN AND AGENCY APPROVAL MARKING IN APPROXIMATE LOCATION SHOWN.
9. THESE PARTS ARE RECOMMENDED FOR WAVE SOLDERING PROCESS, PEAK WAVE SOLDERING TEMPERATURE IS 265°C, 10SECONDS MAX.

YES	YES	GREEN	GREEN	6-6610000-1
YES	YES	GREEN	YELLOW	5-6610000-1
NO	NO	GREEN	YELLOW	6610000-8
LED RESISTOR	DECOUPLING CAPACITOR	LED1	LED2	PART NUMBER

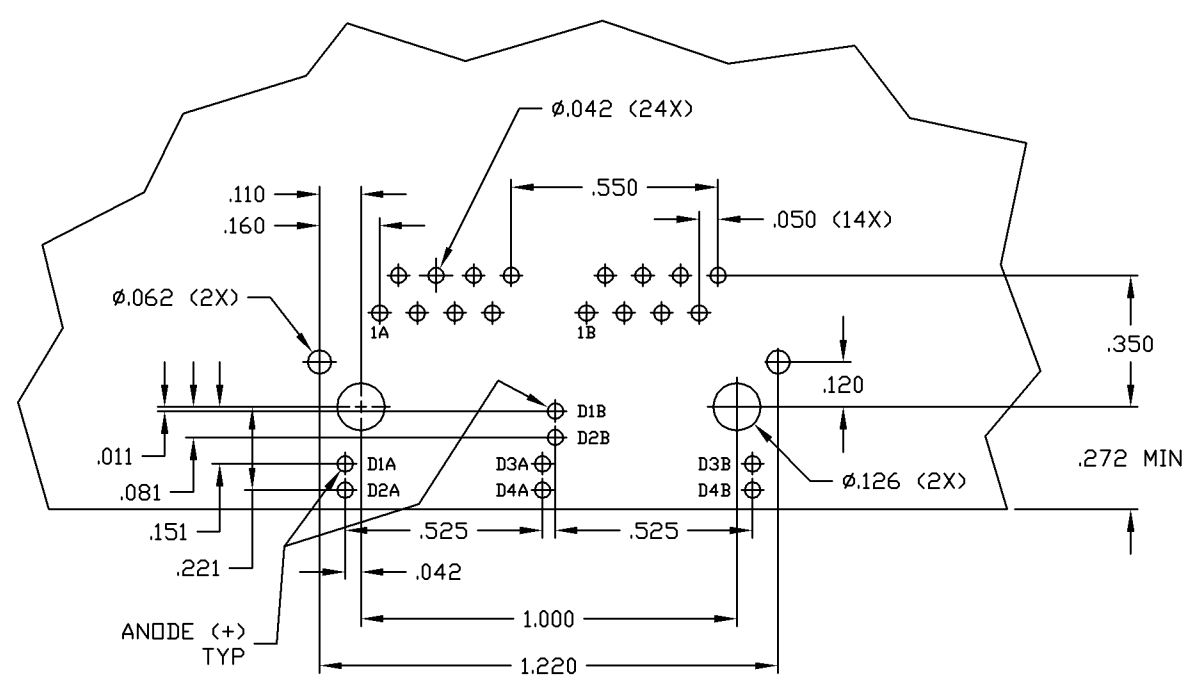
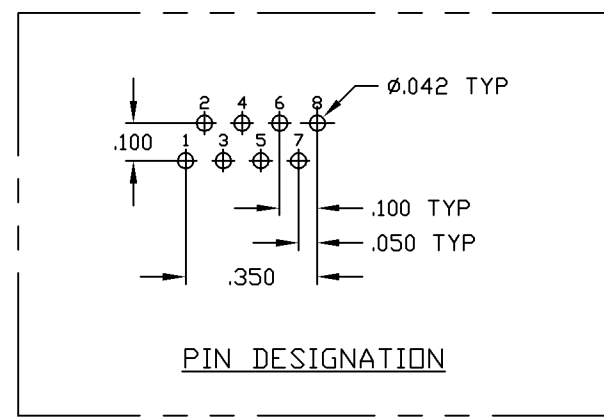
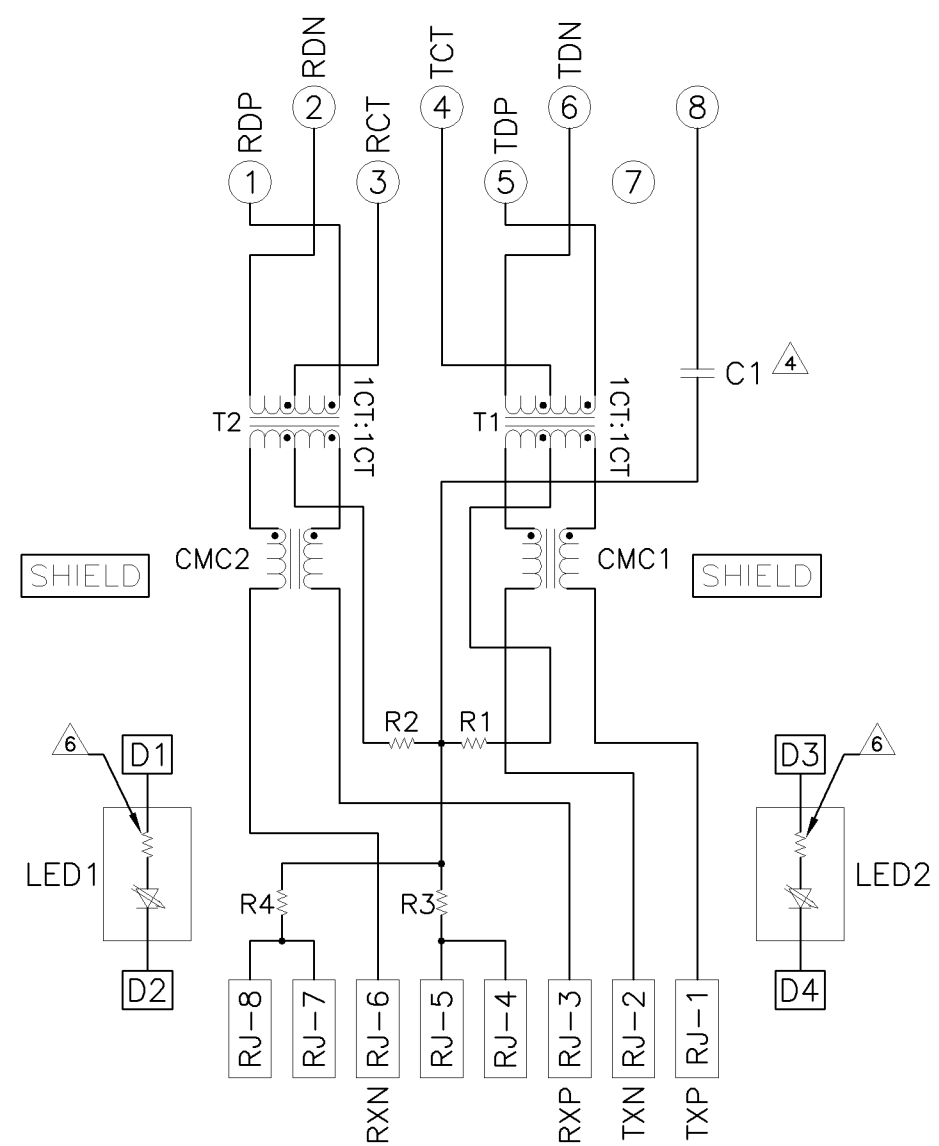
THIS DRAWING IS A CONTROLLED DOCUMENT.

DIMENSIONS: INCHES 0 PLC ± - 1 PLC ± .010 2 PLC ± .010 3 PLC ± .005 4 PLC ± - FINISH 1	TOLERANCES UNLESS OTHERWISE SPECIFIED: 0 PLC ± - 1 PLC ± .010 2 PLC ± .010 3 PLC ± .005 4 PLC ± - FINISH 1	DWG: VARELA - DOCKS DSK: D. FAROLE PRODUCT SPEC: 108-2100 APPLICATION SPEC: SIZE: A1 DATE CODE: 00779 DRAWING NO: C=6610000 RESTRICTED TO: CUSTOMER DRAWING	Tyco Electronics Corporation Tyco Electronics Changping, China 1X2 MAG45(TM) MODULAR JACK, 7N2 SCHEMATIC, 26 SERIES CIRCUIT, SHIELDED, WITH LEADS SCALE: 4:1 SHEET 1 OF 2 REV B
--	---	--	---

THIS DRAWING IS UNPUBLISHED. RELEASED FOR PUBLICATION.
 COPYRIGHT BY TYCO ELECTRONICS CORPORATION. ALL RIGHTS RESERVED.

LOG	DIST	REVISIONS			
AA	22	REV	DATE	BY	APPV
		1			
		SEE SHEET 1			

726 SERIES MAGNETIC CIRCUIT Δ 3/7



SUGGESTED PCB LAYOUT
(Component Side)

C1 = 1000pF, 2kV DECOUPLING CAPACITOR
 R1-R4 = 75 OHMS, 1/16W, 5% RESISTORS

THIS DRAWING IS A CONTROLLED DOCUMENT.		DRN L. VARELA - DOCKS	15MAR2005	Tyco Electronics Corporation Changping, China	
DIMENSIONS:		CHK D. FAROLE	15MAR2005	Tyco Electronics	
TOLERANCES UNLESS OTHERWISE SPECIFIED:		APPV D. FAROLE	NAME	1X2 MAG45(TM) MODULAR JACK, 7N2 SCHEMATIC, 26 SERIES CIRCUIT, SHIELDED, WITH LEADS	
INCHES		PRODUCT SPEC	108-2100	SIZE DATE CODE DRAWING NO	
0 PLG ± -		APPLICATION SPEC		A1 00779 C=6610000	
1 PLG ± .010		MATERIAL		RESTRICTED TO	
2 PLG ± .005		FINISH		SCALE 4:1 SHEET 2 OF 2 REV B	
3 PLG ± -					
4 PLG ± -					
ANGLES ± -					

X-ON Electronics

Largest Supplier of Electrical and Electronic Components

Click to view similar products for [Modular Connectors / Ethernet Connectors](#) category:

Click to view products by [Bel Fuse](#) manufacturer:

Other Similar products are found below :

[8949-H88/06BLKA/SN](#) [74441-0010/BKN](#) [MP1010RX-1000](#) [MP44RX-1000](#) [PHJ-4P4C-1-V-4](#) [PHP-6P6C-5](#) [GAX-3-66](#) [GAX-8-62](#) [GDCX-PA-66-50](#) [GDCX-PN-64](#) [GDCX-PN-66](#) [GDCX-PN-66-50](#) [GDLX-A-66](#) [GDLX-N-66](#) [GDLX-S-66](#) [GDLX-S-88K](#) [GDLX-SMT-S-88](#) [GDTX-S-88-50](#) [GDX-PA-1010](#) [GLX-N-1010M-BLK](#) [GLX-S-88M-BLK](#) [GMX-N-1010](#) [GMX-S-1010](#) [GMX-S-66](#) [GMX-SMT4-N-88](#) [GPX-2-64](#) [GSGX-N-2-88](#) [GSGX-N-4-88](#) [GSX-NS2-88-3.05](#) [GSX-NS2-88-3.05-50](#) [GSX-NS-88-3.05-50](#) [PT-108A-8C-UL](#) [PT-J951-8C](#) [PTS-J531-8CS-50UL](#) [1-1775629-2](#) [A-2014-0-4](#) [GWLX-S-88-GR](#) [GWLX-S9-88-YG](#) [DC-1021-8-WH-6](#) [1300530003](#) [1324640-4](#) [RJ11FTVC2G](#) [RJ11FTVC2N](#) [RJFTVX2SA1G](#) [132764-001](#) [1413235](#) [MP88X-1000](#) [MPS88RX-5000](#) [E5288-S000K3-L](#) [E5908-15A242-L](#)