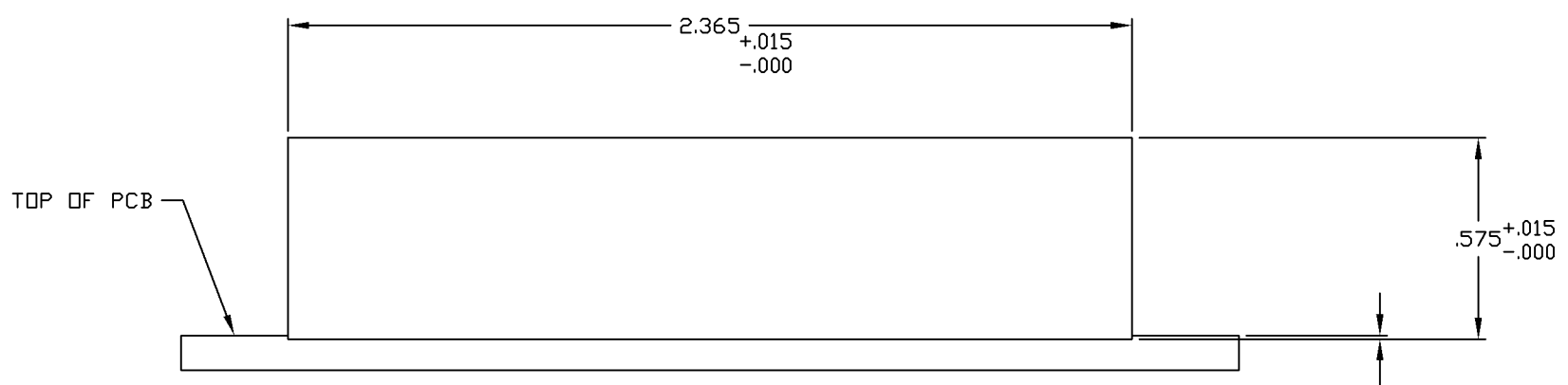
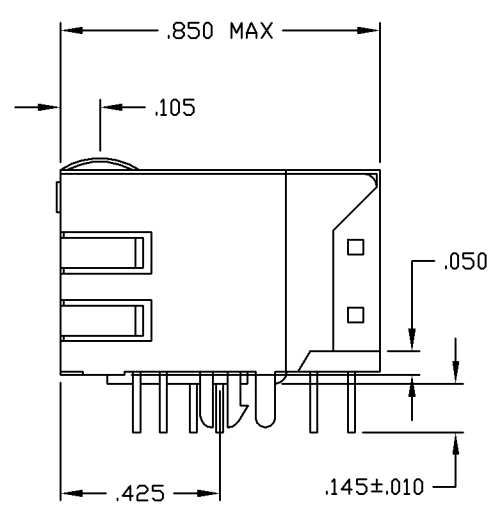
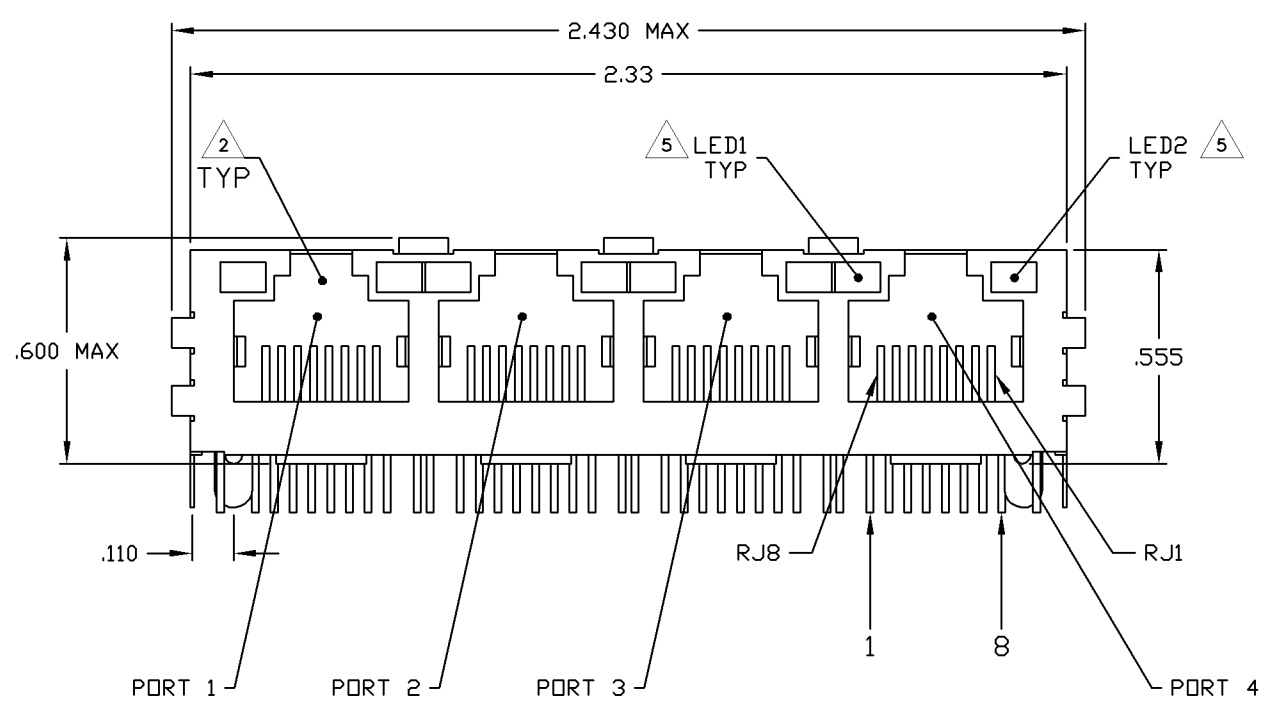
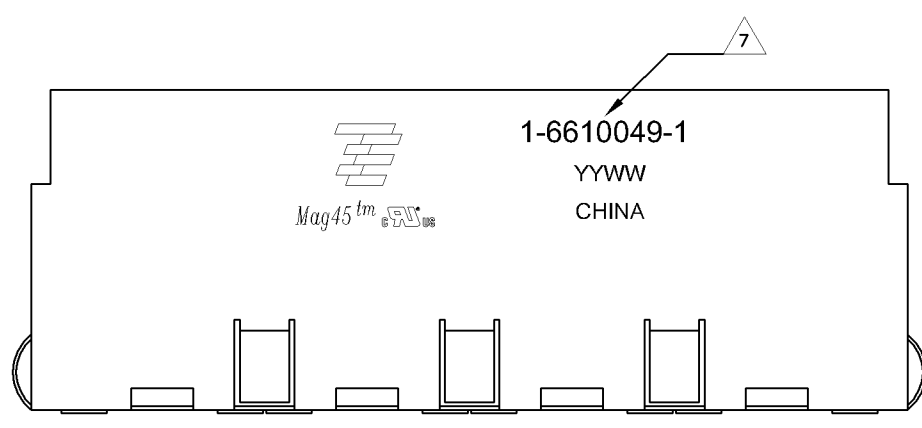


THIS DRAWING IS UNPUBLISHED. RELEASED FOR PUBLICATION
 BY TYCO ELECTRONICS CORPORATION. ALL RIGHTS RESERVED.

LOC		DST		REVISIONS			
#	LN	DESCRIPTION	DATE	BY	APP		
C		REV PER ECO-08-021857	02APR2008	VL	TX		

MECHANICAL:



1X4 SUGGESTED PANEL CUTOUT

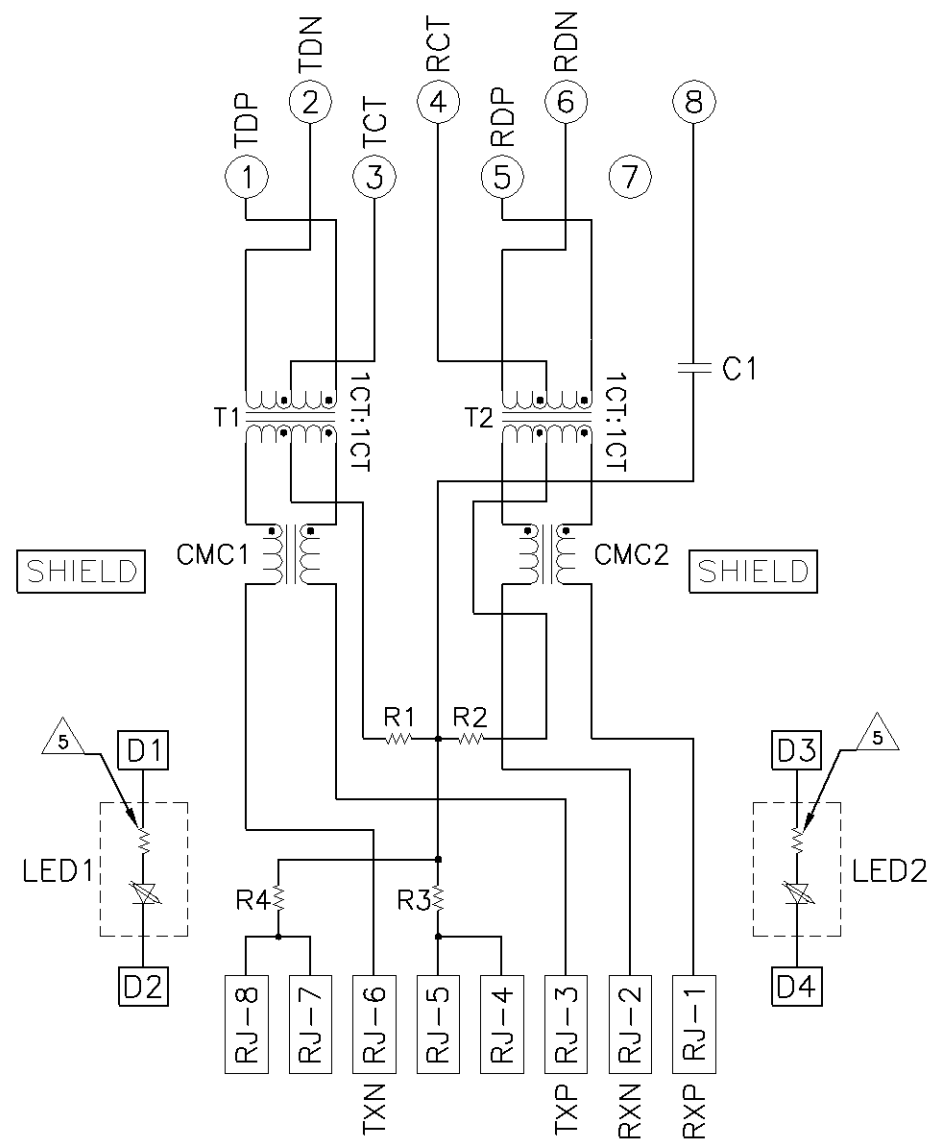
- NOTES:
- MATERIALS:
 - HOUSING - THERMOPLASTIC PET POLYESTER FLAMMABILITY RATING UL 94V-0
 - SHIELD - .010" THICK, C26800 BRASS PREPLATED WITH 30μINCH MIN SEMI-BRIGHT NICKEL. SOLDER TABS POST DIPPED WITH 100μINCH MIN SAC SOLDER.
 - MOD JACK CONTACTS - 0.0157 X 0.018" PHOSPHOR BRONZE, 50μINCH MIN OVERALL NICKEL UNDERPLATE WITH SELECT 50μINCH MIN HARD GOLD FINISH PLATE. SOLDER TAILS WITH 100μINCH MIN MATTE TIN AND/OR SAC SOLDER DIP.
 - LIGHT EMITTING DIODE(LED) - DIFFUSED EPOXY LENS, .020" X .020" CARBON STEEL WIREFRAME LEADS PRE-PLATED WITH 80μINCH SILVER OVER 40μINCH NICKEL UNDERPLATE OVER 40μINCH COPPER UNDERPLATE. POST-PLATED WITH 100μINCH MIN MATTE TIN AND/OR SAC SOLDER DIP OR PURE TIN SOLDER DIP.
 - RJ45 JACK CAVITY CONFORMS TO FCC RULES AND REGULATIONS PART 68, SUB PART F.
 - MAGNETICS
 - IMPEDANCE: 100 OHMS
 - TURNS RATIO (CHIP CABLE): TX = 1:1, RX = 1:1
 - OPEN CIRCUIT INDUCTANCE (OCL): 350μH MIN @100kHz, 0.1VRMS, 8mADC BIAS FROM 0°C TO 70°C, TX AND RX
 - PERFORMANCE @ 25°C:
 - INSERTION LOSS (IL): 1.1dB MAX FROM 0.5MHz TO 100MHz
 - RETURN LOSS (RL): 18dB MIN FROM 0.5MHz TO 30MHz
 - 18-20LOG(f/30)dB MIN FROM 30.1MHz TO 60MHz
 - 12dB MIN FROM 60.1MHz TO 80MHz
 - CROSSTALK ATTENUATION: 35dB MIN FROM 0.5MHz TO 40MHz
 - 33-20*LOG(f/50)dB MIN FROM 40.1MHz TO 100MHz
 - COMMON MODE REJECTION RATIO (CMRR): 30dB MIN FROM 0.5MHz TO 100MHz
 - ISOLATION VOLTAGE: COMPLIES WITH IEEE802.3 2002, PARA 23.5.11, ITEM b.
 - OPERATING TEMPERATURE: FROM 0°C TO +70°C.
 - LED IS DRIVEN WITH 5V VOLTAGE AND THE MAX OPERATING CURRENT IS 20mA.
 LED COLOR : DOMINANT WAVELENGTH (λD): GREEN 568 nm TYP. at VF=5V
 FORWARD CURRENT (IF): GREEN 12 mA TYP. at VF=5V
 DOMINANT WAVELENGTH (λD): YELLOW 588 nm TYP. at VF=5V
 FORWARD CURRENT (IF): YELLOW 13 mA TYP. at VF=5V
 - INDICATED CONNECTIONS ARE FOR HUB CONFIGURATION. HOWEVER, THE MAGNETICS ARE SYMMETRICAL TO ACCOMMODATE CONNECTIONS FOR EITHER NIC OR HUB CONFIGURATION, OR AUTO-MDI/MDIX.
 - TYCO ELECTRONICS LOGO, PART NUMBER, DATE CODE, COUNTRY OF ORIGIN AND AGENCY APPROVAL MARKING IN APPROXIMATE LOCATION SHOWN.
 - THESE PARTS ARE RECOMMENDED FOR WAVE SOLDERING PROCESS, PREHEAT TEMPERATURE IS 120°C TO 160°C, 120 SECONDS TO 180 SECONDS, PEAK WAVE SOLDERING TEMPERATURE IS 260°C MAX, 10 SECONDS MAX.

YES	GREEN	YELLOW	5-6610049-1
NO	GREEN	GREEN	1-6610049-1
DECOUPLING CAPACITOR	LED1	LED2	PART NUMBER

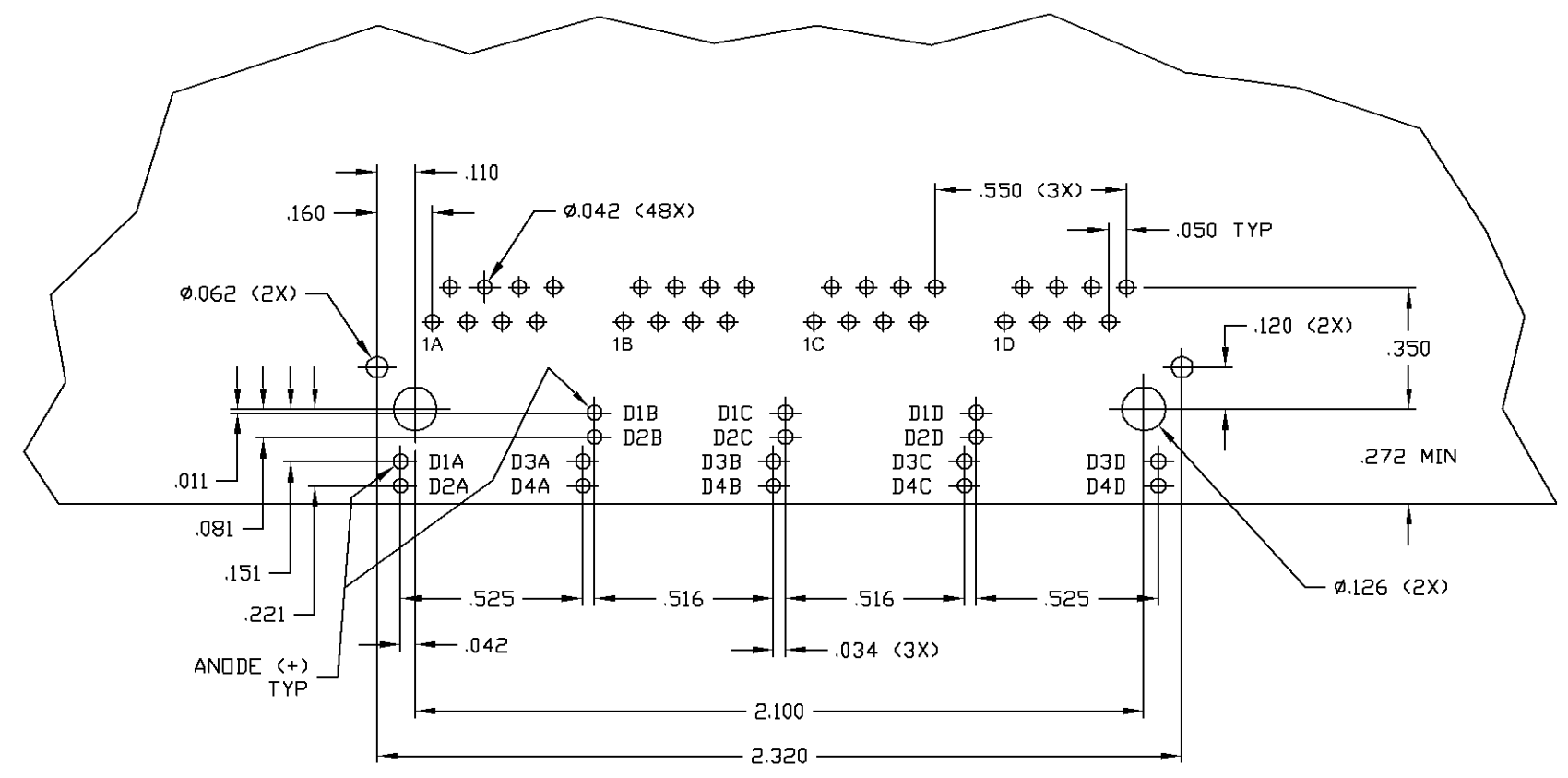
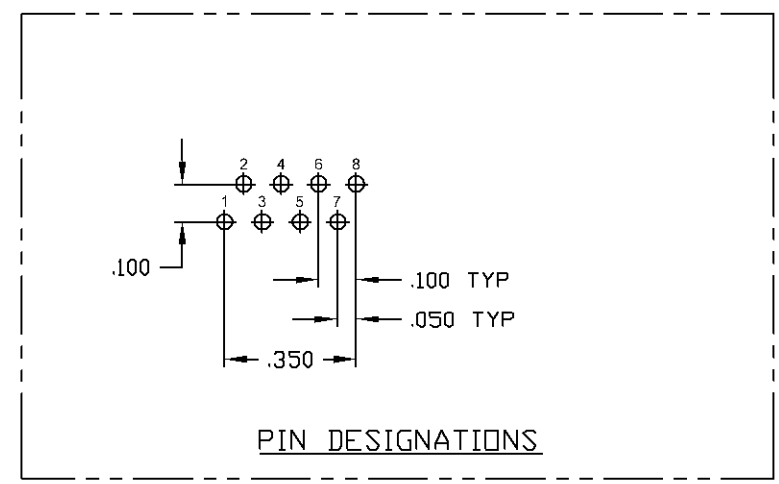
THIS DRAWING IS A CONTROLLED DOCUMENT.

DIMENSIONS: INCHES 0 PLG ± - 1 PLG ± - 2 PLG ± .010 3 PLG ± .005 4 PLG ± - ANGLES ± - FINISH ± -	TOLERANCES UNLESS OTHERWISE SPECIFIED: 0 PLG ± - 1 PLG ± - 2 PLG ± .010 3 PLG ± .005 4 PLG ± - ANGLES ± - FINISH ± -	16MAR2005 L. VARELA - DOCK5 16MAR2005 D. FAROLE 16MAR2005 D. FAROLE 16MAR2005 NAME PRODUCT SPEC 108-2100 APPLICATION SPEC - WEIGHT - CUSTOMER DRAWING	Tyco Electronics Corporation ChangPing, China Tyco Electronics 1X4 MAG45(TM) MODULAR JACK, 7H2 SCHEMATIC, 66 SERIES CIRCUIT, SHIELDED, OPTIONAL DECOUPLING CAPACITOR, RESISTOR LEADS SIZE: 108-2100 DATE CODE: 00779 DRAWING NO: 6610049 RESTRICTED TO: - SCALE: 4:1 SHEET: 1 of 2 REV: C
--	---	---	---


766 SERIES MAGNETIC CIRCUIT 



C1 = 1000pF, 2kV CAPACITOR
 R1-R4 = 75 OHMS, 1/16 W RESISTOR



SUGGESTED PCB LAYOUT
 (COMPONENT SIDE)

THIS DRAWING IS A CONTROLLED DOCUMENT.		DR: VARELA - 10/14/2009	DESIGNED BY: D. FAROLE	DATE: 10/14/2009	NAME: D. FAROLE
DIMENSIONS: INCHES		TOLERANCES UNLESS OTHERWISE SPECIFIED:		PRODUCT SPEC: 108-2100	
		Ø PLG ± .010	Ø PLG ± .005	Ø PLG ± .005	Ø PLG ± .005
MATERIAL: -		FINISH: -		WEIGHT: -	
CUSTOMER DRAWING		SCALE: 4:1	SHEET: 2 OF 2	REV: C	

X-ON Electronics

Largest Supplier of Electrical and Electronic Components

Click to view similar products for [Modular Connectors / Ethernet Connectors](#) category:

Click to view products by [Bel Fuse](#) manufacturer:

Other Similar products are found below :

[8949-H88/06BLKA/SN](#) [74441-0010/BKN](#) [MP1010RX-1000](#) [MP44RX-1000](#) [PHJ-4P4C-1-V-4](#) [PHP-6P6C-5](#) [GAX-3-66](#) [GAX-8-62](#) [GDCX-PA-66-50](#) [GDCX-PN-64](#) [GDCX-PN-66](#) [GDCX-PN-66-50](#) [GDLX-A-66](#) [GDLX-N-66](#) [GDLX-S-66](#) [GDLX-S-88K](#) [GDLX-SMT-S-88](#) [GDTX-S-88-50](#) [GDX-PA-1010](#) [GLX-N-1010M-BLK](#) [GLX-S-88M-BLK](#) [GMX-N-1010](#) [GMX-S-1010](#) [GMX-S-66](#) [GMX-SMT4-N-88](#) [GPX-2-64](#) [GSGX-N-2-88](#) [GSGX-N-4-88](#) [GSX-NS2-88-3.05](#) [GSX-NS2-88-3.05-50](#) [GSX-NS-88-3.05-50](#) [PT-108A-8C-UL](#) [PT-J951-8C](#) [PTS-J531-8CS-50UL](#) [1-1775629-2](#) [A-2014-0-4](#) [GWLX-S-88-GR](#) [GWLX-S9-88-YG](#) [DC-1021-8-WH-6](#) [1300530003](#) [1324640-4](#) [RJ11FTVC2G](#) [RJ11FTVC2N](#) [RJFTVX2SA1G](#) [132764-001](#) [1413235](#) [MP88X-1000](#) [MPS88RX-5000](#) [E5288-S000K3-L](#) [E5908-15A242-L](#)