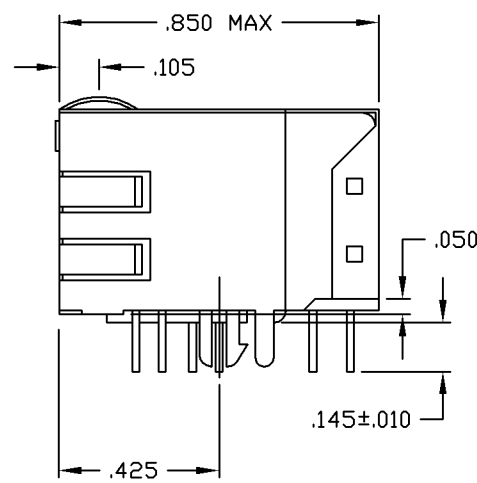
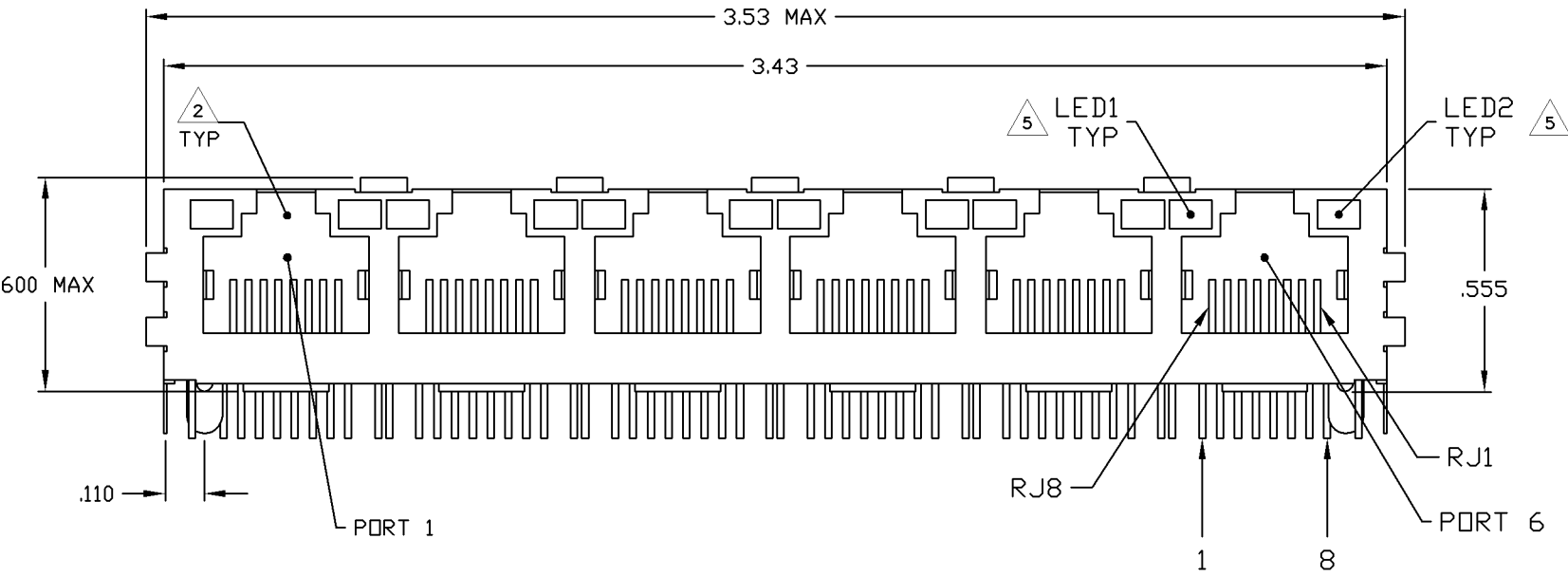
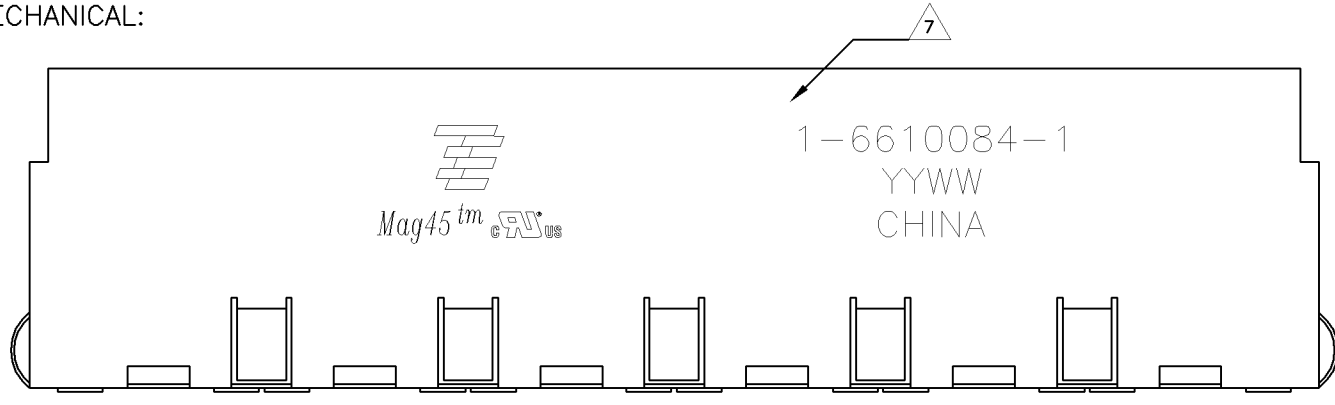
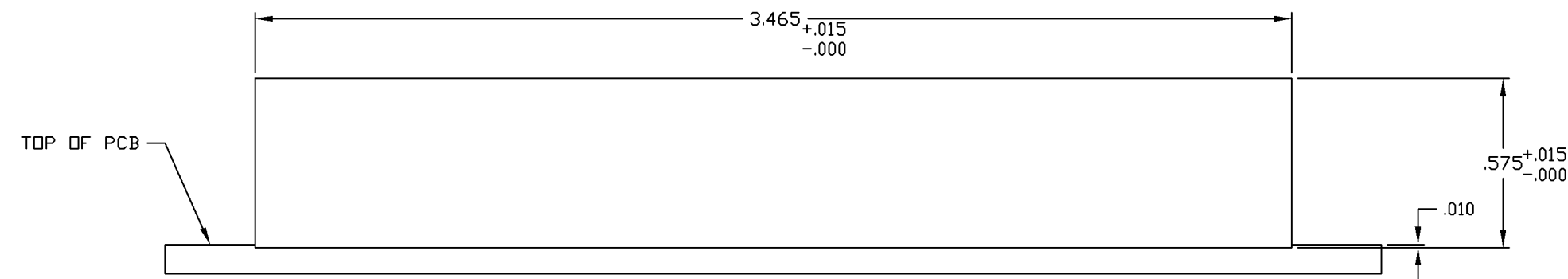


LOC		DWT		REVISIONS			
#	LN	DESCRIPTION	DATE	BY	APP'D	TX	
AA	22	REV PER ECO-08-021518	12APR2008	DC			

MECHANICAL:



- 1 MATERIALS:
 -HOUSING - THERMOPLASTIC PET POLYESTER FLAMMABILITY RATING UL 94V-0
 -SHIELD - 0.010" THICK, C26800 BRASS PREPLATED WITH 30μINCH MIN SEMI-BRIGHT NICKEL SOLDER TABS POST DIPPED WITH 100μINCH MIN SAC SOLDER.
 -MOD JACK CONTACTS - 0.0157" X 0.018" PHOSPHOR BRONZE, 50μINCH MIN OVERALL NICKEL UNDERPLATE WITH SELECT 50μINCH MIN HARD GOLD FINISH PLATE.
 SOLDER TAILS WITH 100μINCH MIN MATTE TIN AND/OR SAC SOLDER DIP.
 -LIGHT EMITTING DIODE(LED) - DIFFUSED EPOXY LENS, 0.020" X 0.020" CARBON STEEL WIREFRAME LEADS PRE-PLATED WITH 80μINCH SILVER OVER 40μINCH NICKEL UNDERPLATE OVER 40μINCH COPPER UNDERPLATE, POST-PLATED WITH 100μINCH MIN MATTE TIN AND/OR SAC SOLDER DIP OR PURE TIN SOLDER DIP.
- 2 RJ45 JACK CAVITY CONFORMS TO FCC RULES AND REGULATIONS PART 68, SUB PART F.
- 3 MAGNETICS
 -IMPEDANCE: 100 OHMS
 -TURNS RATIO (CHIP: CABLE): TX = 11, RX = 11
 -OPEN CIRCUIT INDUCTANCE (OCL): 350μH MIN @100kHz, 0.1VRMS, 8mADC BIAS FROM 0°C TO 70°C, TX AND RX
 -PERFORMANCE @ 25°C:
 INSERTION LOSS (IL): 1.1dB MAX FROM 0.5MHz TO 100MHz
 RETURN LOSS (RL): 18dB MIN FROM 0.5MHz TO 30MHz
 18-20LOG(f/30)dB MIN FROM 30.1MHz TO 60MHz
 12dB MIN FROM 60.1MHz TO 80MHz
 CROSSTALK ATTENUATION: 35dB MIN FROM 0.5MHz TO 40MHz
 33-20LOG(f/50)dB MIN FROM 40.1MHz TO 100MHz
 COMMON MODE REJECTION RATIO (CMRR): 30dB MIN FROM 0.5MHz TO 100MHz
 -ISOLATION VOLTAGE: COMPLIES WITH IEEE802.3 2002, PARA 23.5.1.1, ITEM b.
4. OPERATING TEMPERATURE: FROM 0°C TO +70°C.
- 5 THE 250 OHM LED RESISTORS ARE OPTIONAL, PLEASE SEE CHART FOR PRESENCE OR ABSENCE OF LED RESISTORS. IF THE LED WITHOUT 250 OHM RESISTORS, LED IS DRIVEN WITH CONSTANT CURRENT AT APPROX 20mA LED COLOR:
 DOMINANT WAVELENGTH (λD): GREEN 568 nm TYP. at IF=20mA
 FORWARD VOLTAGE (VF): GREEN 2.2V TYP. at IF=20mA
 DOMINANT WAVELENGTH (λD): YELLOW 588 nm TYP. at IF=20mA
 FORWARD VOLTAGE (VF): YELLOW 2.1V TYP. at IF=20mA
 IF THE LED WITH 250 OHM RESISTORS, LED IS DRIVEN WITH 5V VOLTAGE AND THE MAX OPERATING CURRENT IS 20mA LED COLOR:
 DOMINANT WAVELENGTH (λD): GREEN 568 nm TYP. at VF=5V
 FORWARD CURRENT (IF): GREEN 12 mA TYP. at VF=5V
 DOMINANT WAVELENGTH (λD): YELLOW 588 nm TYP. at VF=5V
 FORWARD CURRENT (IF): YELLOW 13 mA TYP. at VF=5V
- 6 INDICATED CONNECTIONS ARE FOR A HUB CONFIGURATION. THE MAGNETICS ARE ASYMMETRICAL AND DO NOT SUPPORT AUTO-MDIX.
- 7 TYCO ELECTRONICS LOGO, PART NUMBER, DATE CODE, COUNTRY OF ORIGIN AND AGENCY APPROVAL MARKING IN APPROXIMATE LOCATION SHOWN.
8. THESE PARTS ARE RECOMMENDED FOR WAVE SOLDERING PROCESS, PREHEAT TEMPERATURE IS 120°C TO 160°C, 120 SECONDS TO 180 SECONDS, PEAK WAVE SOLDERING TEMPERATURE IS 260°C MAX, 10 SECONDS MAX.



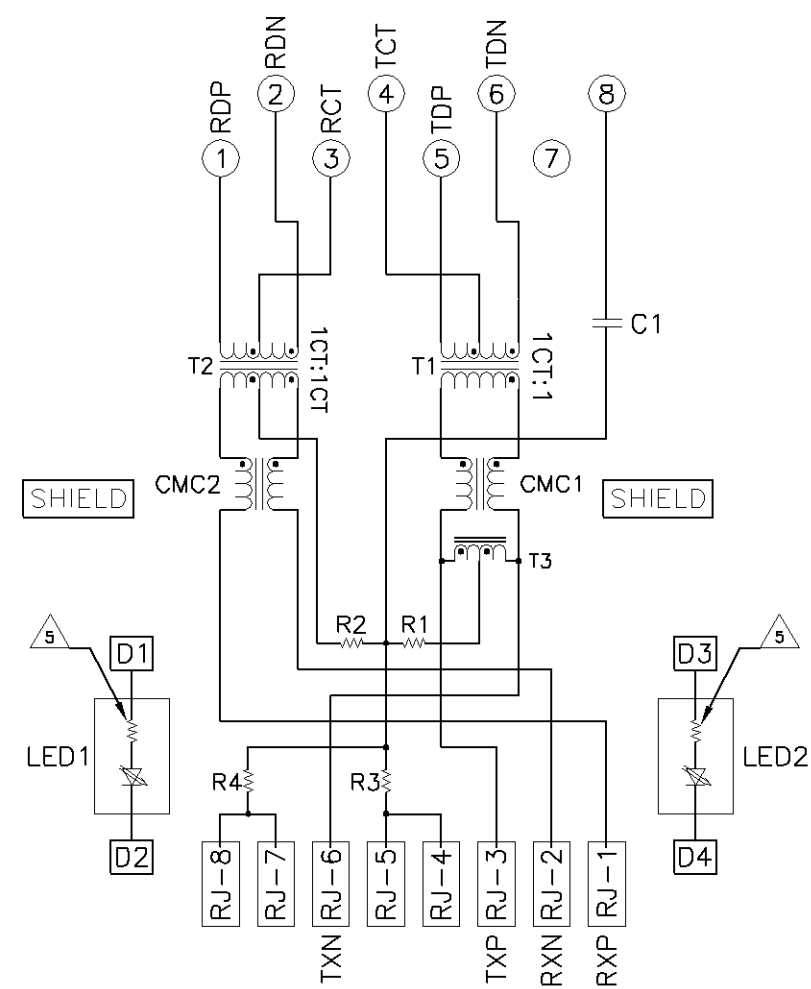
1X6 SUGGESTED PANEL CUTOUT

YES	GREEN	YELLOW	5-6610084-1
NO	GREEN	GREEN	1-6610084-1
2KV DECOUPLING CAPACITOR	LED1	LED2	PART NUMBER

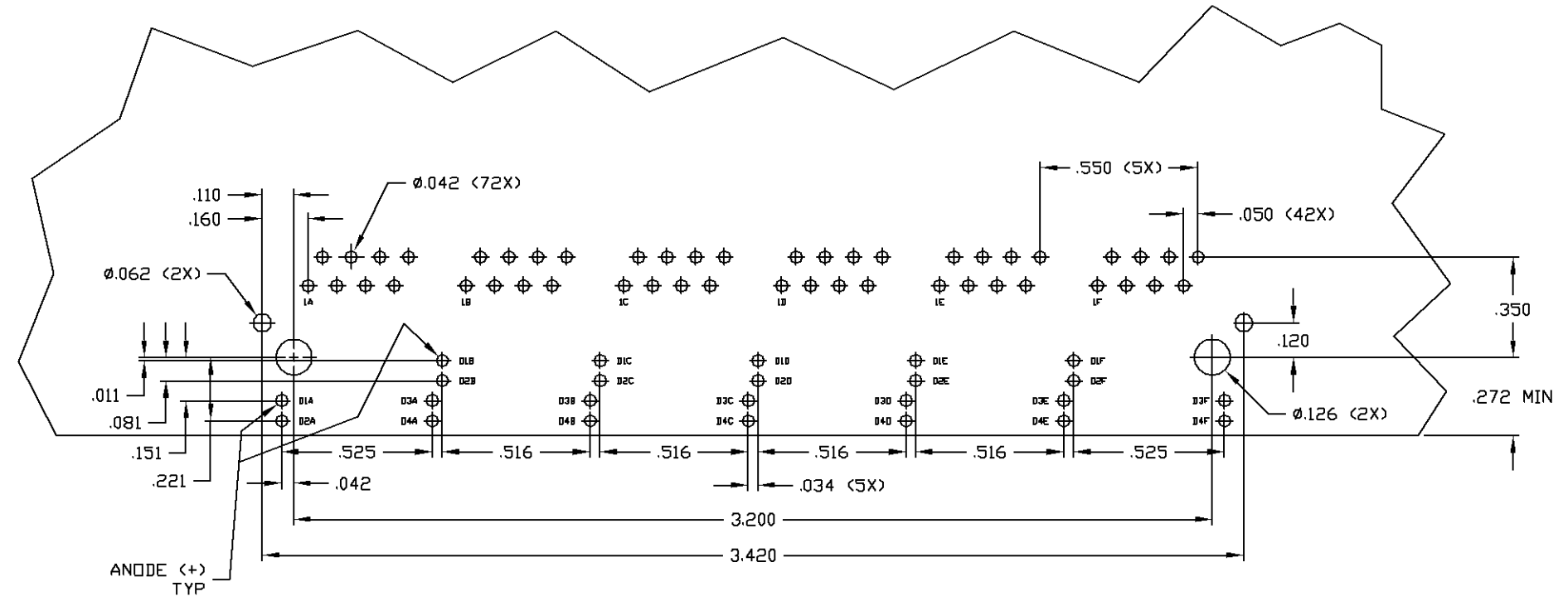
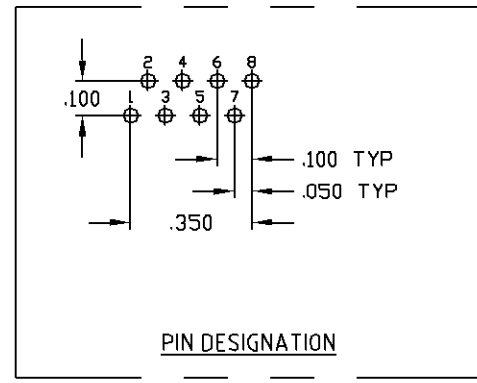
THIS DRAWING IS A CONTROLLED DOCUMENT.

DESIGNED BY: L. VARELA - DOCKS	DATE: 17MAR2005	BY: Tyco Electronics Corporation
CHECKED BY: D. FAROLE	DATE: 17MAR2005	ChangPing, China
APPROVED BY: D. FAROLE	DATE: 17MAR2005	
PRODUCT SPEC: 108-2100	NAME: 1X6 MAC45(TM) MODULAR JACK, 7H5 SCHEMATIC, 54 SERIES CIRCUIT, OPTIONAL DECOUPLING CAPACITOR, SHIELDED, WITH RESISTOR LEADS	
APPLICATION SPEC:	SIZE: A1	DATE CODE: 00779
MATERIAL: 1	FINISH: 1	DRIVING NO: 6610084
WEIGHT:	SCALE: 4:1	SHEET: 1 of 2
CUSTOMER DRAWING		REV: C

754 SERIES MAGNETIC CIRCUIT 3 6



C1 = 1000pF, 2kV CAPACITOR
 R1-R4 = 75 OHMS, 1/16W RESISTORS



SUGGESTED PCB LAYOUT
 (Component Side)

THIS DRAWING IS A CONTROLLED DOCUMENT.		REV L. VARELA - 17MAR2009	Tyco Electronics Tyco Electronics Corporation	
D. FAROLE		17MAR2009	ChangPing, China	
D. FAROLE		17MAR2009	NAME	
PRODUCT SPEC		1X6 MAG45(TN) MODULAR JACK, 7H5 SCHEMATIC, 54 SERIES CIRCUIT, OPTIONAL DECOUPLING CAPACITOR, SHIELDED, WITH RESISTOR LEDS		
APPLICATION SPEC		108-2100		
MATERIAL		SIZE	GAGE CODE	DRAWING NO
FINISH		A1	00779	C=6610084
		CUSTOMER DRAWING		RESTRICTED TO
		SCALE	SHEET	REV
		4:1	2	2 C

X-ON Electronics

Largest Supplier of Electrical and Electronic Components

Click to view similar products for [Modular Connectors / Ethernet Connectors](#) category:

Click to view products by [Bel Fuse](#) manufacturer:

Other Similar products are found below :

[8949-H88/06BLKA/SN](#) [74441-0010/BKN](#) [MP1010RX-1000](#) [MP44RX-1000](#) [PHJ-4P4C-1-V-4](#) [PHP-6P6C-5](#) [GAX-3-66](#) [GAX-8-62](#) [GDCX-PA-66-50](#) [GDCX-PN-64](#) [GDCX-PN-66](#) [GDCX-PN-66-50](#) [GDLX-A-66](#) [GDLX-N-66](#) [GDLX-S-66](#) [GDLX-S-88K](#) [GDLX-SMT-S-88](#) [GDTX-S-88-50](#) [GDX-PA-1010](#) [GLX-N-1010M-BLK](#) [GLX-S-88M-BLK](#) [GMX-N-1010](#) [GMX-S-1010](#) [GMX-S-66](#) [GMX-SMT4-N-88](#) [GPX-2-64](#) [GSGX-N-2-88](#) [GSGX-N-4-88](#) [GSX-NS2-88-3.05](#) [GSX-NS2-88-3.05-50](#) [GSX-NS-88-3.05-50](#) [PT-108A-8C-UL](#) [PT-J951-8C](#) [PTS-J531-8CS-50UL](#) [1-1775629-2](#) [A-2014-0-4](#) [GWLX-S-88-GR](#) [GWLX-S9-88-YG](#) [DC-1021-8-WH-6](#) [1300530003](#) [1324640-4](#) [RJ11FTVC2G](#) [RJ11FTVC2N](#) [RJFTVX2SA1G](#) [132764-001](#) [1413235](#) [MP88X-1000](#) [MPS88RX-5000](#) [E5288-S000K3-L](#) [E5908-15A242-L](#)