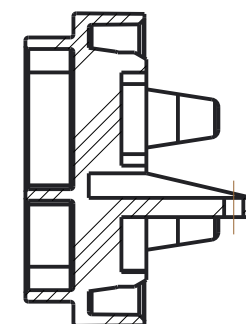
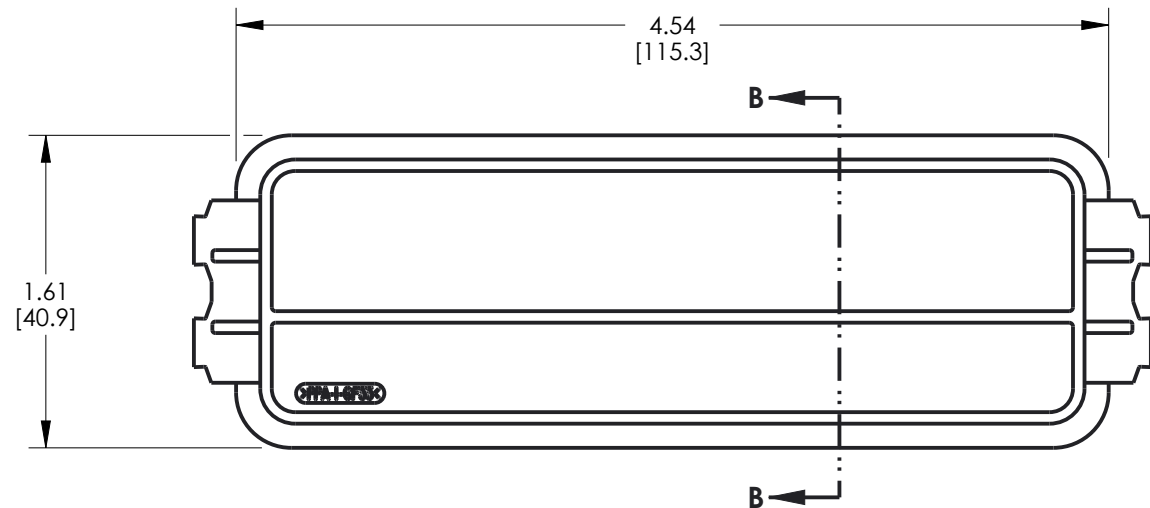


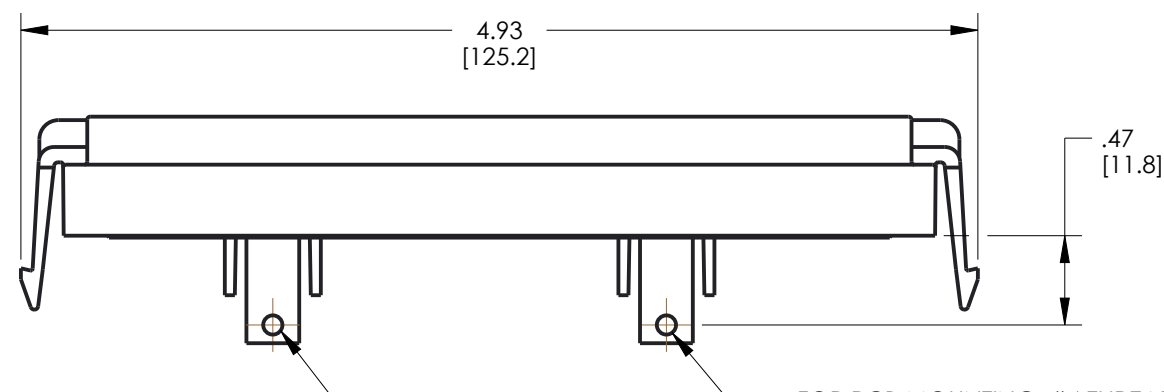
MODICE ME BLANK HEADER
PART NO. 581000055

DRAWING REVISIONS
 (RELEASE DATE ON FILE)

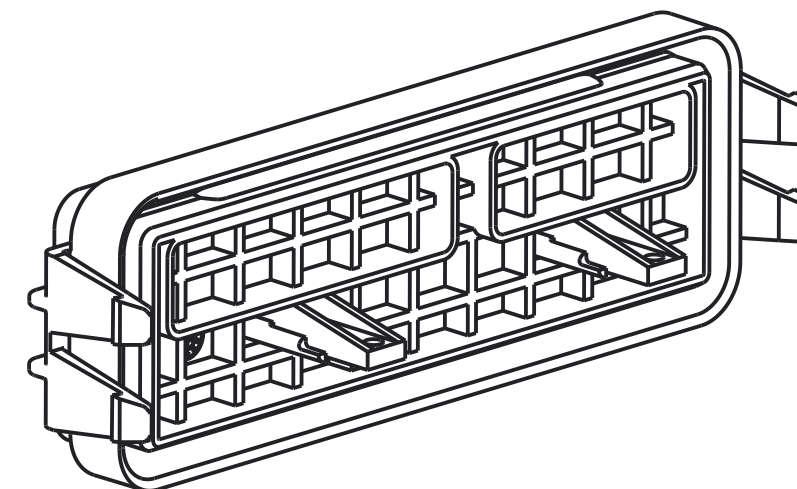
REV	DOCUMENT	APP	APPROVAL DATE
C	CO 3274	KR	7/18/16



SECTION B-B

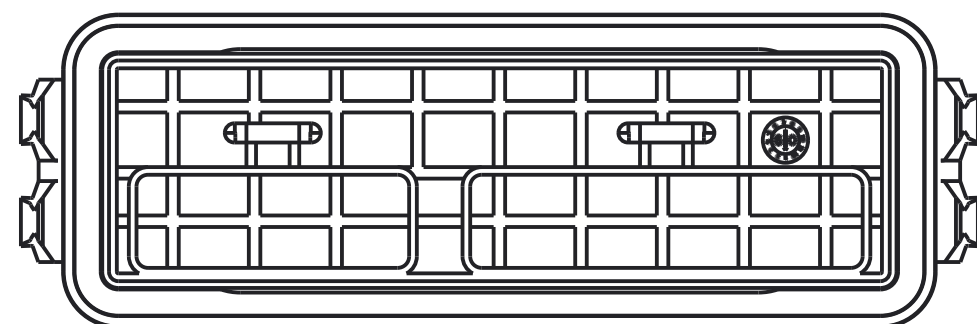


FOR PCB MOUNTING, #4 THREAD CUTTING SCREWS (TYPE 23 OR SIMILAR) ARE RECOMMENDED; TORQUE TO 2-3 IN*LBS [0.23-0.34Nm]

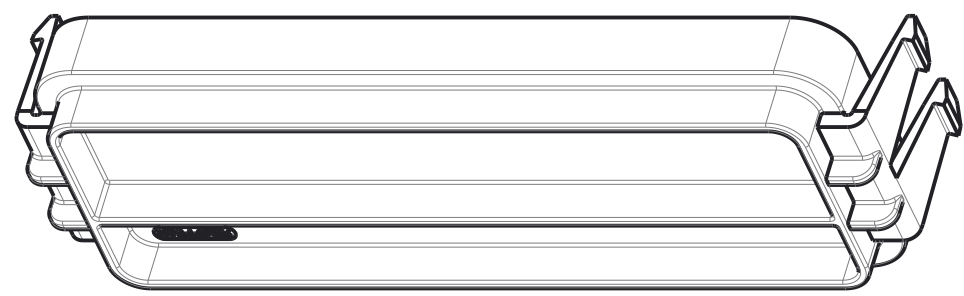
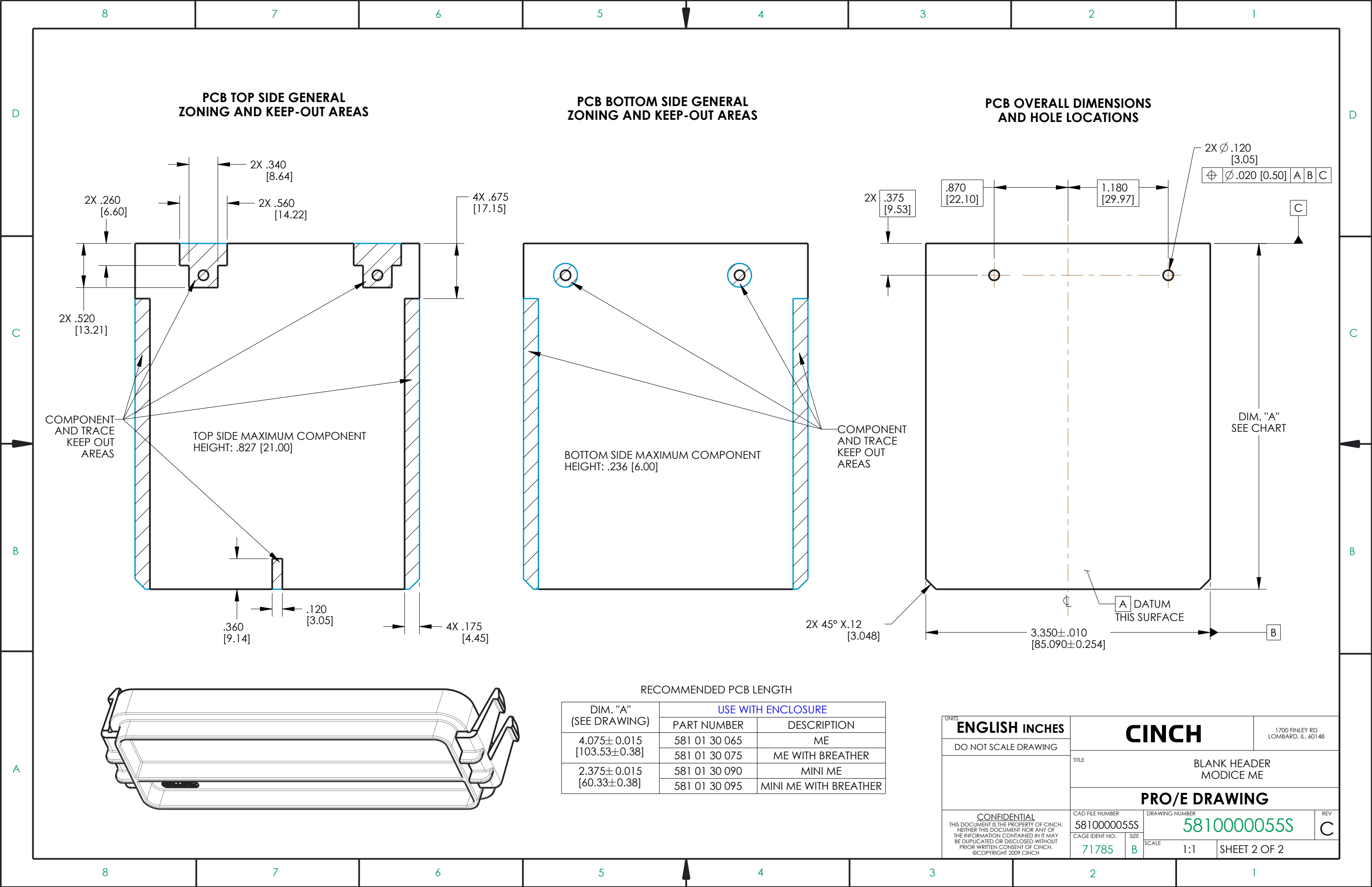


NOTES:

1. ALL DIMENSIONS ARE IN INCHES; DIMENSIONS INSIDE [.XX] ARE IN mm, AS REFERENCE ONLY
2. MATERIALS: 30% GLASS FILLED POLYMER, COLOR BLACK
3. ALL HEADERS ARE REFLOW OR WAVE SOLDERING PROCESS, ROHS COMPLIANT
4. SUGGESTED PCB THICKNESS: .062 [1.57]



UNITS ENGLISH INCHES				CINCH 1700 FINLEY RD LOMBARD, IL. 60148		
DO NOT SCALE DRAWING		DESIGN ENGINEER A. ECKHART	DATE 5/24/11	TITLE BLANK HEADER MODICE ME		
CONFIDENTIAL THIS DOCUMENT IS THE PROPERTY OF CINCH. NEITHER THIS DOCUMENT NOR ANY OF THE INFORMATION CONTAINED IN IT MAY BE DUPLICATED OR DISCLOSED WITHOUT PRIOR WRITTEN CONSENT OF CINCH. ©COPYRIGHT 2011 CINCH		APPROVALS ON FILE		MATERIAL	CONTROL SPEC NUMBER	
				MATERIAL SPEC NUMBER	FINISH	PROJECT NUMBER A14926
				CAD FILE NUMBER 581000055S	DRAWING NUMBER 581000055S	
CAGE IDENT NO. 71785	SIZE B	SCALE 1:1	SHEET 1 OF 2			



RECOMMENDED PCB LENGTH

DIM. "A" (SEE DRAWING)	USE WITH ENCLOSURE	
	PART NUMBER	DESCRIPTION
4.075±0.015 [103.53±0.38]	581 01 30 065	ME
	581 01 30 075	ME WITH BREATHER
2.375±0.015 [60.33±0.38]	581 01 30 090	MINI ME
	581 01 30 095	MINI ME WITH BREATHER

UNITS: **ENGLISH INCHES**

DO NOT SCALE DRAWING

CINCH

1700 FINLEY RD
LOMBARD, IL. 60148

TITLE: BLANK HEADER
MODICE ME

PRO/E DRAWING

CONFIDENTIAL
THIS DOCUMENT IS THE PROPERTY OF CINCH. NEITHER THIS DOCUMENT NOR ANY OF THE INFORMATION CONTAINED IN IT MAY BE DUPLICATED OR DISCLOSED WITHOUT PRIOR WRITTEN CONSENT OF CINCH. ©COPYRIGHT 2009 CINCH

CAD FILE NUMBER
5810000055S

DRAWING NUMBER
5810000055S

REV
C

CAGE IDENT NO.
71785

SCALE
1:1

SHEET 2 OF 2

X-ON Electronics

Largest Supplier of Electrical and Electronic Components

Click to view similar products for [Automotive Connectors](#) category:

Click to view products by [Bel Fuse](#) manufacturer:

Other Similar products are found below :

[003-018-000](#) [60403001](#) [60993906-B](#) [M902-2131](#) [M902-2161](#) [M902-2344](#) [72.330.1035.1](#) [73.353.4028.0](#) [F119300-B](#) [F166900](#) [F258300-B](#)
[F358300-B](#) [F407400](#) [F444110](#) [F487000](#) [F509500B-B](#) [827153-1](#) [8N1515-32-24P](#) [9-1326729-8](#) [925474-1](#) [928905-1](#) [964562-4](#) [968782-1](#)
[GT17SA-8DS-HU](#) [98891-1012](#) [98947-1016](#) [12004147](#) [12004475-L](#) [12010290](#) [12010309-B](#) [12015454](#) [12020219-B](#) [12041318-B](#) [12052225-](#)
[L](#) [12052466](#) [12064869](#) [12004327-B](#) [12015308](#) [12015384](#) [12015909](#) [1-21030-1](#) [12041254](#) [12041318](#) [12047946-B](#) [12047957](#) [12047957-L](#)
[12059473](#) [12066261](#) [12110546](#) [12110546-B](#)