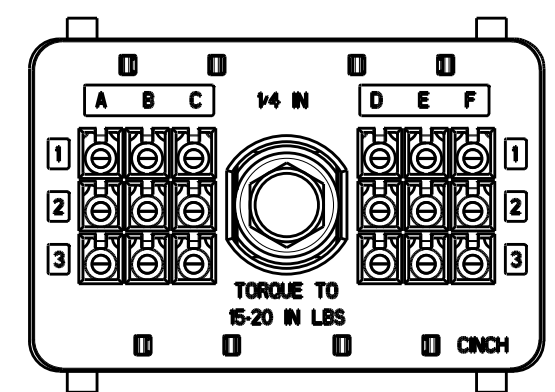
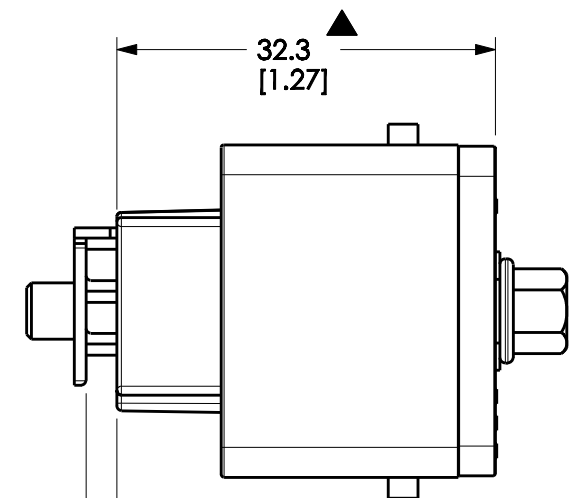
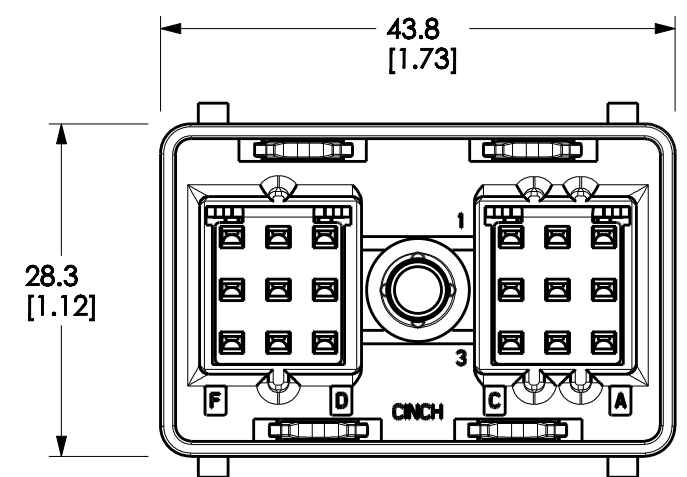
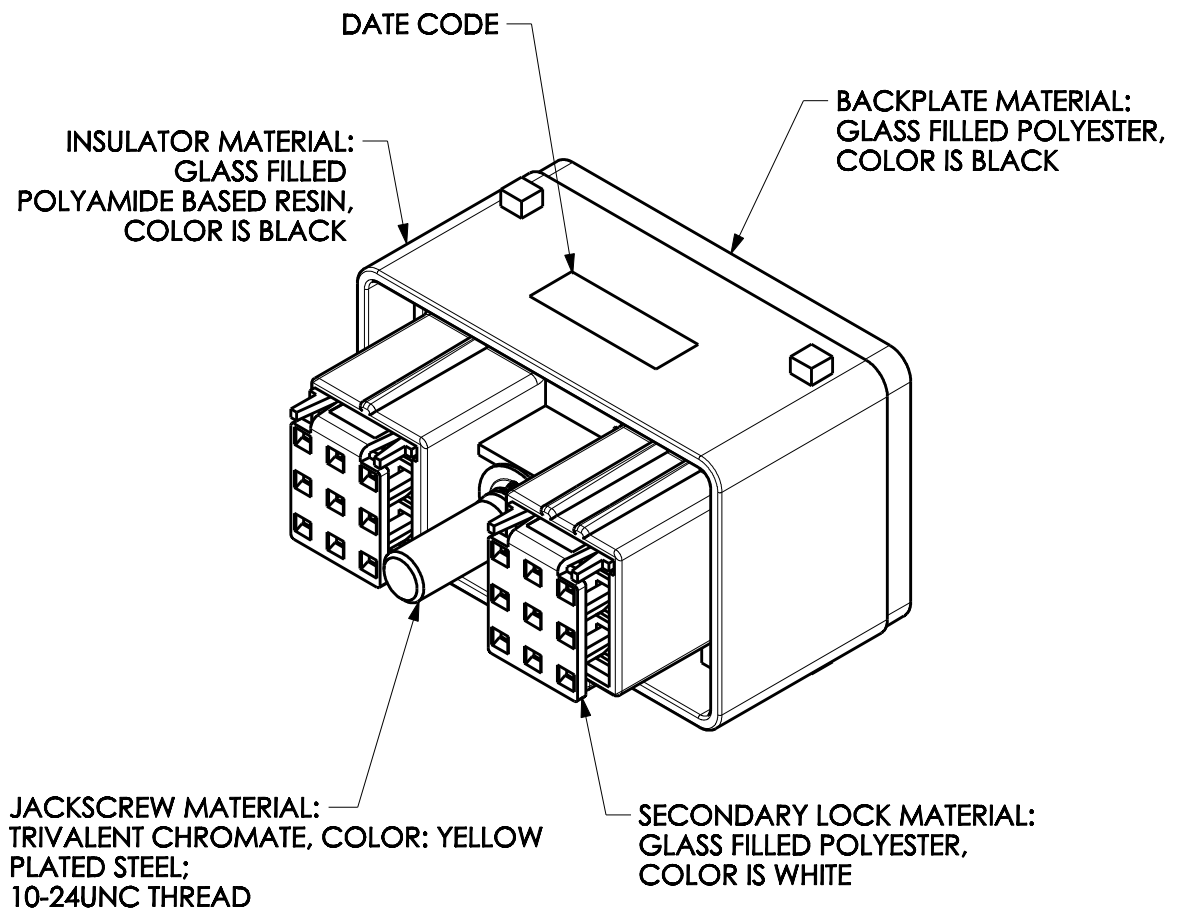


DRAWING REVISIONS (RELEASE DATE ON FILE)			
REV	DOCUMENT	APP	APPROVAL DATE
E	PER CO# 839	V.R.	01/18/10



**REAR VIEW**

2.6 REF [0.10]  
SECONDARY LOCKS SHIPPED  
IN PRE-STAGED POSITION



**NOTES:**

1. DIMENSIONS SHOWN IN MILLIMETERS [INCHES].
2. FOR WIRE SIZE APPLICATIONS, CONSULT FACTORY.
3. FEMALE TERMINALS TO BE ORDERED SEPARATELY: P/N'S 425 00 00 873/872.
4. PART MATES WITH CINCH HEADER CONNECTOR (CONSULT FACTORY).
5. SEAL PLUGS TO BE ORDERED SEPARATELY: P/N 581 00 00 011.
6. DRAWING TOLERANCES (UNLESS OTHERWISE SPECIFIED):  
.X = ±0.5  
.XX = ±0.25
7. SEALING RANGE FOR WIRE INSULATION DIAMETER:  
MAXIMUM: 2.64MM [0.104"]; MINIMUM: 1.96MM [0.077"].
8. A TRIANGLE "▲" INDICATES A CHARACTERISTIC REQUIRING INSPECTION VERIFICATION.
9. IF TIE-WRAP DRESSING CONDUCTORS, CINCH RECOMMENDS A SPACING OF NO LESS THAN 50.8MM [2.00"] BEHIND THE BACK PLATE.

UNITS <b>METRIC</b>		DESIGN ENGINEER <b>PRO/E</b> A.CAINES		DATE 4/25/00		TITLE <b>CINCH</b> 18 POSITION SOCKET CONNECTOR		MODELED BY: 1700 FINLEY RD LOMBARD, IL 60148			
DO NOT SCALE DRAWING <small>UNLESS OTHERWISE SPECIFIED: ALL DIMENSIONS ARE IN mm</small>		APPROVALS ON FILE		MATERIAL		CONTROL SPEC NUMBER		PROJECT NUMBER A14243			
CONFIDENTIAL <small>THIS DOCUMENT IS THE PROPERTY OF CINCH. NEITHER THIS DOCUMENT NOR ANY OF THE INFORMATION CONTAINED IN IT MAY BE DUPLICATED OR DISCLOSED WITHOUT PRIOR WRITTEN CONSENT OF CINCH. ©COPYRIGHT 2009 CINCH</small>				MATERIAL SPEC NUMBER 5810118023		DRAWING NUMBER 5810118023S		SCALE 1.500		SHEET 1 OF 1	
				CAGE IDENT NO. 71785		SIZE B					

## X-ON Electronics

Largest Supplier of Electrical and Electronic Components

*Click to view similar products for [Automotive Connectors](#) category:*

*Click to view products by [Bel Fuse](#) manufacturer:*

Other Similar products are found below :

[003-018-000](#) [60403001](#) [60993906-B](#) [M902-2131](#) [M902-2161](#) [M902-2344](#) [72.330.1035.1](#) [73.353.4028.0](#) [F119300-B](#) [F166900](#) [F258300-B](#)  
[F358300-B](#) [F407400](#) [F444110](#) [F487000](#) [F509500B-B](#) [827153-1](#) [8N1515-32-24P](#) [9-1326729-8](#) [925474-1](#) [928905-1](#) [964562-4](#) [968782-1](#)  
[GT17SA-8DS-HU](#) [98891-1012](#) [98947-1016](#) [12004147](#) [12004475-L](#) [12010290](#) [12010309-B](#) [12015454](#) [12020219-B](#) [12041318-B](#) [12052225-](#)  
[L](#) [12052466](#) [12064869](#) [12004327-B](#) [12015308](#) [12015384](#) [12015909](#) [1-21030-1](#) [12041254](#) [12041318](#) [12047946-B](#) [12047957](#) [12047957-L](#)  
[12059473](#) [12066261](#) [12110546](#) [12110546-B](#)