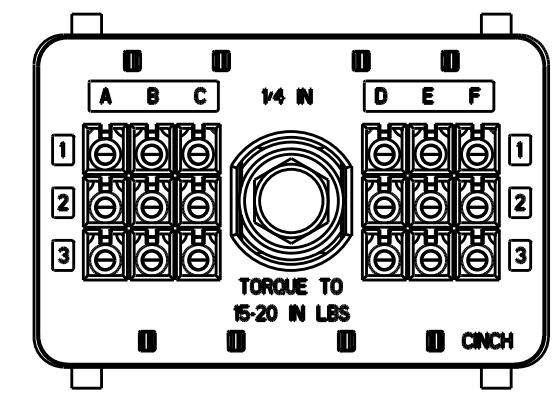
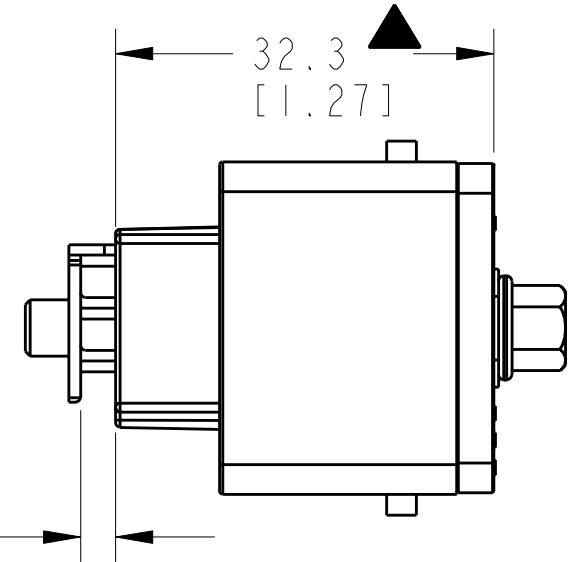
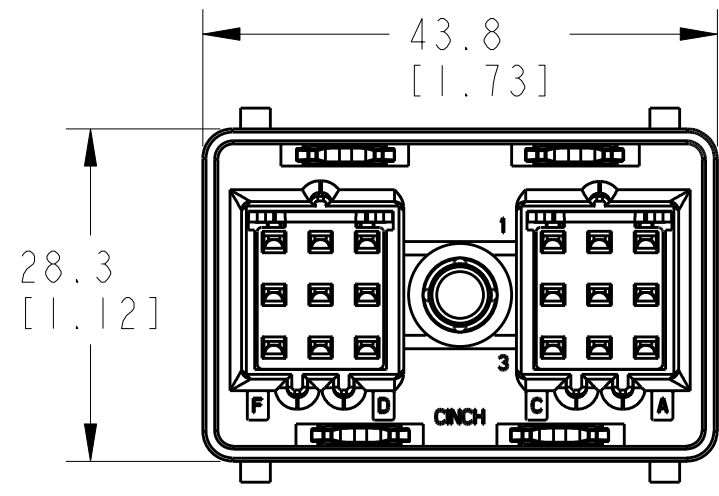
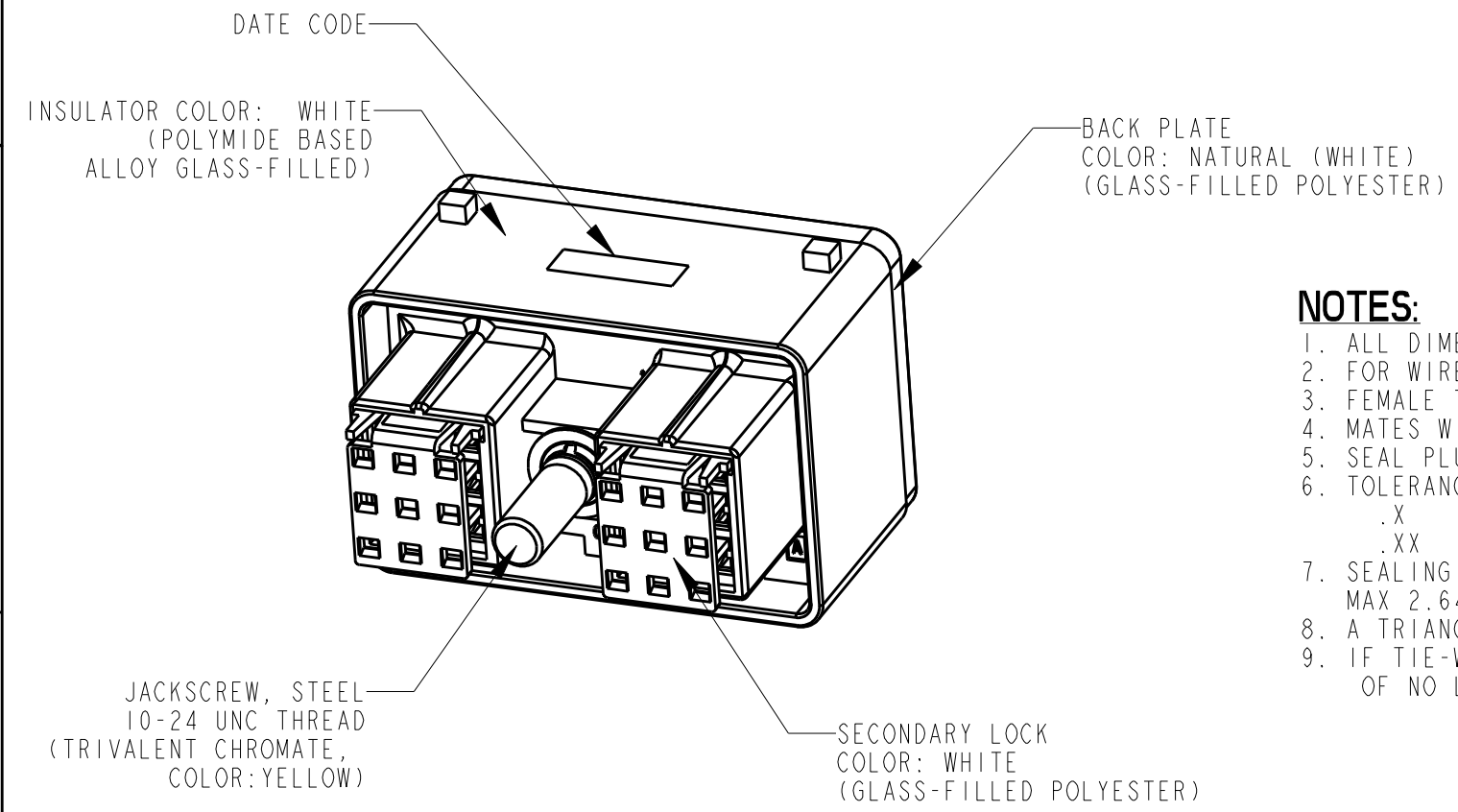


DRAWING REVISIONS (RELEASE DATE ON FILE)			
REV	DOCUMENT	APP	APPROVAL DATE
D	PER CO# 839	V.R.	02/18/10



REAR VIEW

2.6 REF  
[.10]  
SECONDARY LOCK SHIPPED  
IN PRE-STAGED POSITION



**NOTES:**

1. ALL DIMENSIONS ARE IN MILLIMETERS. DIMENSIONS IN [ ] ARE IN INCHES.
2. FOR WIRE SIZE APPLICATION, CONSULT FACTORY.
3. FEMALE TERMINAL ORDERED SEPARATELY: 425 00 00 873/872.
4. MATES WITH CINCH HEADER CONNECTOR (CONSULT FACTORY).
5. SEAL PLUG ORDERED SEPARATELY: 581 00 00 011.
6. TOLERANCES UNLESS OTHERWISE SPECIFIED:  
 .X ±0.5  
 .XX ±0.25
7. SEALING RANGE FOR WIRE INSULATION DIA.;  
 MAX 2.64MM (.104"), MIN 1.96MM (.077").
8. A TRIANGLE ▲ INDICATES CRITICAL FUNCTION DIMENSION.
9. IF TIE-WRAP DRESSING CONDUCTORS, CINCH RECOMMENDS A SPACING OF NO LESS THAN 2 INCHES BEHIND THE BACK PLATE.

UNITS <b>METRIC</b>	DESIGN ENGINEER <b>A. CAINES</b>	DATE <b>4/25/00</b>	<b>CINCH</b> 1700 FINLEY RD LOMBARD, IL 60148			
<b>DO NOT SCALE DRAWING</b>	<b>APPROVALS ON FILE</b>		TITLE <b>18 POSITION SOCKET CONNECTOR</b>			
<small>CONFIDENTIAL THIS DOCUMENT IS THE PROPERTY OF CINCH. NEITHER THIS DOCUMENT NOR ANY OF THE INFORMATION CONTAINED IN IT MAY BE DUPLICATED OR DISCLOSED WITHOUT PRIOR WRITTEN CONSENT OF CINCH. ©COPYRIGHT 2010 CINCH</small>			MATERIAL	CONTROL SPEC NUMBER		
			MATERIAL SPEC NUMBER	FINISH	PROJECT NUMBER <b>A14243</b>	
			CAD FILE NUMBER <b>5810118024</b>	DRAWING NUMBER <b>5810118024S</b>		
			CAGE IDENT NO. <b>71785</b>	SIZE <b>B</b>	SCALE <b>3:2</b>	SHEET 1 OF 1

## X-ON Electronics

Largest Supplier of Electrical and Electronic Components

*Click to view similar products for [Automotive Connectors](#) category:*

*Click to view products by [Bel Fuse](#) manufacturer:*

Other Similar products are found below :

[003-018-000](#) [60403001](#) [60993906-B](#) [M902-2131](#) [M902-2161](#) [M902-2344](#) [72.330.1035.1](#) [73.353.4028.0](#) [F119300-B](#) [F166900](#) [F258300-B](#)  
[F358300-B](#) [F407400](#) [F444110](#) [F487000](#) [F509500B-B](#) [827153-1](#) [8N1515-32-24P](#) [9-1326729-8](#) [925474-1](#) [928905-1](#) [964562-4](#) [968782-1](#)  
[GT17SA-8DS-HU](#) [98891-1012](#) [98947-1016](#) [12004147](#) [12004475-L](#) [12010290](#) [12015454](#) [12020219-B](#) [12041318-B](#) [12052225-L](#) [12052466](#)  
[12064869](#) [12004327-B](#) [12015308](#) [12015384](#) [12015909](#) [1-21030-1](#) [12041254](#) [12041318](#) [12047946-B](#) [12047957](#) [12047957-L](#) [12059473](#)  
[12066261](#) [12110546](#) [12110546-B](#) [12131792](#)