

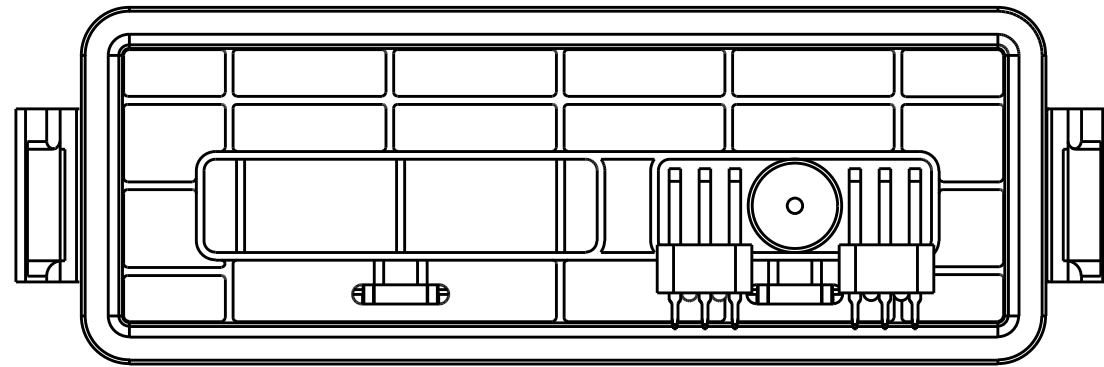
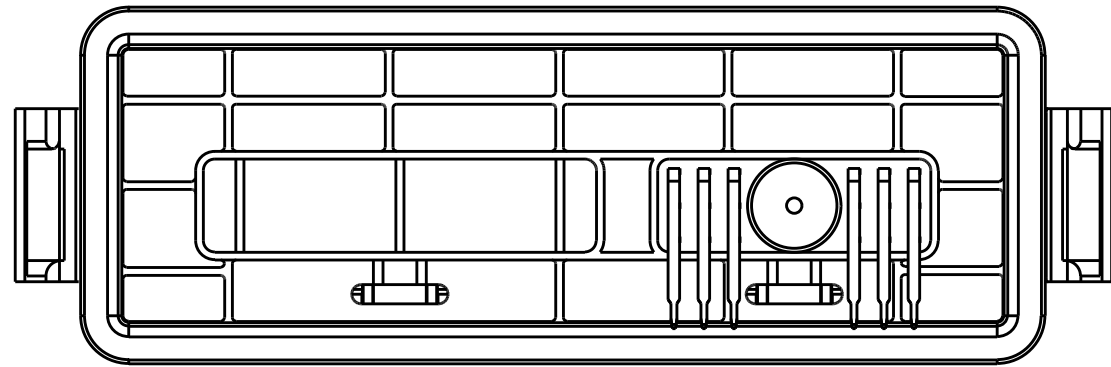
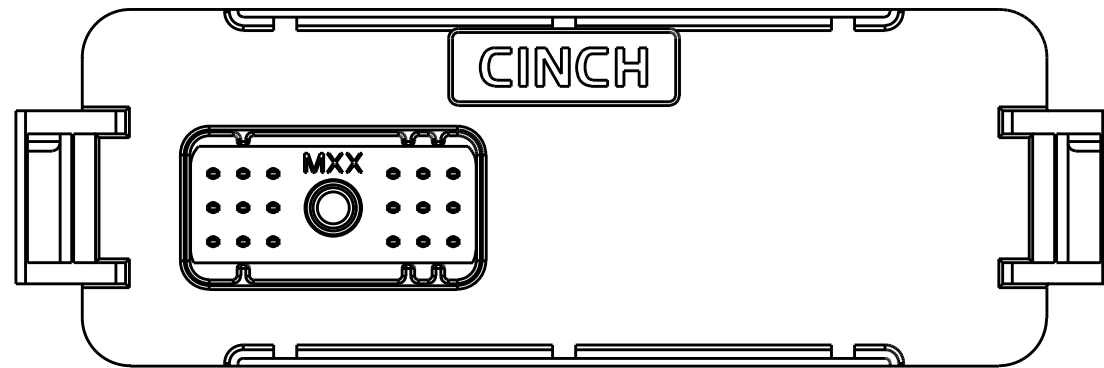
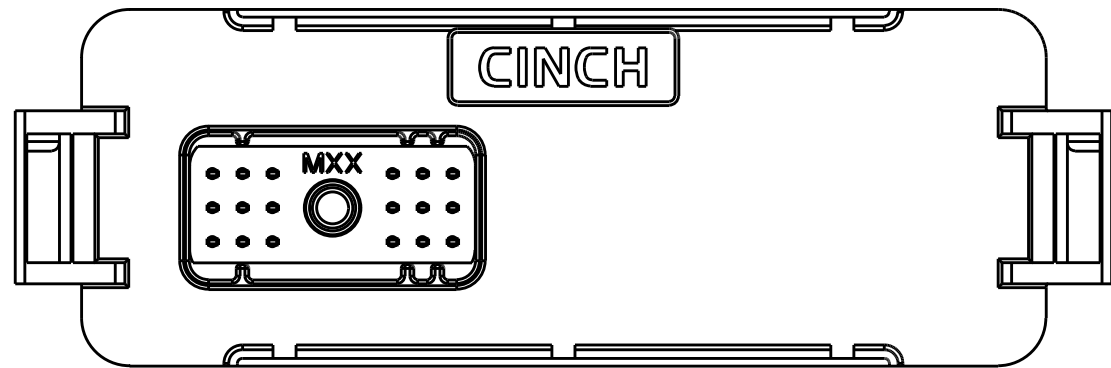
# CINCH PART NUMBER MATRIX

P/N: 581 01 18 032

P/N: 581 01 18 033

18-WAY HEADER ASSEMBLY WITHOUT FERRITE FILTERS

18-WAY HEADER ASSEMBLY WITH FERRITE FILTERS



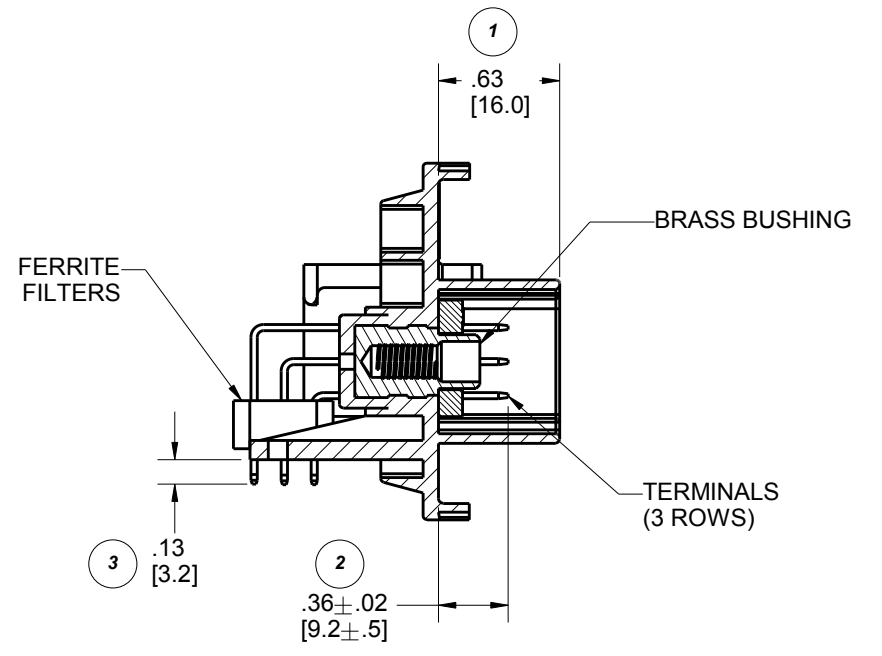
MATES WITH CINCH HARNESS CONNECTORS P/N:  
581 01 18 023 (18-WAY)

DRAWING REVISIONS			
REV	DOCUMENT	APP	DATE
A	REL. FOR PRODUCTION D.O. 05-1157	A.C.	7/21/05
B	ECN: 05A468 ADDED LEGS AND ADDED SLOTS TO RIBS	A.C.	9/27/05
C	ECN: 06A032 ADDED SHEET 5 ADDED SHEET 6 MODIFIED SHEET 3 MODIFIED SHEET 4	A.C.	3/23/06
D	ECN: 06A410 REFORMATTED DRAWING PCB LAYOUTS REDRAWN WITH ADDITIONAL KEEP OUT AREAS	A.C.	9/29/06
E	CO 4256	N.C.	3/31/20

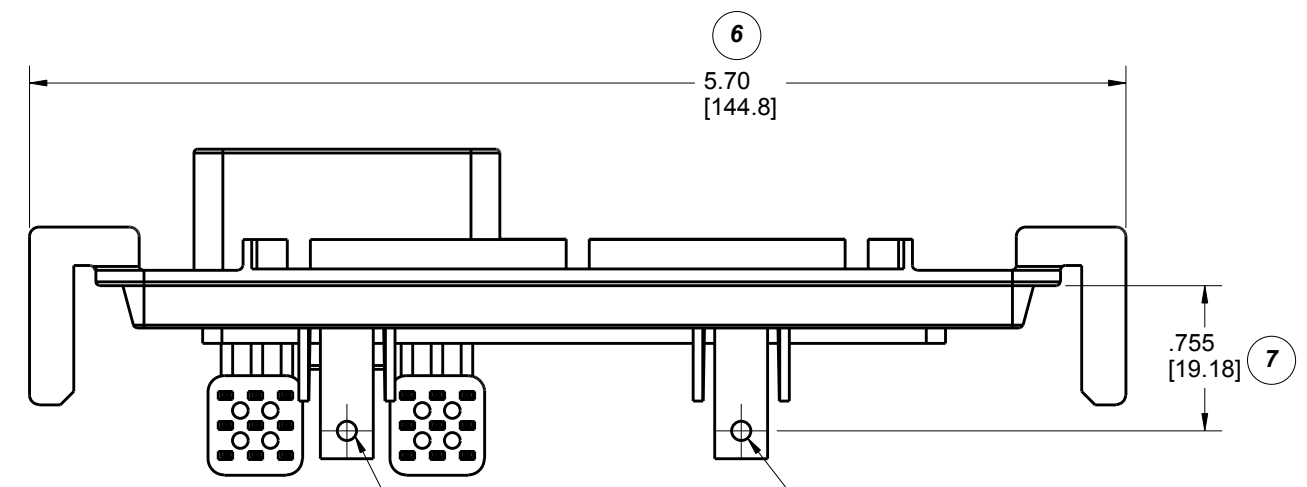
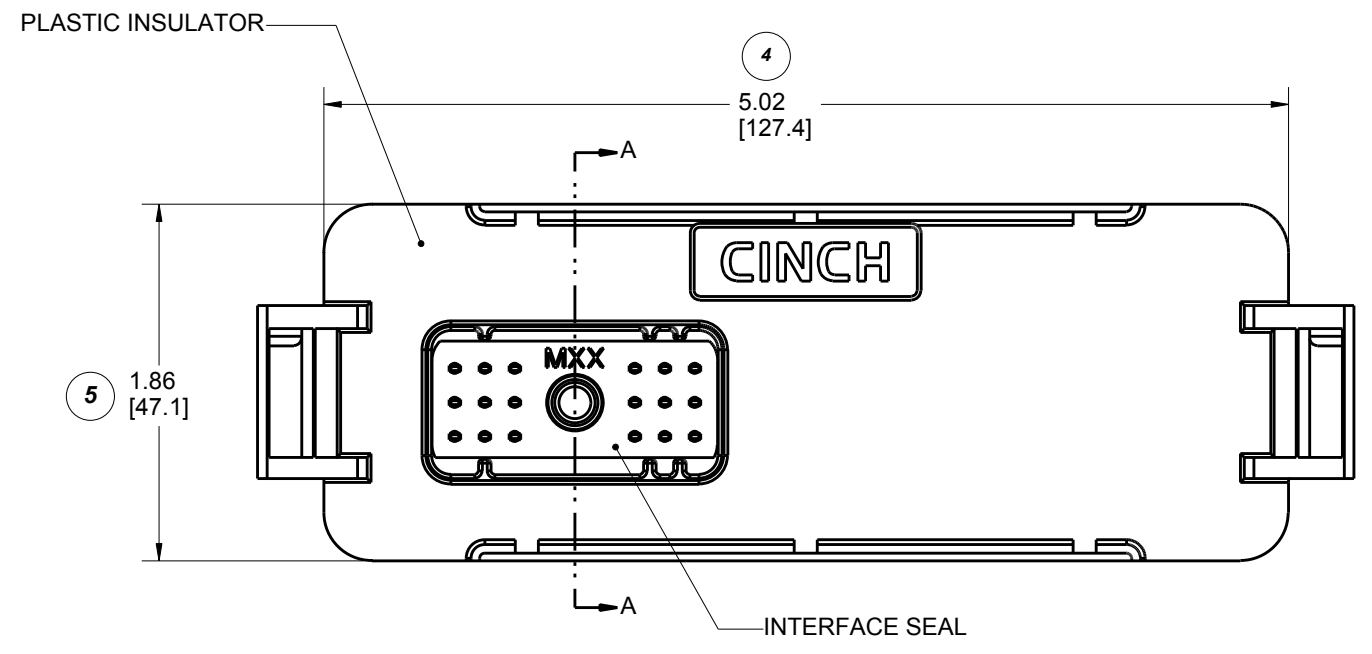
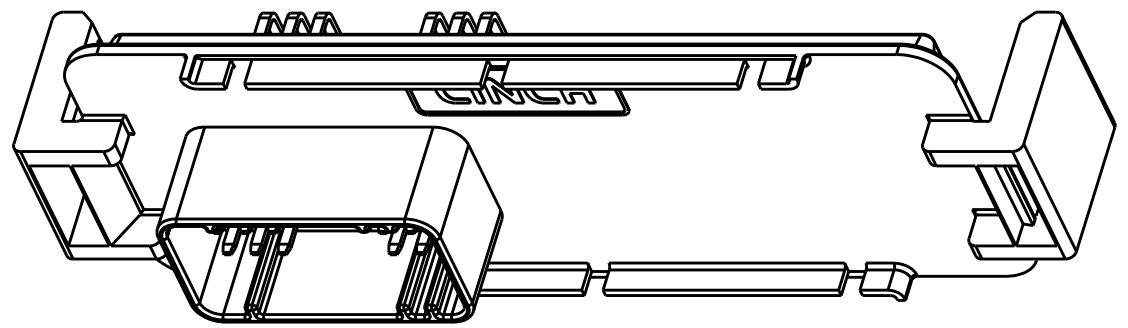
**NOTE:**

- ALL DIMENSIONS ARE IN INCHES;  
DIMENSION INSIDE [.XX] ARE IN MM, AS REF. ONLY.
- MATERIALS:  
INTERFACE SEAL: SILICONE RUBBER, COLOR BLUE;  
INSULATOR: 30 % GLASS FILLED POLYMER, COLOR BLACK;  
BUSHING: BRASS ALLOY, UNPLATED 10-24 UNC THREAD;  
TERMINAL BLADE: 1.5 MM BRASS WITH TIN OVER NICKEL PLATING;  
FILTERS: FERRITE BLOCKS.
- ALL HEADERS ARE REFLOW OR WAVE SOLDERING PROCESS, ROHS COMPLIANT.
- MATES WITH CINCH SHS PUSH-TO-SEAT HARNESS CONNECTORS (SEE TABLE ABOVE).
- THERMALLY CONDUCTIVE ADHESIVE PASTE SOLD SEPARATLY: RECOMMENDED IS LOCTITE 383.
- MOSFET SPRING PLATES ARE SOLD SEPARATLY (FOR INSTALLATION REFER TO ENCLOSURE ASSEMBLY INSTRUCTIONS)  
SPRING LABELED AS "L" IS CINCH P/N: 581 00 00 020 AND SPRING LABELED AS "R" IS CINCH P/N: 581 00 00 021.  
(IT IS RECOMMENDED THAT THE 4 SLOTS BE PROTECTED DURING CONFORMAL COATING)
- STANDARD PACKAGE SIZE: 72 PARTS/CARTON BOX.

UNITS		RoHS COMPLIANT		MODELED BY:	
ENGLISH	PRO/E	CINCH			
DO NOT SCALE DRAWING	DRAWN BY <b>B. KOSTIC</b>	DATE <b>09/03/04</b>	TITLE <b>18-WAY HEADERS MODICE SE</b>		
UNLESS OTHERWISE SPECIFIED: ALL DIMENSIONS ARE IN INCHES	DESIGN ENGINEER <b>B. KOSTIC</b>	DATE <b>09/03/04</b>	MATERIAL <b>SEE NOTE 2.</b>		CONTROL SPEC NUMBER
FILLET/RADII .02 MAX	DESIGN ENGINEERING MGR. <b>A. CAINES</b>	DATE <b>11/18/04</b>	MATERIAL SPEC NUMBER	FINISH	PROJECT NUMBER <b>A 14562</b>
TOLERANCES AND LIMITS APPLY OVER ADDITIVE FINISH	MFG. ENGINEERING <b>R. GARZA</b>	DATE <b>11/18/04</b>	CAD FILE NUMBER 5810118032S_HEADERS	DRAWING NUMBER <b>581 01 18 032 S</b>	
THIS DOCUMENT IS THE PROPERTY OF CINCH. NEITHER THIS DOCUMENT NOR ANY OF THE INFORMATION CONTAINED IN IT MAY BE DUPLICATED OR DISCLOSED WITHOUT PRIOR WRITTEN CONSENT OF CINCH.	QUALITY ASSURANCE <b>R. QUIROZ</b>	DATE <b>11/18/04</b>	CAGE IDENT NO. <b>71785</b>	SIZE <b>B</b>	SCALE <b>1:1</b> SHEET 1 OF 6



**SECTION A-A**



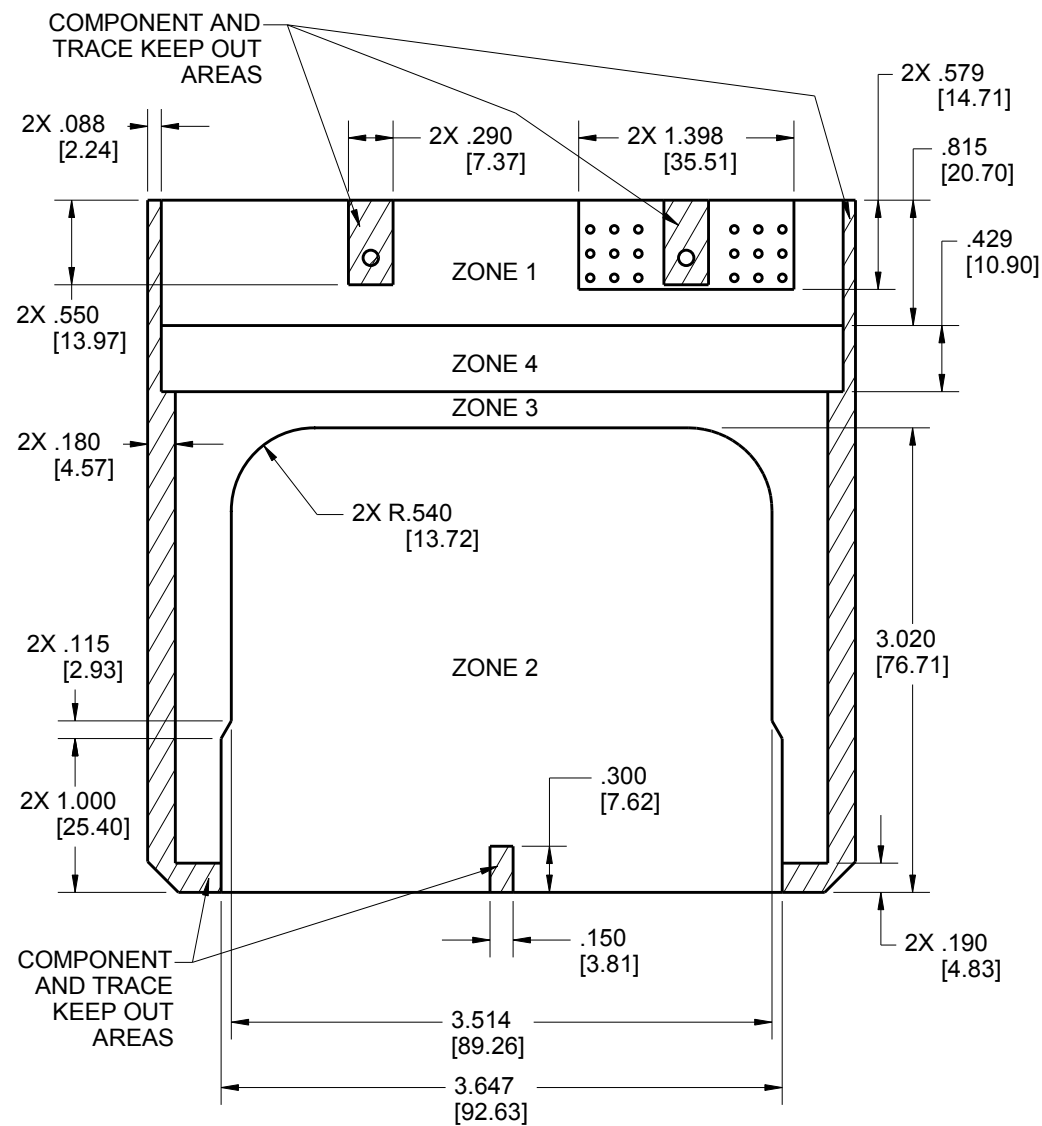
FOR PCB MOUNTING, #4 SELF-TAPPING SCREW IS RECOMMENDED, TORQUE: 2-3 IN\*LBS. [0.23-0.34 Nm]

**CINCH P/N: 581 01 18 033 SHOWN (HEADER WITH FILTERS)**

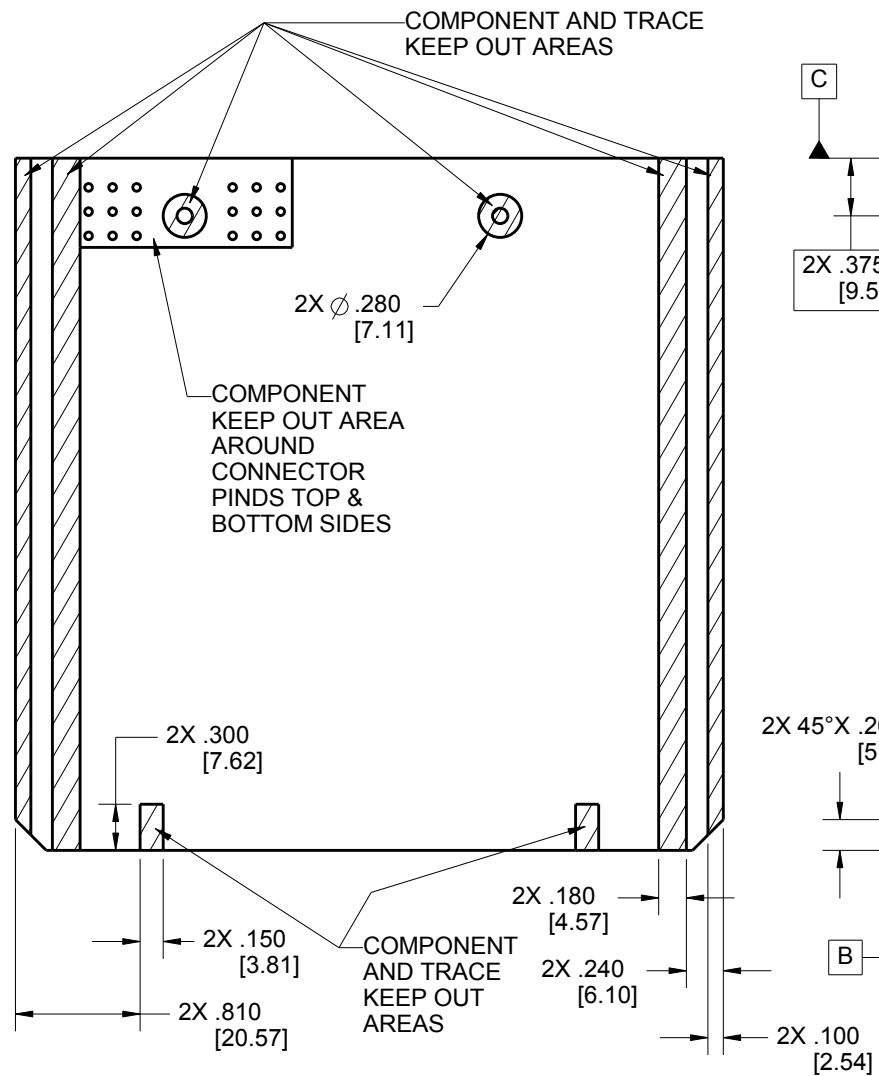
UNITS <b>ENGLISH</b>		<b>CINCH</b>		1700 FINLEY RD LOMBARD, IL. 60148	
DO NOT SCALE DRAWING		TITLE <b>18-WAY HEADERS MODICE SE</b>			
UNLESS OTHERWISE SPECIFIED: ALL DIMENSIONS ARE IN INCHES		PRO/E DRAWING			
Fillet/Radii .02 MAX		TOLERANCES X ± .1 XX ± .01 XXX ± .005 ANGULAR ± .5°		CAD FILE NUMBER 5810118032S_HEADERS	DRAWING NUMBER <b>581 01 18 032 S</b>
TOLERANCES AND LIMITS APPLY OVER ADDITIVE FINISH		CAGE IDENT NO. 71785	SIZE B	SCALE 1:1	REV E
THIS DOCUMENT IS THE PROPERTY OF CINCH. NEITHER THIS DOCUMENT NOR ANY OF THE INFORMATION CONTAINED IN IT MAY BE DUPLICATED OR DISCLOSED WITHOUT PRIOR WRITTEN CONSENT OF CINCH.		SHEET 2 OF 6			

# PCB LAYOUT WITHOUT HEAT SINKS

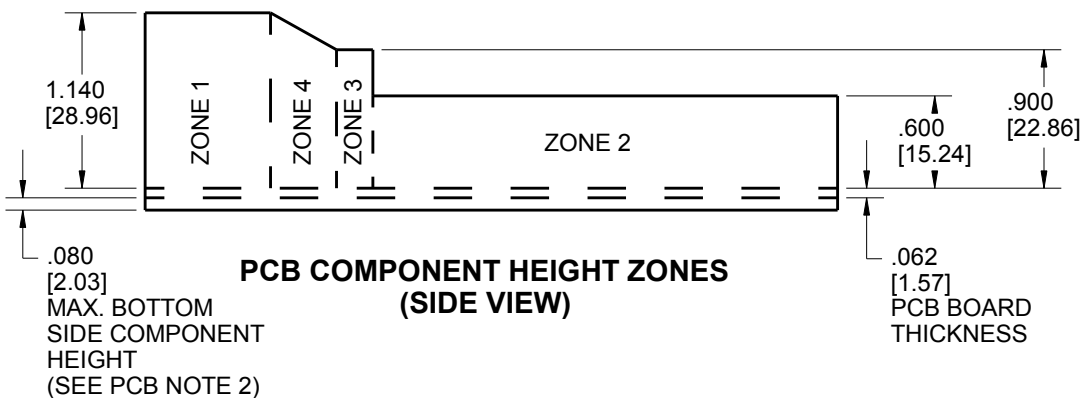
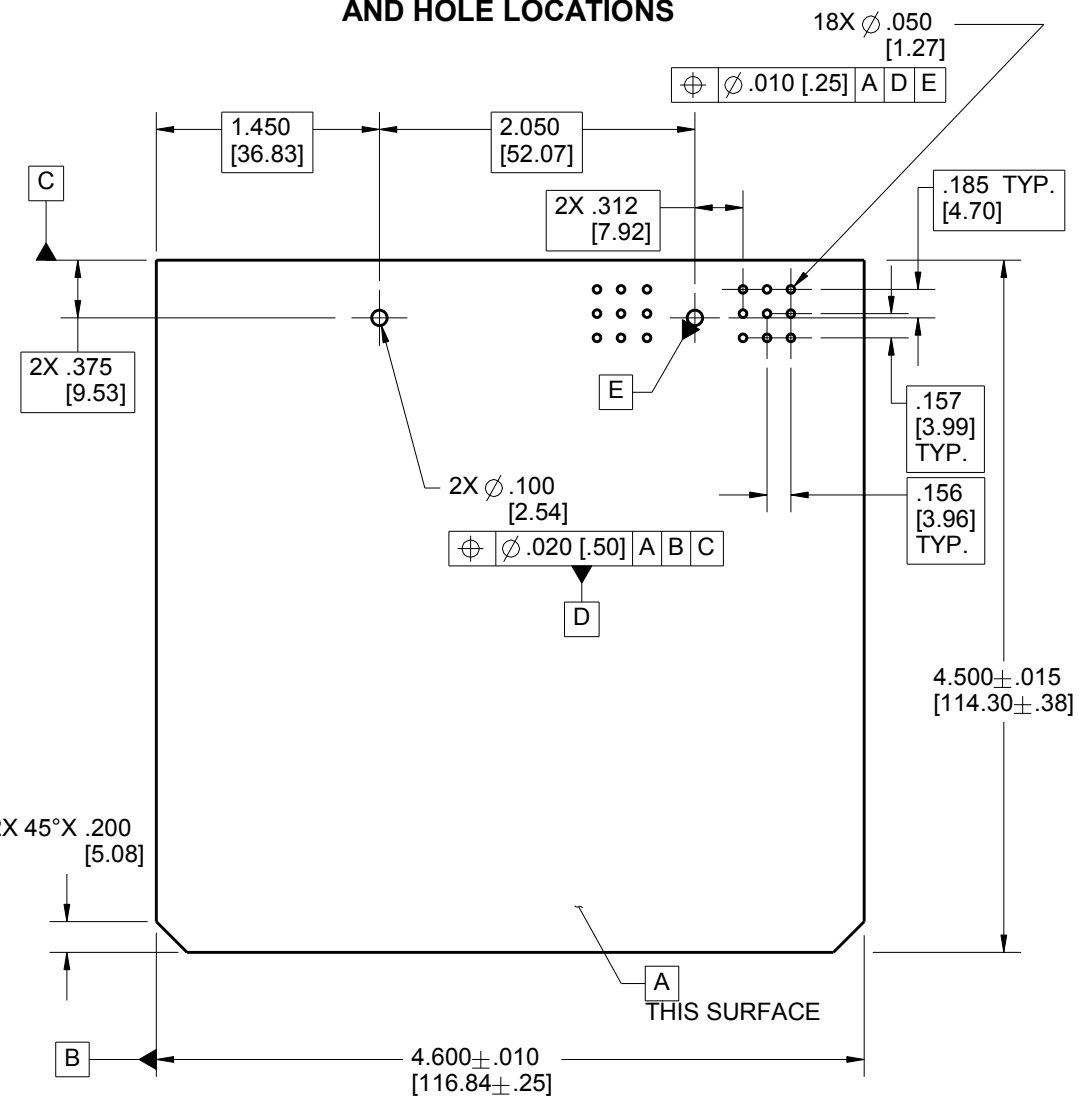
## PCB TOP SIDE GENERAL ZONING & KEEP OUT AREAS



## PCB BOTTOM SIDE GENERAL ZONING & KEEP OUT AREAS



## PCB OVERALL DIMENSIONS AND HOLE LOCATIONS



### PCB COMPONENTS HEIGHT LIMIT

	ZONE 1	ZONE 2	ZONE 3	ZONE 4
MAX. HEIGHT FOR COMPONENTS (ABOVE PCB)	1.140"	.600"	.900"	SEE PCB NOTE 3

### PCB NOTES:

- ON BOTTOM SIDE OF THE PCB, COMPONENTS OR TRACES MUST BE MIN. .100" AWAY FROM THE EDGE OF THE PCB.
- THE BOTTOM SIDE OF THE PCB SHOULD NOT HAVE COMPONENTS OR LEADS THAT EXTEND HIGHER THAN .080" (SEE PG. 6 SIDE VIEW).
- AREA HAS VARIABLE HEIGHT. SEE PCB COMPONENT HEIGHT ZONES VIEW FOR DETAILS.

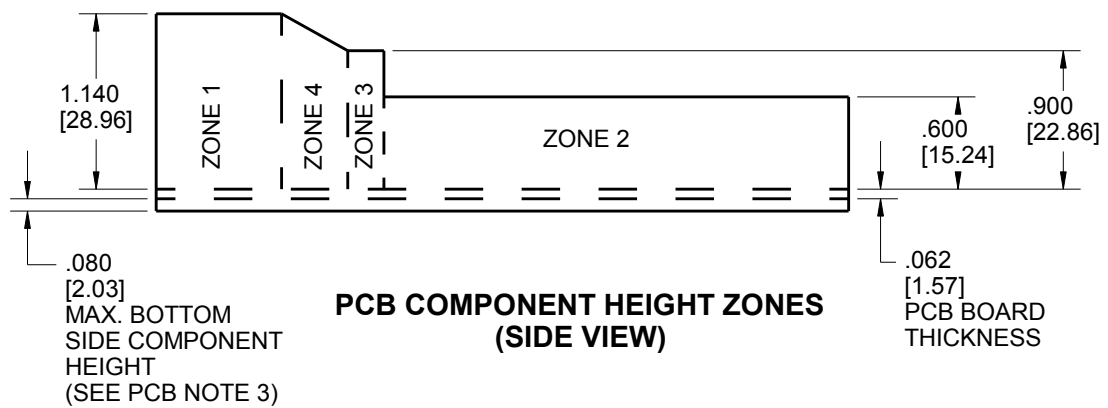
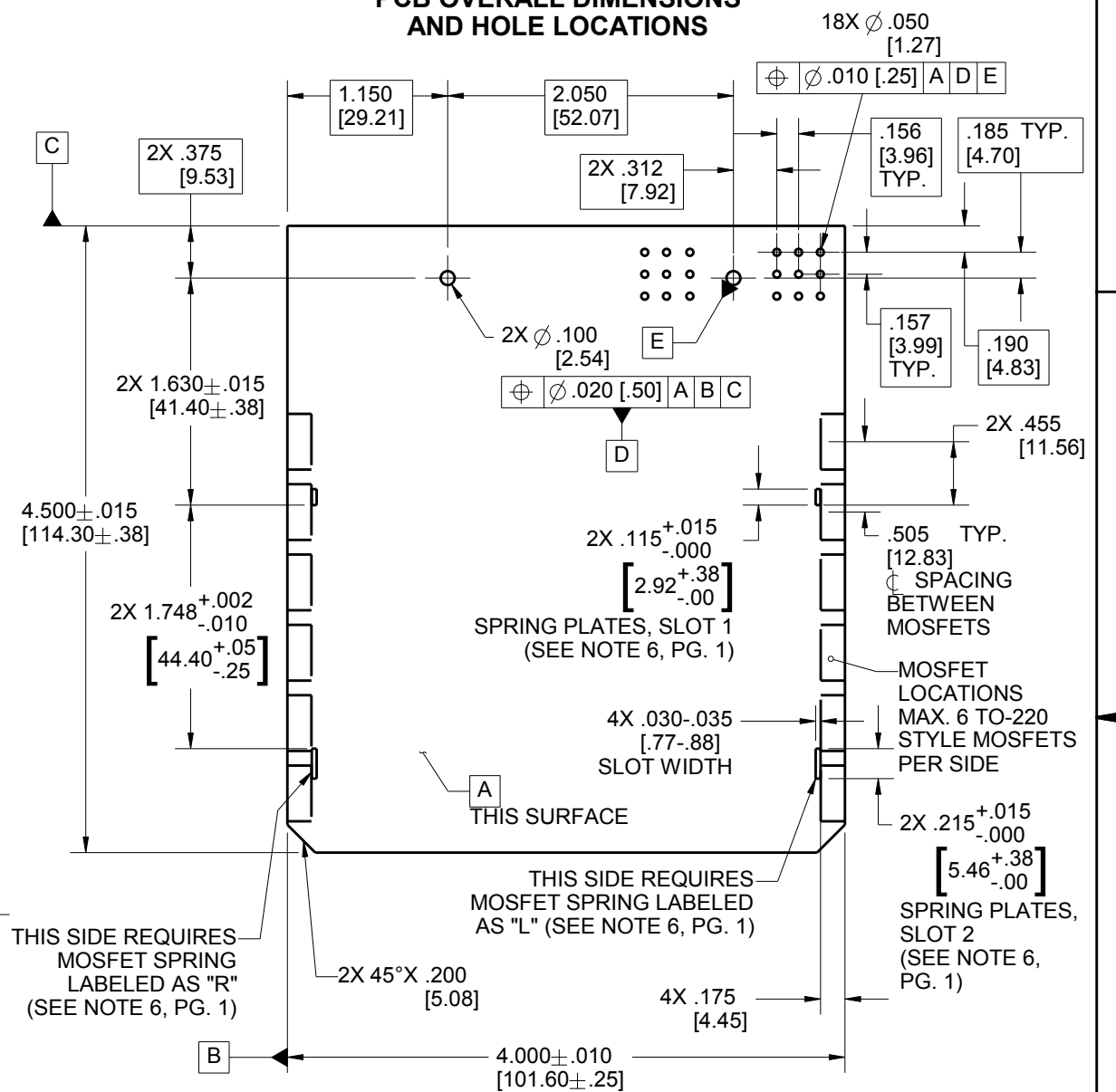
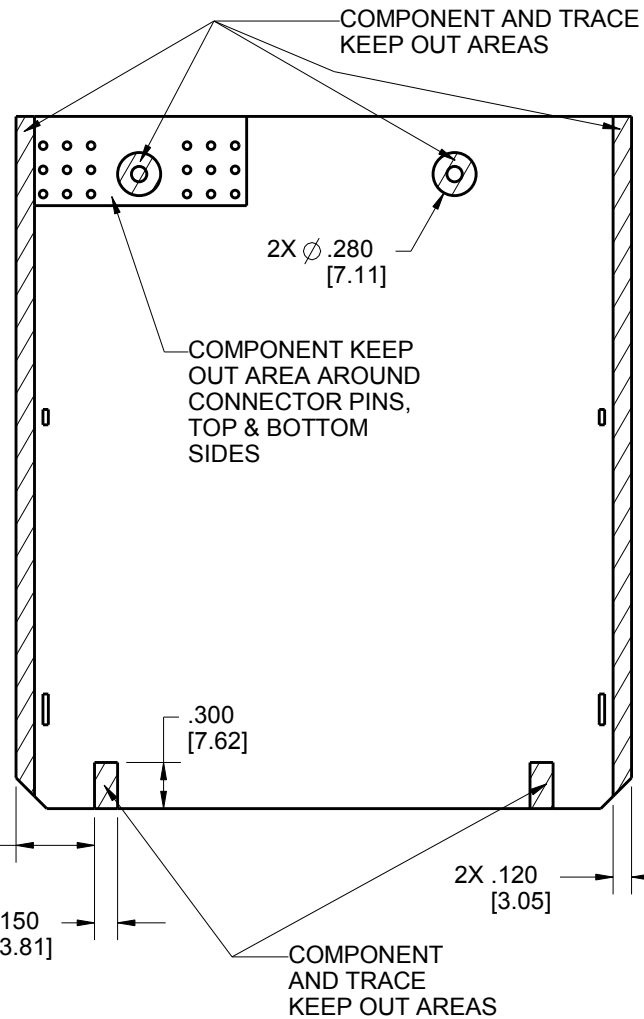
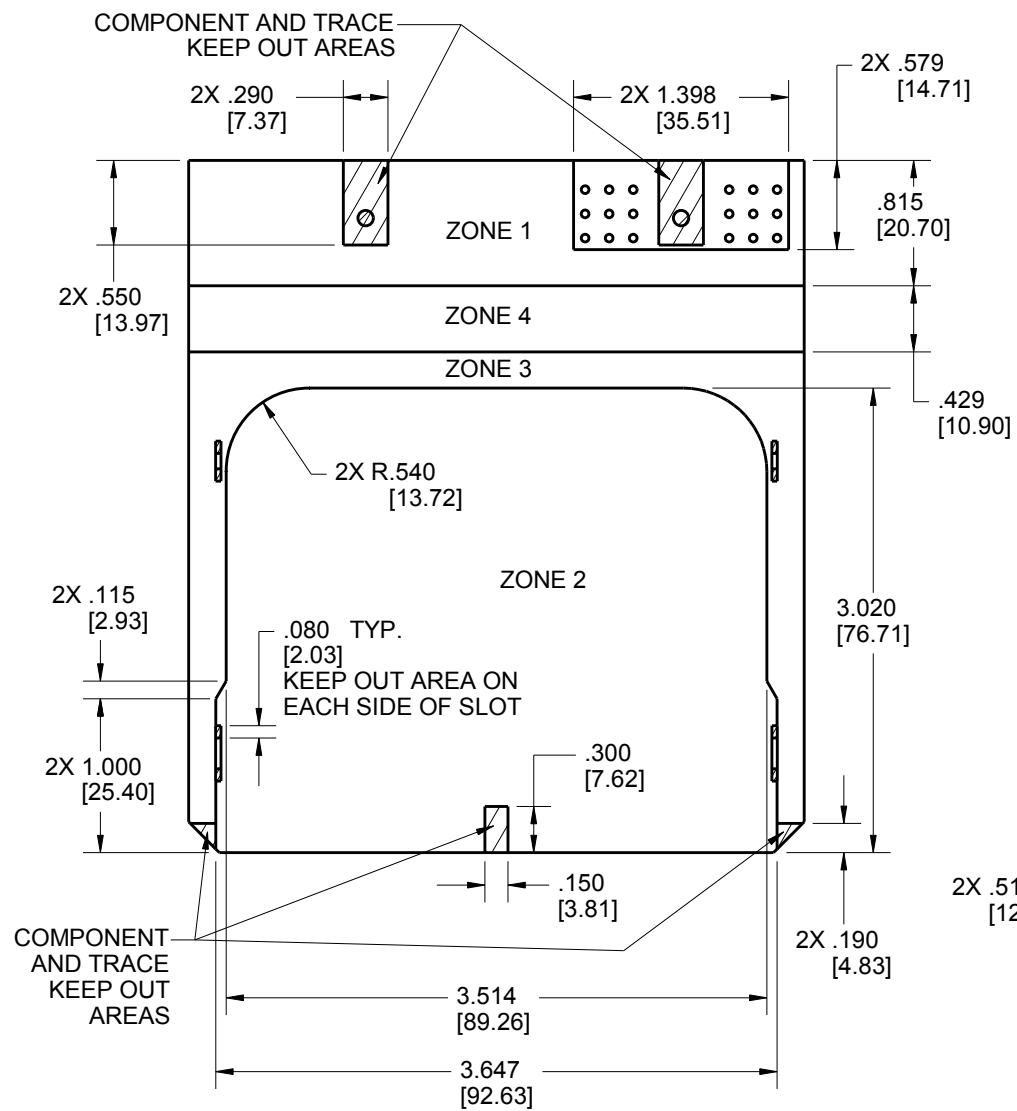
UNITS <b>ENGLISH</b>	<b>CINCH</b>		1700 FINLEY RD LOMBARD, IL. 60148
DO NOT SCALE DRAWING	TITLE 18-WAY HEADERS MODICE SE		
UNLESS OTHERWISE SPECIFIED: ALL DIMENSIONS ARE IN INCHES	PRO/E DRAWING		
FILLET/RADII .02 MAX	TOLERANCES X ± .1 XX ± .01 XXX ± .005 ANGULAR ± .5°	CAD FILE NUMBER 5810118032S_HEADERS	DRAWING NUMBER <b>581 01 18 032 S</b>
TOLERANCES AND LIMITS APPLY OVER ADDITIVE FINISH	CAGE IDENT NO. 71785	SIZE B	SCALE 4:5
THIS DOCUMENT IS THE PROPERTY OF CINCH. NEITHER THIS DOCUMENT NOR ANY OF THE INFORMATION CONTAINED IN IT MAY BE DUPLICATED OR DISCLOSED WITHOUT PRIOR WRITTEN CONSENT OF CINCH.	SHEET 3 OF 6		REV E

# PCB LAYOUT WITH TWO HEAT SINKS

## PCB TOP SIDE GENERAL ZONING & KEEP OUT AREAS

## PCB BOTTOM SIDE GENERAL ZONING & KEEP OUT AREAS

## PCB OVERALL DIMENSIONS AND HOLE LOCATIONS



### PCB COMPONENTS HEIGHT LIMIT

	ZONE 1	ZONE 2	ZONE 3	ZONE 4
MAX. HEIGHT FOR COMPONENTS (ABOVE PCB)	1.140"	.600"	.900"	SEE PCB NOTE 4

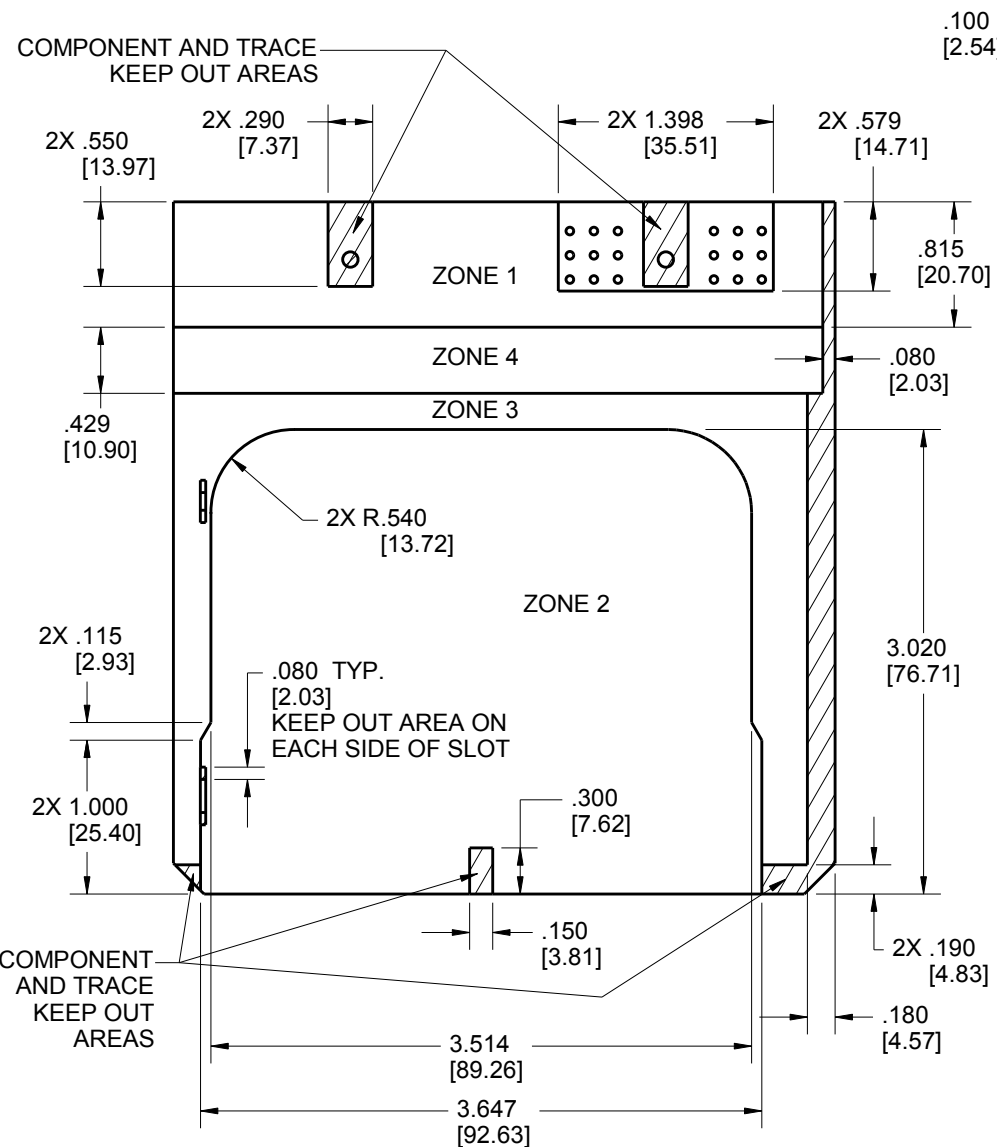
#### PCB NOTES:

- IF MOSFET SPRINGS ARE USED, ZONE 3 SHOULD CONTAIN ONLY MOSFETS AND TRACES BETWEEN THE SPRINGS AND EDGE OF THE BOARD.
- ON BOTTOM SIDE OF THE PCB, COMPONENTS OR TRACES MUST BE MIN. .100" AWAY FROM THE EDGE OF THE PCB.
- THE BOTTOM SIDE OF THE PCB SHOULD NOT HAVE COMPONENTS OR LEADS THAT EXTEND HIGHER THAN .080" (SEE PG. 6 SIDE VIEW).
- AREA HAS VARIABLE HEIGHT. SEE PCB COMPONENT HEIGHT ZONES VIEW FOR DETAILS.

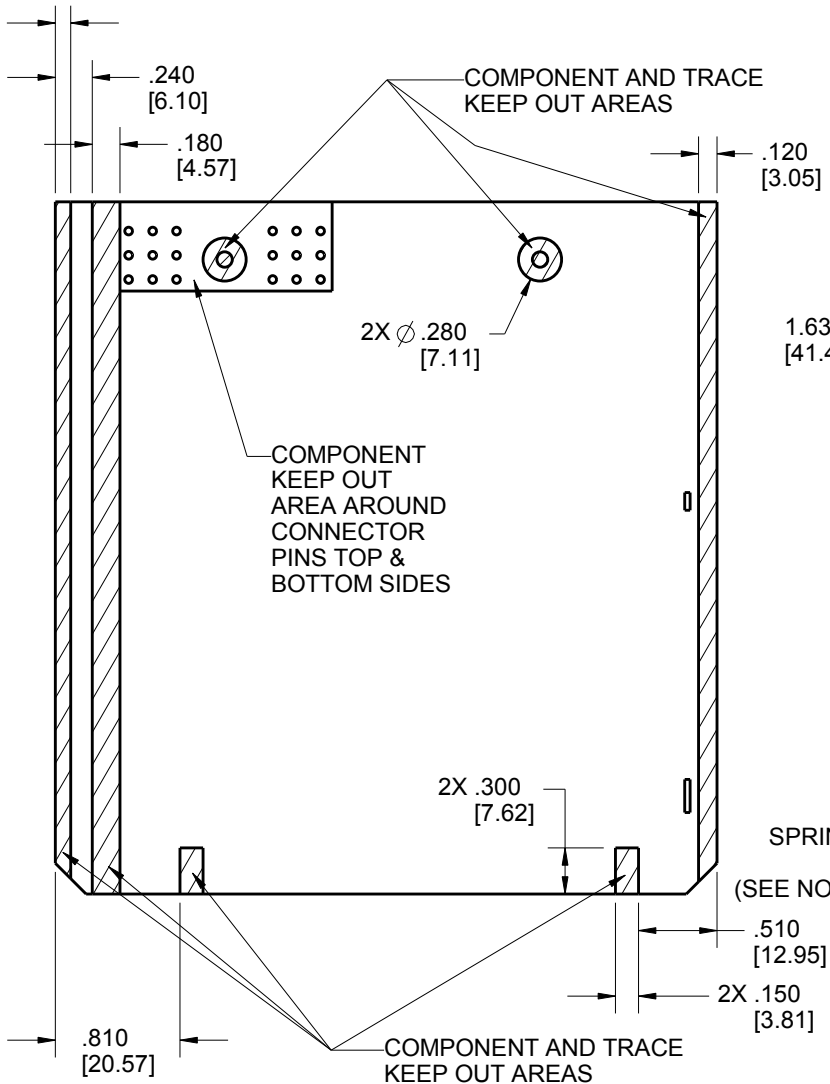
UNITS	<b>ENGLISH</b>	<b>CINCH</b>		1700 FINLEY RD LOMBARD, IL. 60148
DO NOT SCALE DRAWING		TITLE 18-WAY HEADERS MODICE SE		
UNLESS OTHERWISE SPECIFIED: ALL DIMENSIONS ARE IN INCHES		PRO/E DRAWING		
FILLET/RADII .02 MAX	TOLERANCES -X ± .1 XX ± .01 XXX ± .005 ANGULAR ± .5°	CAD FILE NUMBER 5810118032S_HEADERS	DRAWING NUMBER <b>581 01 18 032 S</b>	REV E
THIS DOCUMENT IS THE PROPERTY OF CINCH. NEITHER THIS DOCUMENT NOR ANY OF THE INFORMATION CONTAINED IN IT MAY BE DUPLICATED OR DISCLOSED WITHOUT PRIOR WRITTEN CONSENT OF CINCH.		CAGE IDENT NO. 71785	SCALE 4:5	SHEET 4 OF 6

# PCB LAYOUT WITH ONE HEAT SINK

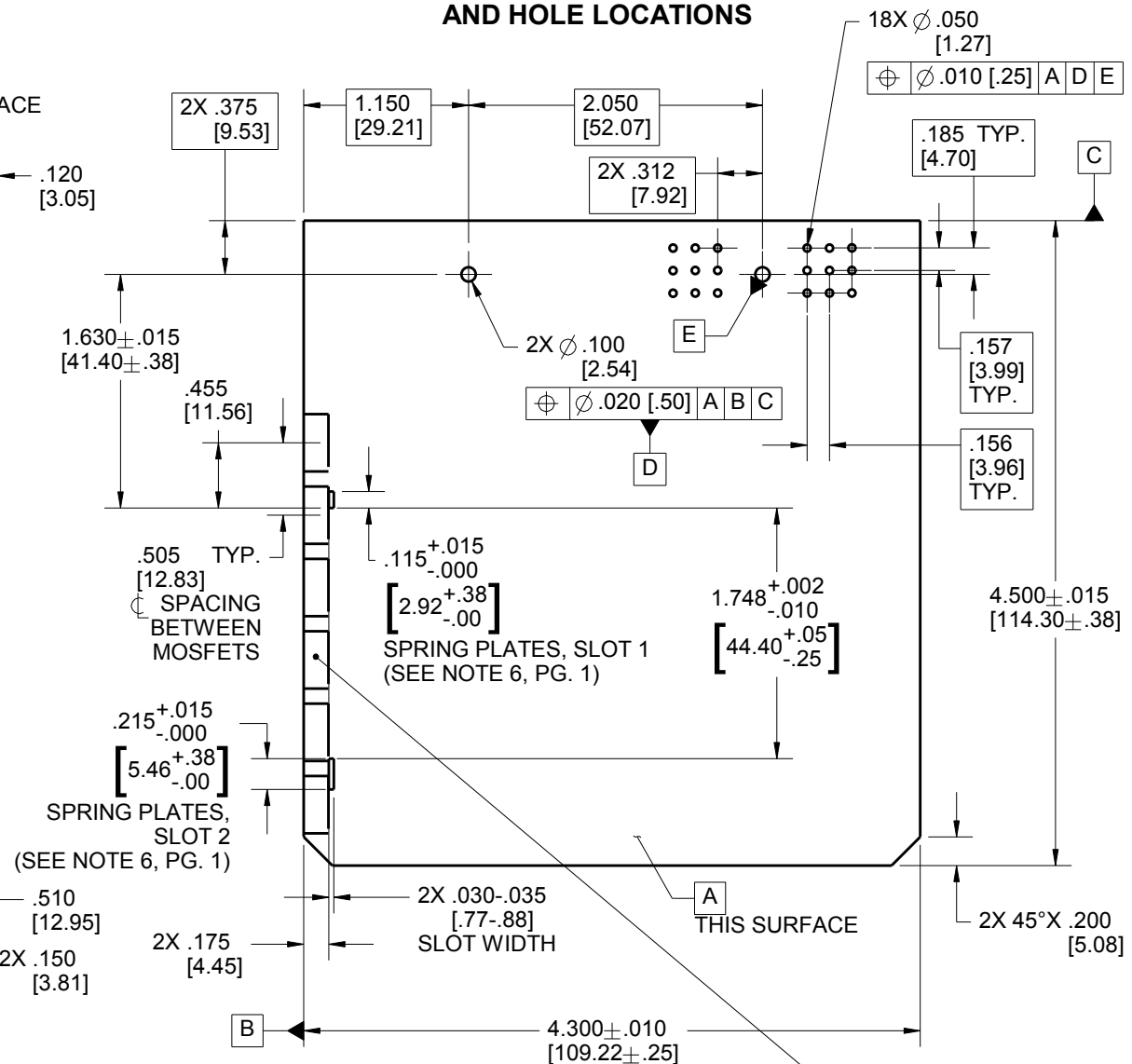
## PCB TOP SIDE GENERAL ZONING & KEEP OUT AREAS



## PCB BOTTOM SIDE GENERAL ZONING & KEEP OUT AREAS



## PCB OVERALL DIMENSIONS AND HOLE LOCATIONS



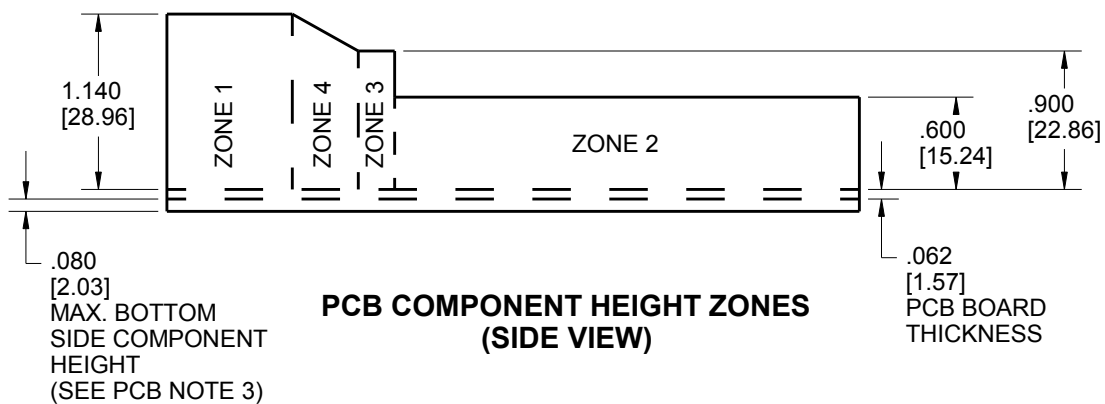
## PCB COMPONENTS HEIGHT LIMIT

	ZONE 1	ZONE 2	ZONE 3	ZONE 4
MAX. HEIGHT FOR COMPONENTS (ABOVE PCB)	1.140"	.600"	.900"	SEE PCB NOTE 4

### PCB NOTES:

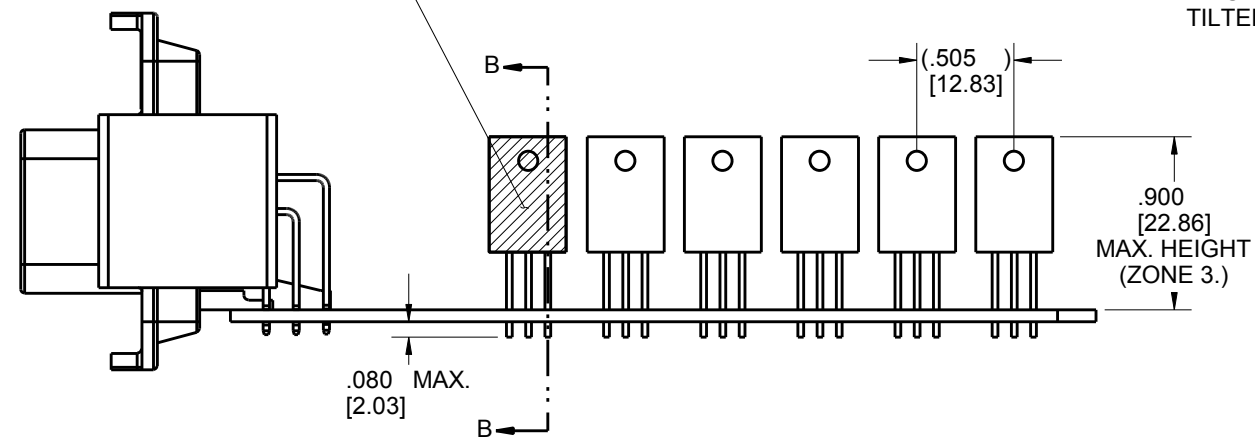
- IF MOSFET SPRINGS ARE USED, ZONE 3 SHOULD CONTAIN ONLY MOSFETS AND TRACES BETWEEN THE SPRINGS AND EDGE OF THE BOARD.
- ON BOTTOM SIDE OF THE PCB, COMPONENTS OR TRACES MUST BE MIN. .100" AWAY FROM THE EDGE OF THE PCB.
- THE BOTTOM SIDE OF THE PCB SHOULD NOT HAVE COMPONENTS OR LEADS THAT EXTEND HIGHER THAN .080" (SEE PG. 6 SIDE VIEW).
- AREA HAS VARIABLE HEIGHT. SEE PCB COMPONENT HEIGHT ZONES VIEW FOR DETAILS.

MOSFET LOCATION(S)  
MAX. 6 TO-220 STYLE  
MOSFETS THIS SIDE ONLY  
THIS SIDE REQUIRES  
MOSFET SPRING LABELED  
AS "R" (SEE NOTE 6, PG. 1)



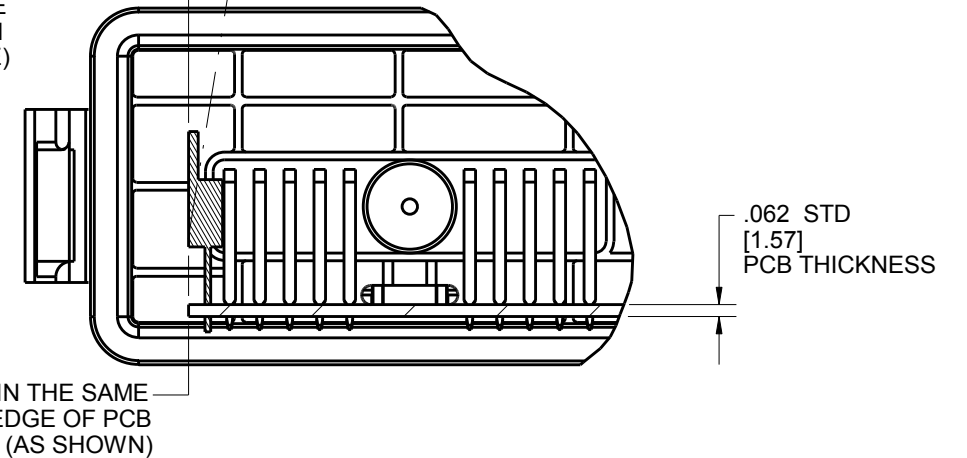
UNITS	<b>ENGLISH</b>	<b>CINCH</b>		1700 FINLEY RD LOMBARD, IL. 60148
DO NOT SCALE DRAWING		TITLE 18-WAY HEADERS MODICE SE		
UNLESS OTHERWISE SPECIFIED: ALL DIMENSIONS ARE IN INCHES		PRO/E DRAWING		
FILLET/RADII .02 MAX	TOLERANCES X $\pm$ .1 XX $\pm$ .01 XXX $\pm$ .005 ANGULAR $\pm$ .5 $^{\circ}$	CAD FILE NUMBER 5810118032S_HEADERS	DRAWING NUMBER 581 01 18 032 S	REV E
THIS DOCUMENT IS THE PROPERTY OF CINCH. NEITHER THIS DOCUMENT NOR ANY OF THE INFORMATION CONTAINED IN IT MAY BE DUPLICATED OR DISCLOSED WITHOUT PRIOR WRITTEN CONSENT OF CINCH.		CAGE IDENT NO. 71785	SCALE 4:5	SHEET 5 OF 6

APPLY THIN BEAD OF THERMALLY CONDUCTIVE ADHESIVE PASTE TO ENTIRE MOSFET SURFACE. (SEE NOTE 5.)



**SIDE VIEW  
REQUIRED TO-220 PACKAGE PROFILE**

FOR EASE OF ASSEMBLY IT IS RECOMMENDED THAT MOSFET(S) BE TILTED UP TO 10° IN POSITIVE DIRECTION (SEE DOTTED LINE)



**REQUIRED TO-220 PACKAGING PROFILE  
PARTIAL SECTION B-B**

UNITS <b>ENGLISH</b>		<b>CINCH</b>		1700 FINLEY RD LOMBARD, IL. 60148	
DO NOT SCALE DRAWING		TITLE 18-WAY HEADERS MODICE SE			
UNLESS OTHERWISE SPECIFIED: ALL DIMENSIONS ARE IN INCHES		PRO/E DRAWING			
FILLET/RADII .02 MAX TOLERANCES AND LIMITS APPLY OVER ADDITIVE FINISH		TOLERANCES .X ± .1 .XX ± .01 .XXX ± .005 ANGULAR ± .5°		CAD FILE NUMBER 5810118032S_HEADERS DRAWING NUMBER <b>581 01 18 032 S</b> REV <b>E</b>	
THIS DOCUMENT IS THE PROPERTY OF CINCH. NEITHER THIS DOCUMENT NOR ANY OF THE INFORMATION CONTAINED IN IT MAY BE DUPLICATED OR DISCLOSED WITHOUT PRIOR WRITTEN CONSENT OF CINCH.		CAGE IDENT NO. <b>71785</b>	SIZE <b>B</b>	SCALE <b>1:1</b>	SHEET 6 OF 6

## X-ON Electronics

Largest Supplier of Electrical and Electronic Components

*Click to view similar products for [Automotive Connectors](#) category:*

*Click to view products by [Bel Fuse](#) manufacturer:*

Other Similar products are found below :

[003-018-000](#) [60403001](#) [60993906-B](#) [M902-2131](#) [M902-2161](#) [M902-2344](#) [72.330.1035.1](#) [73.353.4028.0](#) [F119300-B](#) [F166900](#) [F258300-B](#)  
[F358300-B](#) [F407400](#) [F444110](#) [F487000](#) [F509500B-B](#) [827153-1](#) [8N1515-32-24P](#) [9-1326729-8](#) [925474-1](#) [928905-1](#) [964562-4](#) [968782-1](#)  
[GT17SA-8DS-HU](#) [98891-1012](#) [98947-1016](#) [12004147](#) [12004475-L](#) [12010290](#) [12015454](#) [12020219-B](#) [12041318-B](#) [12052225-L](#) [12052466](#)  
[12064869](#) [12004327-B](#) [12015308](#) [12015384](#) [12015909](#) [1-21030-1](#) [12041254](#) [12041318](#) [12047946-B](#) [12047957](#) [12047957-L](#) [12059473](#)  
[12066261](#) [12110546](#) [12110546-B](#) [12131792](#)