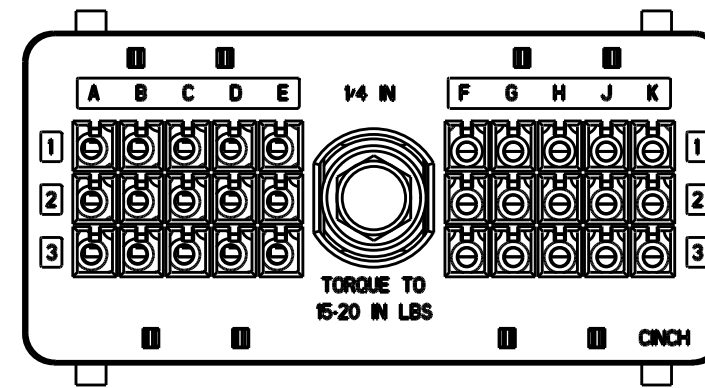
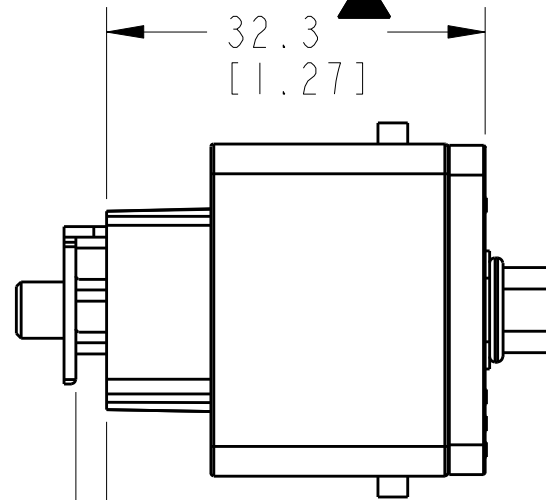
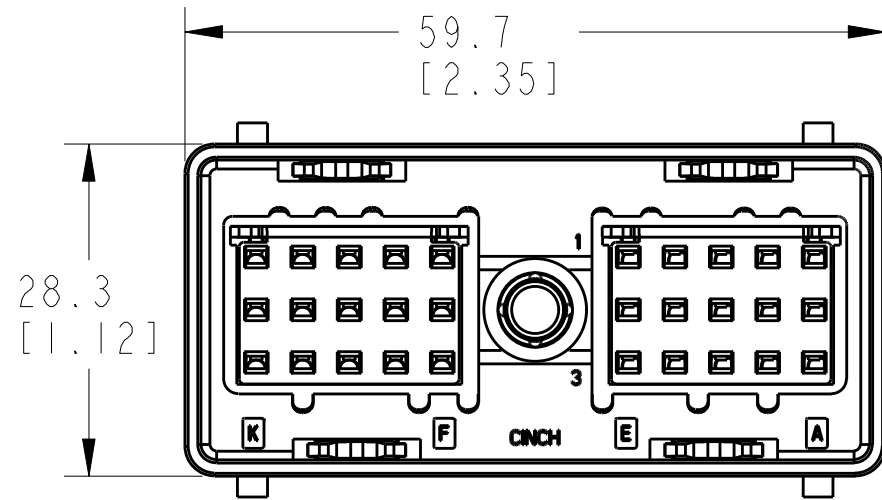


DRAWING REVISIONS (RELEASE DATE ON FILE)			
REV	DOCUMENT	APP	APPROVAL DATE
E	PER C.O.# 851	V.R.	02/09/10



REAR VIEW

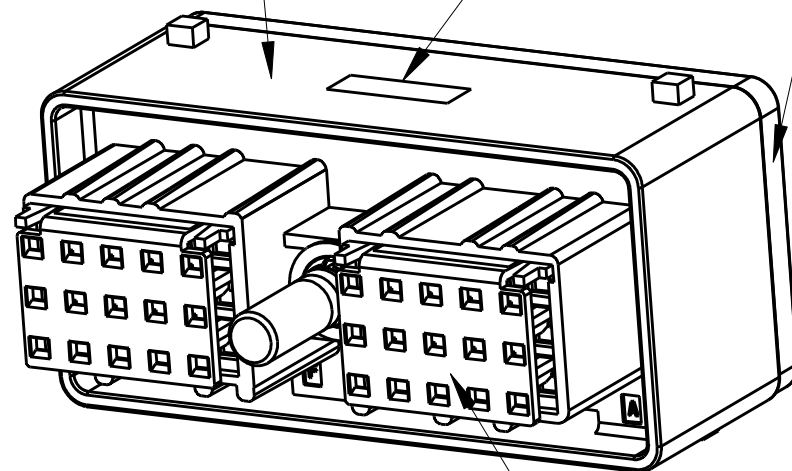
2.6 REF
[.10]

SECONDARY LOCK SHIPPED
IN PRE-STAGED POSITION

INSULATOR COLOR: GREY
(POLYAMIDE BASED
ALLOY GLASS-FILLED)

DATE CODE

BACK PLATE
COLOR: GREY
(GLASS-FILLED POLYESTER)



JACKSCREW, STEEL
10-24 UNC THREAD
(YELLOW TRIVALENT CHROMATE)

SECONDARY LOCK
COLOR: WHITE
(GLASS-FILLED POLYESTER)

NOTES:

- ALL DIMENSIONS ARE IN MILLIMETERS, DIMENSIONS IN [] ARE IN INCHES.
- FOR WIRE SIZE APPLICATION, CONSULT FACTORY.
- FEMALE TERMINAL ORDERED SEPARATELY: 425 00 00 873/872.
- MATES WITH CINCH HEADER CONNECTOR (CONSULT FACTORY).
- SEAL PLUG ORDERED SEPARATELY: 581 00 00 011.
- TOLERANCES UNLESS OTHERWISE SPECIFIED:
.X ±0.5
.XX ±0.25
- SEALING RANGE FOR WIRE INSULATION DIA.;
MAX 2.64MM (.104"), MIN 1.96MM (.077").
- A TRIANGLE ▲ INDICATES CRITICAL FUNCTION DIMENSION.
- IF TIE-WRAP DRESSING CONDUCTORS, CINCH RECOMMENDS A SPACING OF NO LESS THAN 2 INCHES BEHIND THE BACK PLATE.

UNITS METRIC	DESIGN ENGINEER A. CAINES	DATE 5/03/01	MODELED BY: J. DRYE
DO NOT SCALE DRAWING	PRO/E		1700 FINLEY RD LOMBARD, IL. 60148
UNLESS OTHERWISE SPECIFIED: ALL DIMENSIONS ARE IN mm	APPROVALS ON FILE		TITLE CONNECTOR ASSEMBLY SOCKET 30 POSITION
CONFIDENTIAL THIS DOCUMENT IS THE PROPERTY OF CINCH. NEITHER THIS DOCUMENT NOR ANY OF THE INFORMATION CONTAINED IN IT MAY BE DUPLICATED OR DISCLOSED WITHOUT PRIOR WRITTEN CONSENT OF CINCH. ©COPYRIGHT 2009 CINCH	MATERIAL SEE VIEW		CONTROL SPEC NUMBER POLAR A
	CAGE IDENT NO. SIZE 71785 B		PROJECT NUMBER A14243
	DRAWING NUMBER 5810130027S		SCALE 1.000 SHEET 1 OF 1

X-ON Electronics

Largest Supplier of Electrical and Electronic Components

Click to view similar products for [Automotive Connectors](#) category:

Click to view products by [Bel Fuse](#) manufacturer:

Other Similar products are found below :

[003-018-000](#) [60403001](#) [60993906-B](#) [M902-2131](#) [M902-2161](#) [M902-2344](#) [72.330.1035.1](#) [73.353.4028.0](#) [F119300-B](#) [F166900](#) [F258300-B](#)
[F358300-B](#) [F407400](#) [F444110](#) [F487000](#) [F509500B-B](#) [827153-1](#) [8N1515-32-24P](#) [9-1326729-8](#) [925474-1](#) [928905-1](#) [964562-4](#) [968782-1](#)
[GT17SA-8DS-HU](#) [98891-1012](#) [98947-1016](#) [12004147](#) [12004475-L](#) [12010290](#) [12010309-B](#) [12015454](#) [12020219-B](#) [12041318-B](#) [12052225-](#)
[L](#) [12052466](#) [12064869](#) [12004327-B](#) [12015308](#) [12015384](#) [12015909](#) [1-21030-1](#) [12041254](#) [12041318](#) [12047946-B](#) [12047957](#) [12047957-L](#)
[12059473](#) [12066261](#) [12110546](#) [12110546-B](#)