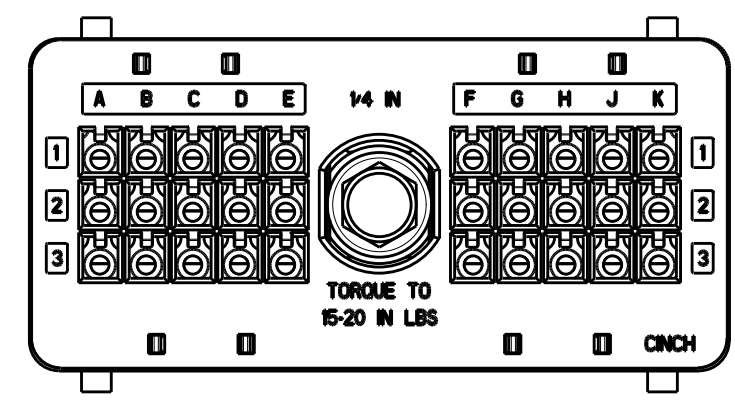
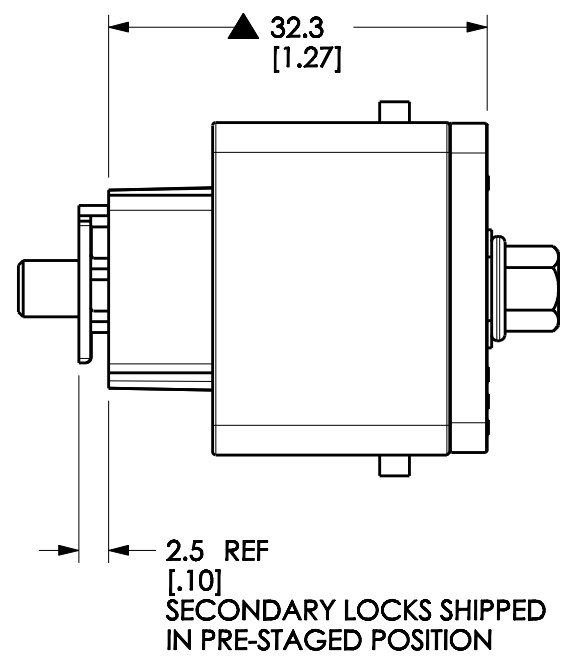
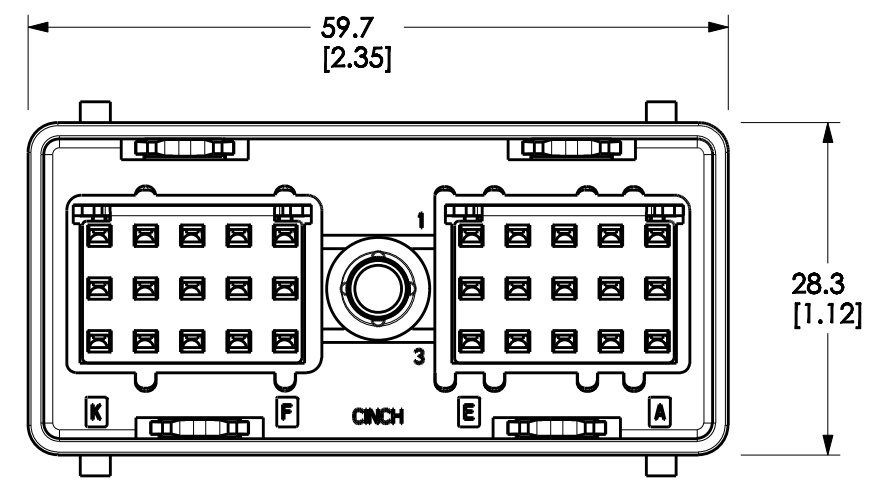
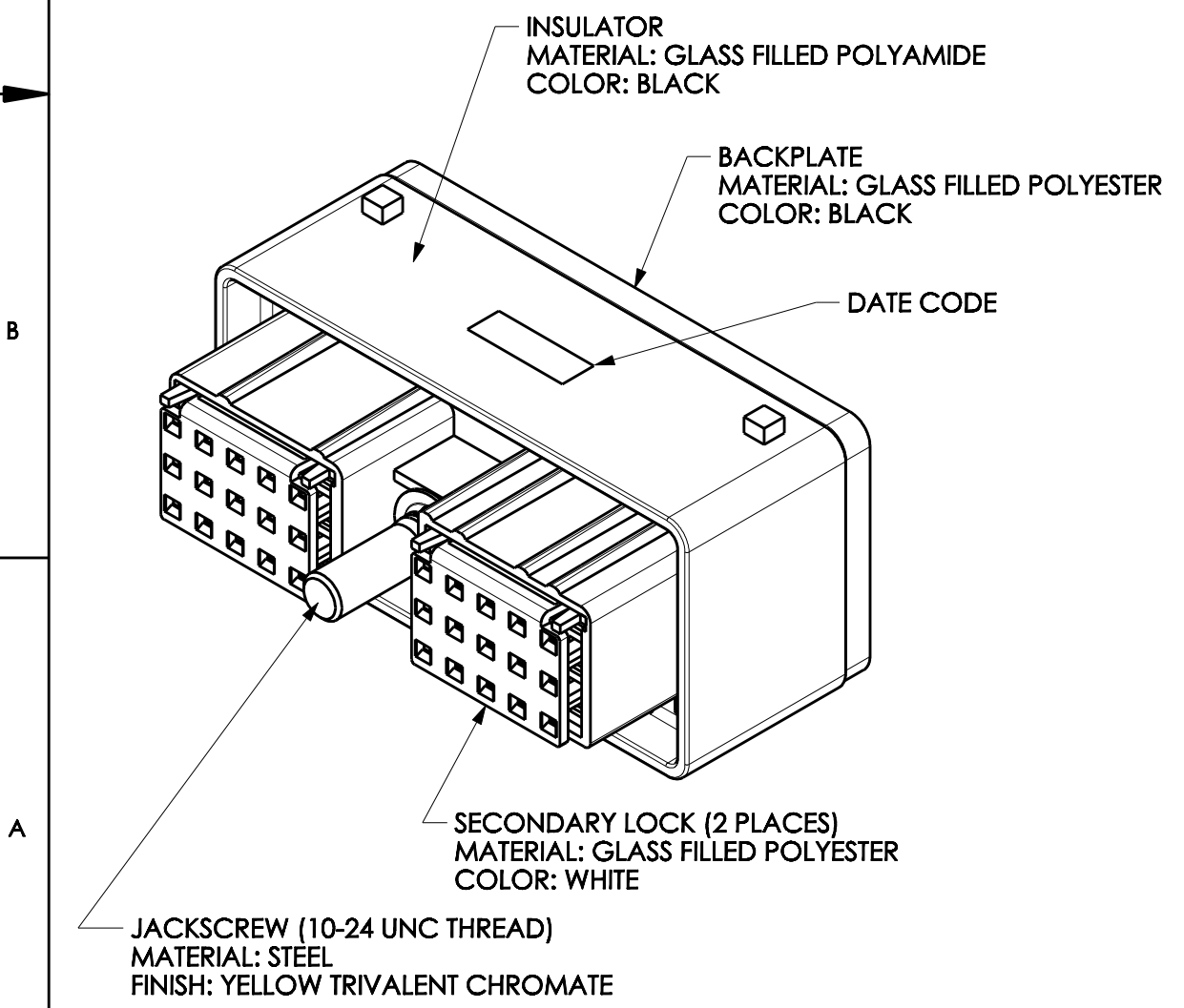


DRAWING REVISIONS (RELEASE DATE ON FILE)			
REV	DOCUMENT	APP	APPROVAL DATE
E	PER CO # 851	V.R.	02/09/10



**REAR VIEW**



- NOTES:**
1. ALL DIMENSIONS SHOWN AS MILLIMETERS [INCHES].
  2. FOR ALL WIRE SIZE APPLICATIONS, CONSULT FACTORY.
  3. FEMALE TERMINALS ORDERED SEPARATELY: P/N 425 00 00 873/872.
  4. PART MATES WITH CINCH HEADER CONNECTORS, CONSULT FACTORY.
  5. SEAL PLUGS ORDERED SEPARATELY: P/N 581 00 00 011.
  6. DRAWING TOLERANCES: (UNLESS OTHERWISE SPECIFIED)  
X.X = ±0.5mm  
X.XX = ±0.25mm
  7. SEALING RANGE FOR WIRE INSULATION DIAMETER:  
2.64mm [.104"] MAXIMUM; 1.96mm [.077"] MINIMUM.
  8. A TRIANGLE "▲" INDICATES A CHARACTERISTIC REQUIRING INSPECTION VERIFICATION.
  9. IF TIE-WRAP DRESSING CONDUCTORS, CINCH RECOMMENDS A SPACING OF NO LESS THAN 2 INCHES BEHIND THE BACK PLATE.

UNITS		<b>METRIC</b>		<b>PRO/E</b>		<b>CINCH</b>		<small>MODELED BY: J. DRYE</small> 1700 FINLEY RD LOMBARD, IL 60148	
DO NOT SCALE DRAWING				DESIGN ENGINEER	DATE	TITLE			
UNLESS OTHERWISE SPECIFIED: ALL DIMENSIONS ARE IN mm				A.CAINES	05/03/01	CONNECTOR ASSEMBLY SOCKET 30 POSITION			
<small>FILLET/RADII 0.50 MAX.</small>		<small>TOLERANCES X ± 0.3 XX ± 0.13 XXX ± 0.025 ANGULAR ± 0.5</small>		<b>APPROVALS ON FILE</b>		MATERIAL		CONTROL SPEC NUMBER	
MATERIAL SPEC NUMBER		FINISH				PROJECT NUMBER			
CAGE IDENT NO.		SIZE				SCALE			
5810130029S		71785 B		1.500		DRAWING NUMBER		SHEET 1 OF 1	
5810130029S		71785 B		1.500		5810130029S			

**CONFIDENTIAL**  
THIS DOCUMENT IS THE PROPERTY OF CINCH.  
NEITHER THIS DOCUMENT NOR ANY OF  
THE INFORMATION CONTAINED IN IT MAY  
BE DUPLICATED OR DISCLOSED WITHOUT  
PRIOR WRITTEN CONSENT OF CINCH.  
©COPYRIGHT 2010 CINCH

## X-ON Electronics

Largest Supplier of Electrical and Electronic Components

*Click to view similar products for [Automotive Connectors](#) category:*

*Click to view products by [Bel Fuse](#) manufacturer:*

Other Similar products are found below :

[003-018-000](#) [60403001](#) [60993906-B](#) [M902-2131](#) [M902-2161](#) [M902-2344](#) [72.330.1035.1](#) [73.353.4028.0](#) [F119300-B](#) [F166900](#) [F258300-B](#)  
[F358300-B](#) [F407400](#) [F444110](#) [F487000](#) [F509500B-B](#) [827153-1](#) [8N1515-32-24P](#) [9-1326729-8](#) [925474-1](#) [928905-1](#) [964562-4](#) [968782-1](#)  
[GT17SA-8DS-HU](#) [98891-1012](#) [98947-1016](#) [12004147](#) [12004475-L](#) [12010290](#) [12010309-B](#) [12015454](#) [12020219-B](#) [12041318-B](#) [12052225-](#)  
[L](#) [12052466](#) [12064869](#) [12004327-B](#) [12015308](#) [12015384](#) [12015909](#) [1-21030-1](#) [12041254](#) [12041318](#) [12047946-B](#) [12047957](#) [12047957-L](#)  
[12059473](#) [12066261](#) [12110546](#) [12110546-B](#)