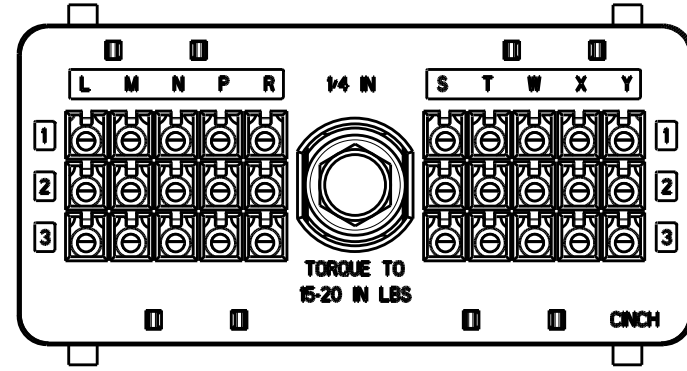
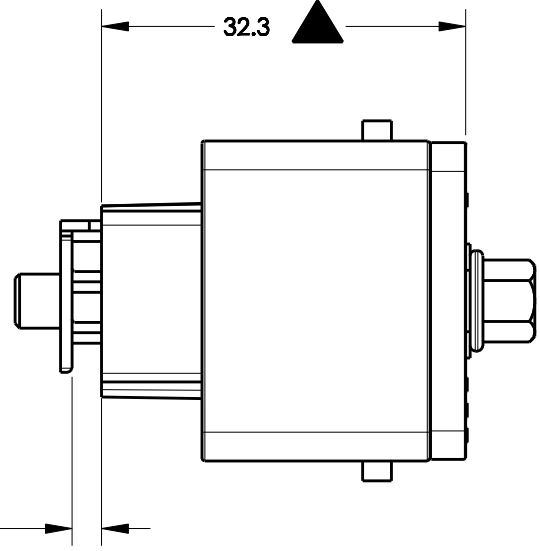
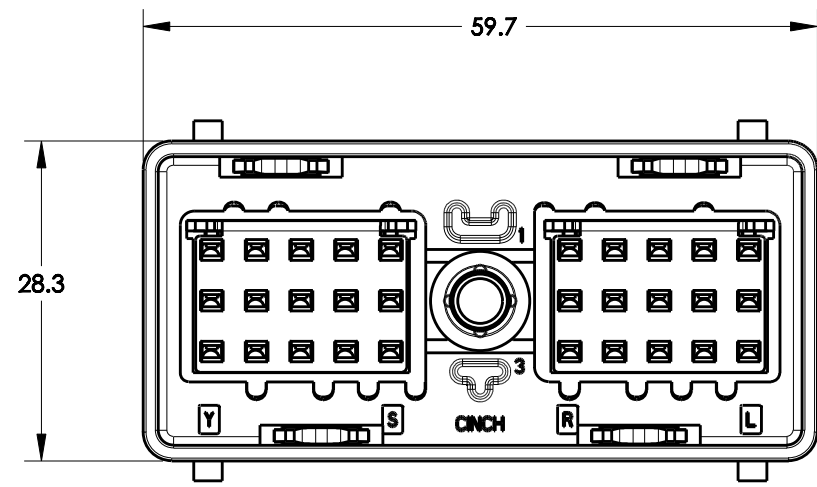


DRAWING REVISIONS (RELEASE DATE ON FILE)			
REV	DOCUMENT	APP	APPROVAL DATE
D	PER CO # 851	V.R.	02/09/10



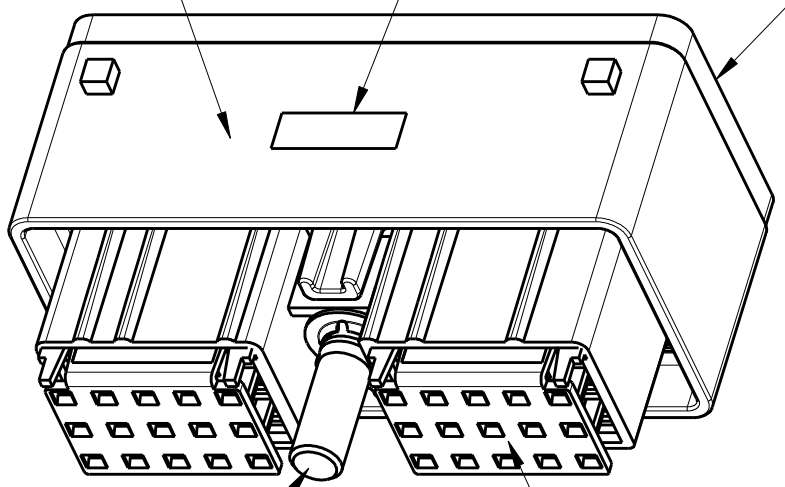
REAR VIEW

2.6REF  
SECONDARY LOCK SHIPPED  
IN PRE-STAGED POSITION

INSULATOR COLOR: WHITE  
(POLYIMIDE BASED  
ALLOY GLASS-FILLED)

DATE CODE

BACK PLATE  
COLOR: NATURAL (WHITE)  
(GLASS-FILLED POLYESTER)



SECONDARY LOCK  
COLOR: WHITE  
(GLASS-FILLED POLYESTER)

JACKSCREW, STEEL  
10-24 UNC THREAD  
(YELLOW TRIVALENT CHROMATE)

NOTES:

1. ALL DIMENSIONS ARE IN MILLIMETERS. DIMENSIONS IN [ ] ARE IN INCHES.
2. FOR WIRE SIZE APPLICATION, CONSULT FACTORY.
3. FEMALE TERMINAL ORDERED SEPARATELY: 425 00 00 873/872.
4. MATES WITH CINCH HEADER CONNECTOR (CONSULT FACTORY).
5. SEAL PLUG ORDERED SEPARATELY: 581 00 00 011.
6. TOLERANCES UNLESS OTHERWISE SPECIFIED:  
.X ±0.5  
.XX ±0.25
7. SEALING RANGE FOR WIRE INSULATION DIA.:  
MAX 2.64MM (.104"), MIN 1.96MM (.077")
8. A TRIANGLE "▲" INDICATES CRITICAL FUNCTION DIMENSION.}
9. IF TIE-WRAP DRESSING CONDUCTORS, CINCH RECOMMENDS A SPACING }  
OF NO LESS THAN 2 INCHES BEHIND THE BACK PLATE.

UNITS <b>METRIC</b>		DESIGN ENGINEER J. DRYE	DATE 08/20/02	<b>CINCH</b> <small>1700 FINLEY RD. LOMBARD, IL 60148</small>	
DO NOT SCALE DRAWING		APPROVALS ON FILE		<b>CONNECTOR ASSEMBLY SOCKET 30 POSITION</b>	
<small>UNLESS OTHERWISE SPECIFIED: ALL DIMENSIONS ARE IN mm</small>		<small>MATERIAL</small> SEE VIEW		<small>CONTROL SPEC NUMBER</small> POLAR E	
<small>FILLET/RADII 0.50 MAX.</small>		<small>TOLERANCES</small> X ± 0.3 XX ± 0.13 XXX ± 0.025 ANGULAR ± 0.5°		<small>MATERIAL SPEC NUMBER</small> -	
<small>CONFIDENTIAL THIS DOCUMENT IS THE PROPERTY OF CINCH. NEITHER THIS DOCUMENT NOR ANY OF THE INFORMATION CONTAINED IN IT MAY BE DUPLICATED OR DISCLOSED WITHOUT PRIOR WRITTEN CONSENT OF CINCH. ©COPYRIGHT 2010 CINCH</small>		<small>CAD FILE NUMBER</small> 5810130031S		<small>DRAWING NUMBER</small> 5810130031S	
<small>CAGE IDENT NO.</small> 71785		<small>SCALE</small> 3:2		<small>PROJECT NUMBER</small> A14454	
<small>SIZE</small> B		<small>SHEET 1 OF 1</small>		<small>CONTROL SPEC NUMBER</small> POLAR E	

## X-ON Electronics

Largest Supplier of Electrical and Electronic Components

*Click to view similar products for [Automotive Connectors](#) category:*

*Click to view products by [Bel Fuse](#) manufacturer:*

Other Similar products are found below :

[003-018-000](#) [60403001](#) [60993906-B](#) [M902-2131](#) [M902-2161](#) [M902-2344](#) [72.330.1035.1](#) [73.353.4028.0](#) [F119300-B](#) [F166900](#) [F258300-B](#)  
[F358300-B](#) [F407400](#) [F444110](#) [F487000](#) [F509500B-B](#) [827153-1](#) [8N1515-32-24P](#) [9-1326729-8](#) [925474-1](#) [928905-1](#) [964562-4](#) [968782-1](#)  
[GT17SA-8DS-HU](#) [98891-1012](#) [98947-1016](#) [12004147](#) [12004475-L](#) [12010290](#) [12010309-B](#) [12015454](#) [12020219-B](#) [12041318-B](#) [12052225-](#)  
[L](#) [12052466](#) [12064869](#) [12004327-B](#) [12015308](#) [12015384](#) [12015909](#) [1-21030-1](#) [12041254](#) [12041318](#) [12047946-B](#) [12047957](#) [12047957-L](#)  
[12059473](#) [12066261](#) [12110546](#) [12110546-B](#)