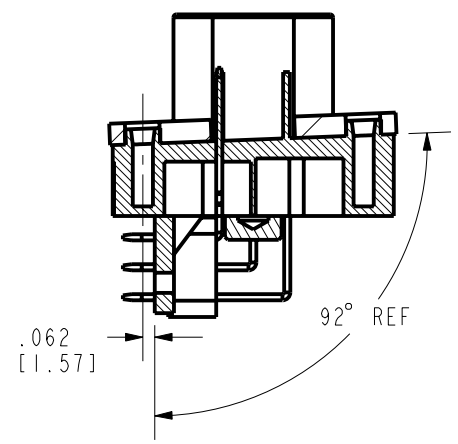
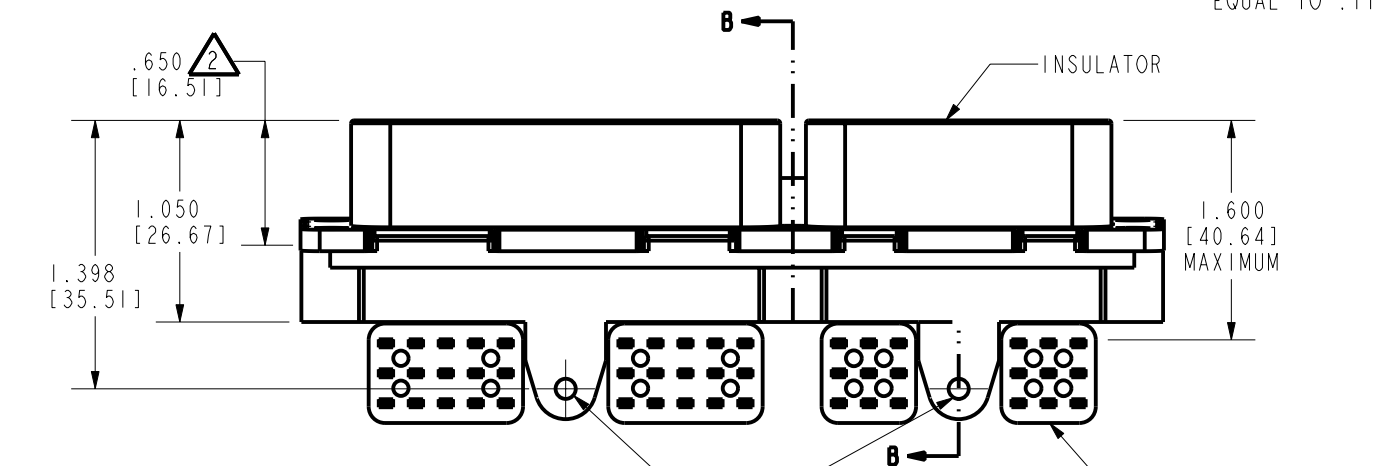


SECTION A-A



SECTION B-B

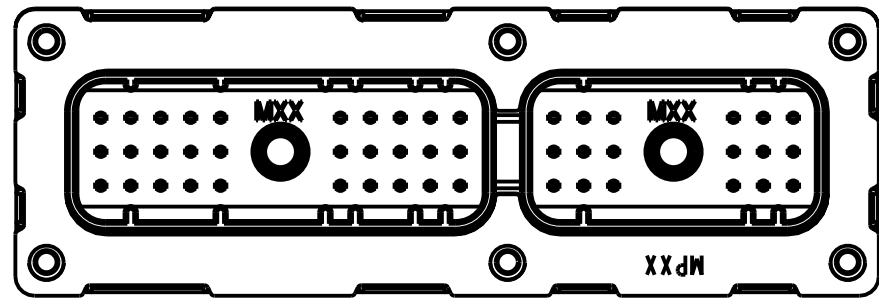
DRAWING REVISIONS			
REV	DOCUMENT	APP	DATE
A	RELEASED	JOD	05/11/97
B	ADD: ONLY IF... CHG: PANEL SCREW 8.5±0.5 PER ECN#01A682		

**NOTES:**

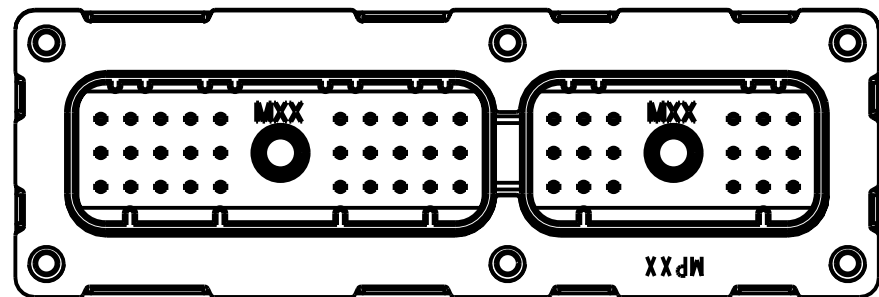
- ALL DIMENSIONS IN [ ] ARE IN MILLIMETERS.
- $\triangle$  .650 [16.51] TO BE MEASURED AT THE CENTER OF WIDTH OF CONNECTOR.
- MATERIAL:  
 TERMINAL BLADE: BRASS WITH TIN-LEAD OVER NICKEL PLATING.  
 JACKSCREW BUSHING: BRASS, UNPLATED.  
 INSULATOR: 30% GLASS FILLED PBT POLYESTER.  
 PANEL SEAL: SILICON RUBBER COLOR: BLUE.  
 INTERFACE SEAL: SILICON RUBBER COLOR: BLUE.
- SOLDERABILITY MEETS USCAR 5.4.1.
- MATES WITH CINCH PUSH-TO SEAT HARNESS CONNECTOR (CONSULT FACTORY).
- STANDARD CELL PACK, QUANTITY 75 PIECES.
- RECOMMENDED TORQUE:  
 JACKSCREW 15-20 INLBS [1.7-2.3 Nm]  
 PANEL SCREW 8.5±0.5 INLBS [0.9±0.1 Nm]  
 PCB RETENTION SCREW 2-3 INLBS [0.23-0.34 Nm]

RECOMMENDED MOUNTING SCREW #4-20(SH) SELF-TAPPING PLASTITE .50[12.7] ONLY IF MOUNTING MODULE WALL THICKNESS IS LESS THAN OR EQUAL TO .118[3]

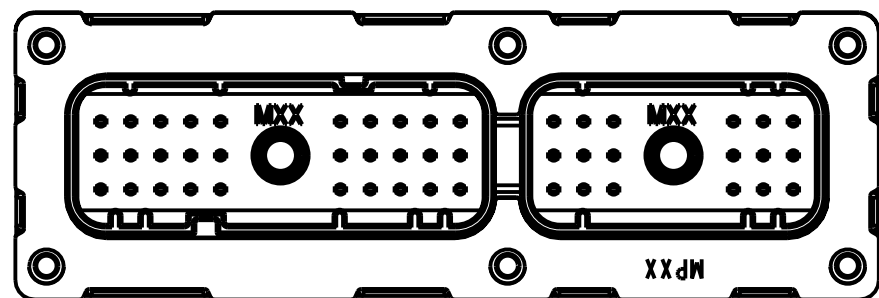
UNITS	ENGLISH	PRO/E	Cinch		1700 FINLEY RD LOMBARD, IL. 60148
DO NOT SCALE DRAWING	DRAWN BY T. RANDAZZO	DATE 07/16/93	TITLE CONNECTOR ASSEMBLY, RECEPTACLE 48 POSITION		
	DESIGN ENGINEER T. RANDAZZO	07/16/93	MATERIAL		CONTROL SPEC NUMBER
	DESIGN ENGINEERING MGR. A. SHAH	02/02/94	MATERIAL SPEC NUMBER	FINISH	PROJECT NUMBER C13841
THIS DOCUMENT IS THE PROPERTY OF CINCH. NEITHER THIS DOCUMENT NOR ANY OF THE INFORMATION CONTAINED IN IT MAY BE DUPLICATED OR DISCLOSED WITHOUT PRIOR WRITTEN CONSENT OF CINCH.	MFG. ENGINEERING J. ROUSSEAU	05/17/94	CAD FILE NUMBER 5810148001S	DRAWING NUMBER <b>581 01 48 001S</b>	
	QUALITY ASSURANCE R. SCHLACKS	05/18/94	CAGE IDENT NO. SIZE 71785 B	SCALE 1.000	SHEET 1 OF 2



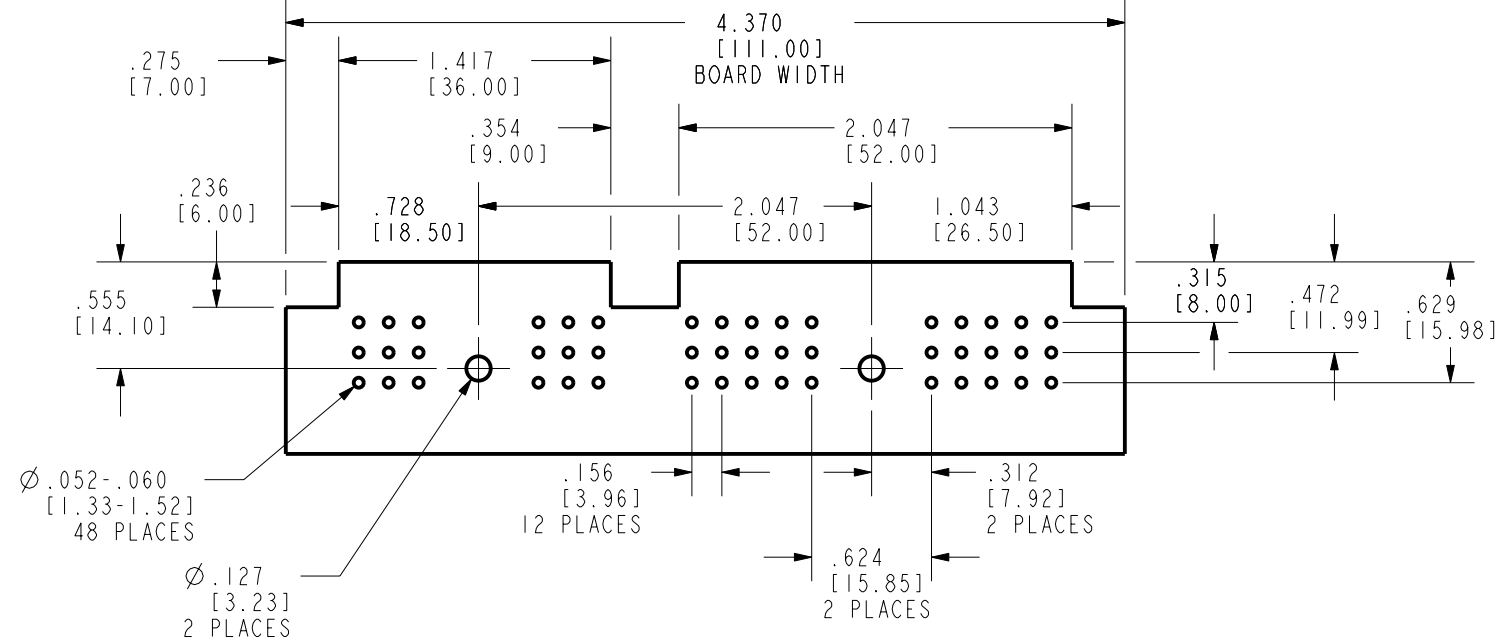
**POLARIZATION A**  
581 01 48 001  
HOUSING COLOR : BLACK



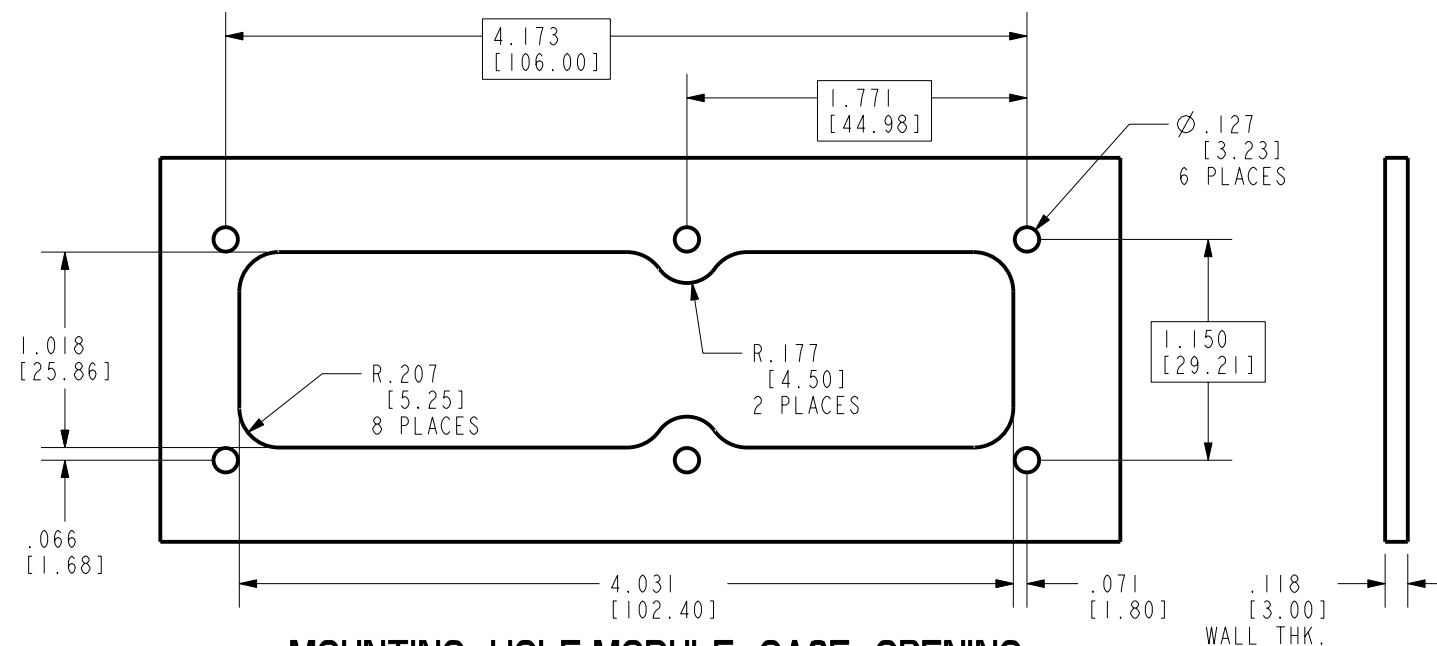
**POLARIZATION B**  
581 01 48 002  
HOUSING COLOR : NATURAL



**POLARIZATION C**  
581 01 48 003  
HOUSING COLOR : GRAY



**RECOMMENDED PC BOARD LAYOUT**  
SCALE 1.000



**MOUNTING HOLE-MODULE CASE OPENING**  
SCALE 1.000

UNITS <b>ENGLISH</b>	<b>Cinch</b>		1700 FINLEY RD LOMBARD, IL. 60148
DO NOT SCALE DRAWING	TITLE CONNECTOR ASSEMBLY, RECEPTACLE 48 POSITION		
	<b>PRO/E DRAWING</b>		
THIS DOCUMENT IS THE PROPERTY OF CINCH. NEITHER THIS DOCUMENT NOR ANY OF THE INFORMATION CONTAINED IN IT MAY BE DUPLICATED OR DISCLOSED WITHOUT PRIOR WRITTEN CONSENT OF CINCH.	CAD FILE NUMBER 5810148001S	DRAWING NUMBER 581 01 48 001S	REV B
	CAGE IDENT NO. SIZE 71785 B	SCALE 1.000	SHEET 2 OF 2

## X-ON Electronics

Largest Supplier of Electrical and Electronic Components

*Click to view similar products for [Automotive Connectors](#) category:*

*Click to view products by [Bel Fuse](#) manufacturer:*

Other Similar products are found below :

[003-018-000](#) [600858](#) [60403001](#) [60993906-B](#) [60993913-B](#) [629515004020001](#) [M902-2131](#) [M902-2161](#) [M902-2344](#) [72.330.1035.1](#)  
[73.353.4028.0](#) [F118010](#) [F119300-B](#) [F132210](#) [F132210-B](#) [F166900](#) [F180100](#) [F258300](#) [F258300-B](#) [F294300-B](#) [F339100](#) [F339700](#) [F358300-](#)  
[B](#) [F374110](#) [F407400](#) [F412210](#) [F427600](#) [F444110](#) [F487000](#) [F495100-B](#) [F500900-B](#) [F509500B-B](#) [770444-1](#) [776880-1](#) [827153-1](#) [881735-1](#)  
[8N1515-32-24P](#) [9-1326727-8](#) [9-1326729-8](#) [925467-1](#) [925474-1](#) [928905-1](#) [936398-2](#) [964562-1](#) [964562-4](#) [964731-2](#) [965051-1](#) [968782-1](#)  
[GT17SA-8DS-HU](#) [GT17VS-10DP-5.2CF](#)