

8

7

6

5

4

3

2

1

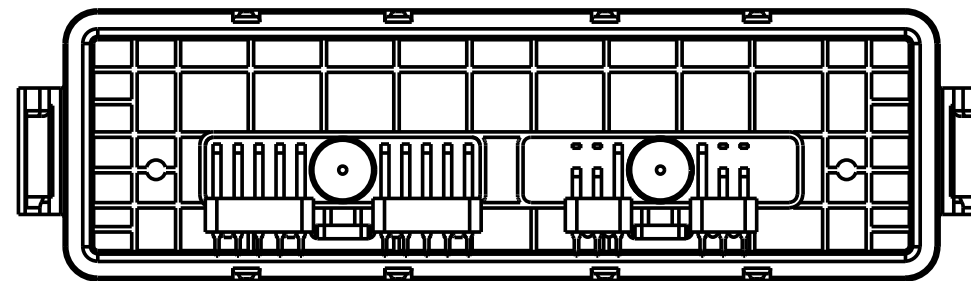
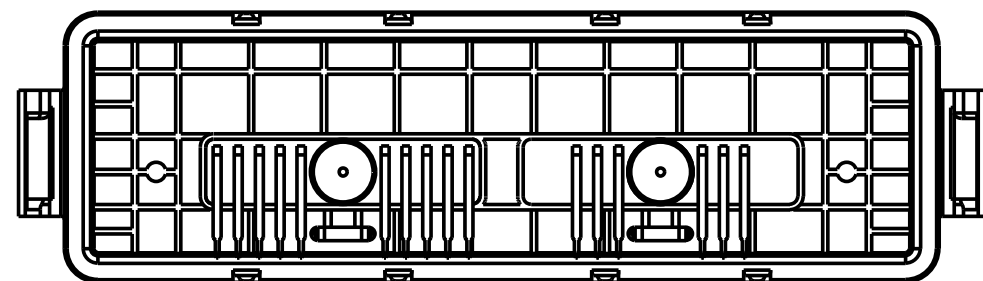
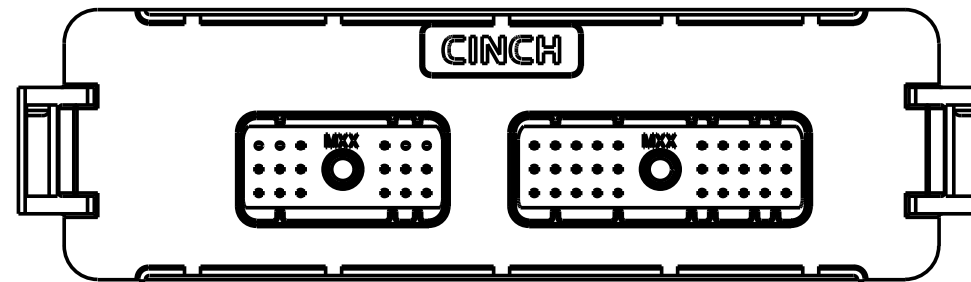
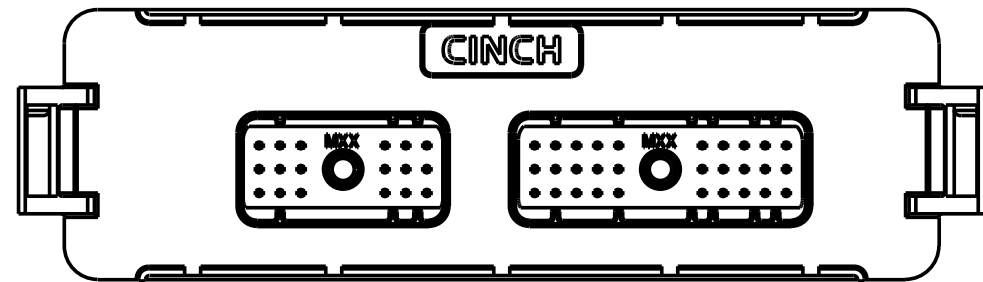
# CINCH PART NUMBER MATRIX

P/N: 581 01 48 006

P/N: 581 01 48 008

48-WAY HEADER ASSEMBLY WITHOUT FERRITE FILTERS

48-WAY HEADER ASSEMBLY WITH FERRITE FILTERS



MATES WITH CINCH HARNESS CONNECTORS P/N:  
581 01 18 023 (18-WAY) AND 581 01 30 029 (30-WAY)

**NOTE:**

- ALL DIMENSIONS ARE IN INCHES; DIMENSION INSIDE [.XX] ARE IN MM, AS REF. ONLY.
- MATERIALS:  
INTERFACE SEAL: SILICONE RUBBER, COLOR BLUE;  
INSULATOR: 30 % GLASS FILLED POLYMER, COLOR BLACK;  
BUSHING: BRASS ALLOY, UNPLATED 10-24 UNC THREAD;  
TERMINAL BLADE: 1.5 MM BRASS WITH TIN OVER NICKEL PLATING;  
FILTERS: FERRITE BLOCKS.
- ALL HEADERS ARE REFLOW AND WAVE SOLDERING PROCESS, ROHS COMPLIANT.
- MATES WITH CINCH SHS PUSH-TO-SEAT HARNESS CONNECTORS (SEE TABLE ABOVE).
- THERMALLY CONDUCTIVE ADHESIVE PASTE SOLD SEPARATELY: RECOMMENDED IS LOCTITE 383.
- MOSFET SPRING PLATES ARE SOLD SEPARATELY (FOR INSTALLATION REFER TO ENCLOSURE ASSEMBLY INSTRUCTIONS) SPRING LABELED AS "L" IS CINCH P/N: 581 00 00 020 AND SPRING LABELED AS "R" IS CINCH P/N: 581 00 00 021. (IT IS RECOMMENDED THAT THE 4 SLOTS BE PROTECTED DURING CONFORMAL COATING)
- STANDARD PACKAGE SIZE: 36 PARTS/CARTON BOX.

### DRAWING REVISIONS

REV	DOCUMENT	APP	DATE
A	D.O. 05-1217 REL. FOR PRODUCTION	A.C.	9/9/05
B	ECN: 06A069 ADDED SHEET 5 ADDED SHEET 6 MODIFIED SHEET 3 MODIFIED SHEET 4	A.C.	3/23/06
C	ECN: 06A478 REFORMATTED DRAWING PCB LAYOUTS REDRAWN WITH ADDITIONAL KEEP OUT AREAS	A.C.	11/07/06

**NOTE:**

- ALL DIMENSIONS ARE IN INCHES; DIMENSION INSIDE [.XX] ARE IN MM, AS REF. ONLY.
- MATERIALS:  
INTERFACE SEAL: SILICONE RUBBER, COLOR BLUE;  
INSULATOR: 30 % GLASS FILLED POLYMER, COLOR BLACK;  
BUSHING: BRASS ALLOY, UNPLATED 10-24 UNC THREAD;  
TERMINAL BLADE: 1.5 MM BRASS WITH TIN OVER NICKEL PLATING;  
FILTERS: FERRITE BLOCKS.
- ALL HEADERS ARE REFLOW AND WAVE SOLDERING PROCESS, ROHS COMPLIANT.
- MATES WITH CINCH SHS PUSH-TO-SEAT HARNESS CONNECTORS (SEE TABLE ABOVE).
- THERMALLY CONDUCTIVE ADHESIVE PASTE SOLD SEPARATELY: RECOMMENDED IS LOCTITE 383.
- MOSFET SPRING PLATES ARE SOLD SEPARATELY (FOR INSTALLATION REFER TO ENCLOSURE ASSEMBLY INSTRUCTIONS) SPRING LABELED AS "L" IS CINCH P/N: 581 00 00 020 AND SPRING LABELED AS "R" IS CINCH P/N: 581 00 00 021. (IT IS RECOMMENDED THAT THE 4 SLOTS BE PROTECTED DURING CONFORMAL COATING)
- STANDARD PACKAGE SIZE: 36 PARTS/CARTON BOX.

### RoHS COMPLIANT

UNITS	ENGLISH	PRO/E	MODELED BY:
DO NOT SCALE DRAWING	DRAWN BY <b>B. KOSTIC</b>	DATE 9/02/05	TITLE <b>48-WAY HEADERS LE MODICE</b>
UNLESS OTHERWISE SPECIFIED: ALL DIMENSIONS ARE IN INCHES	DESIGN ENGINEER <b>B. KOSTIC</b>	9/02/05	MATERIAL SPEC NUMBER
FILLET/RADII .02 MAX	DESIGN ENGINEERING MGR. <b>A. CAINES</b>	9/9/05	PROJECT NUMBER <b>A 14562</b>
TOLERANCES AND LIMITS APPLY OVER ADDITIVE FINISH	MFG. ENGINEERING <b>R. GARZA</b>	9/15/05	CAD FILE NUMBER 5810148006_HEADER
	QUALITY ASSURANCE <b>D. DE LA PENA</b>	9/15/05	DRAWING NUMBER <b>581 01 48 006S</b>
			CAGE IDENT NO. <b>71785</b> SIZE <b>B</b> SCALE 1:2 SHEET 1 OF 6

8

7

6

5

4

3

2

1

8

7

6

5

4

3

2

1

D

D

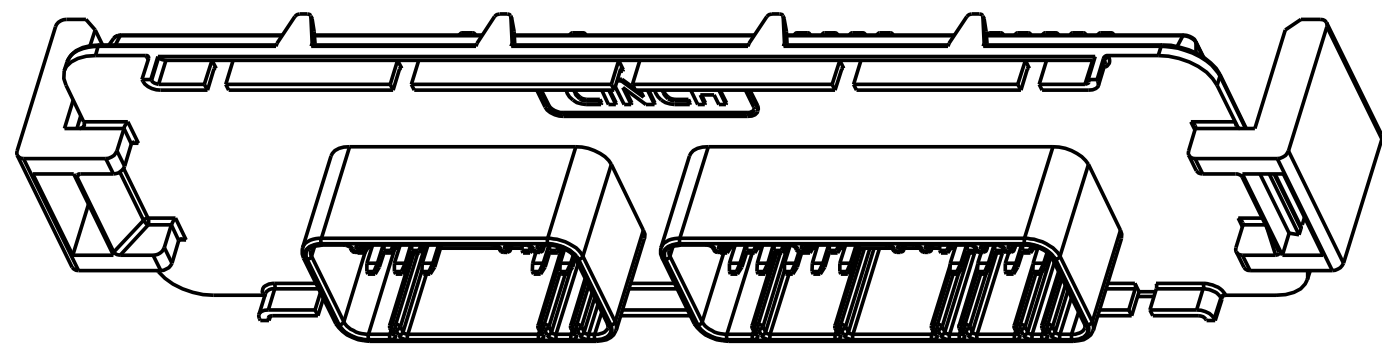
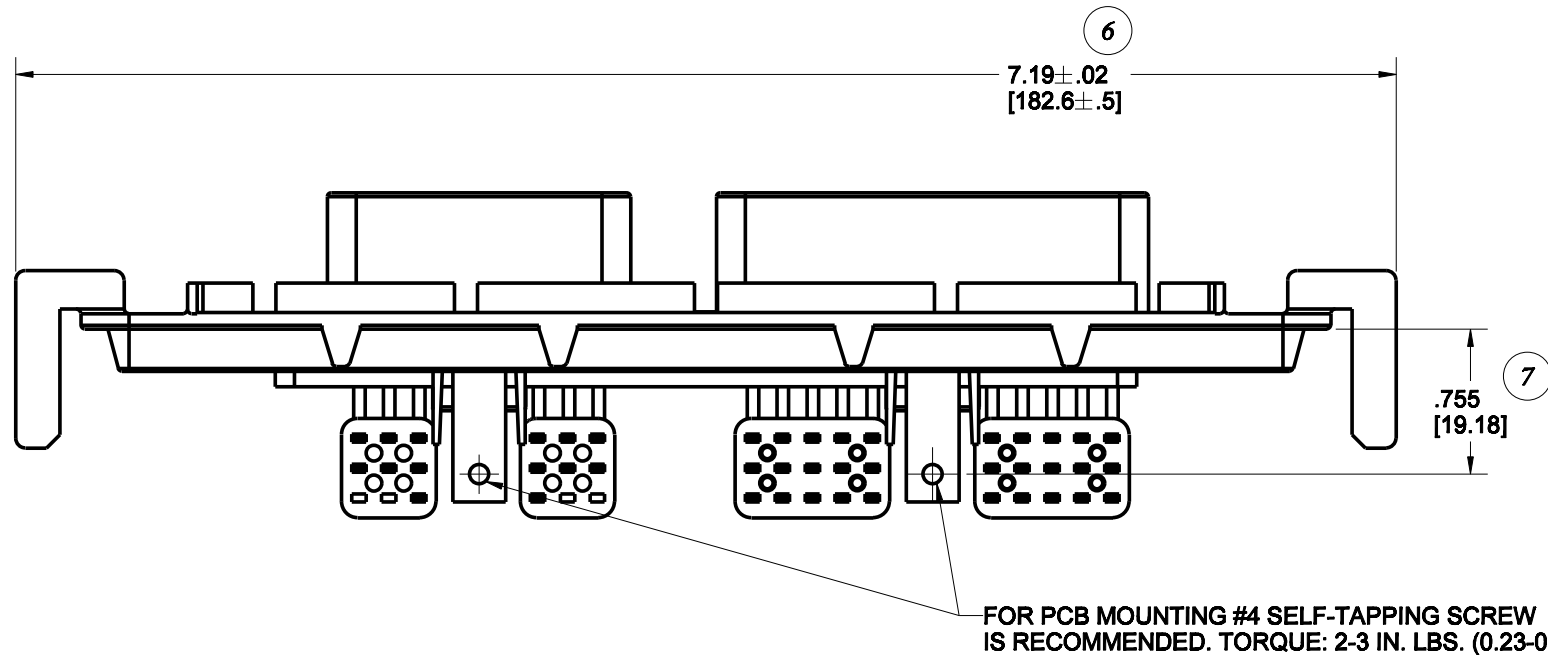
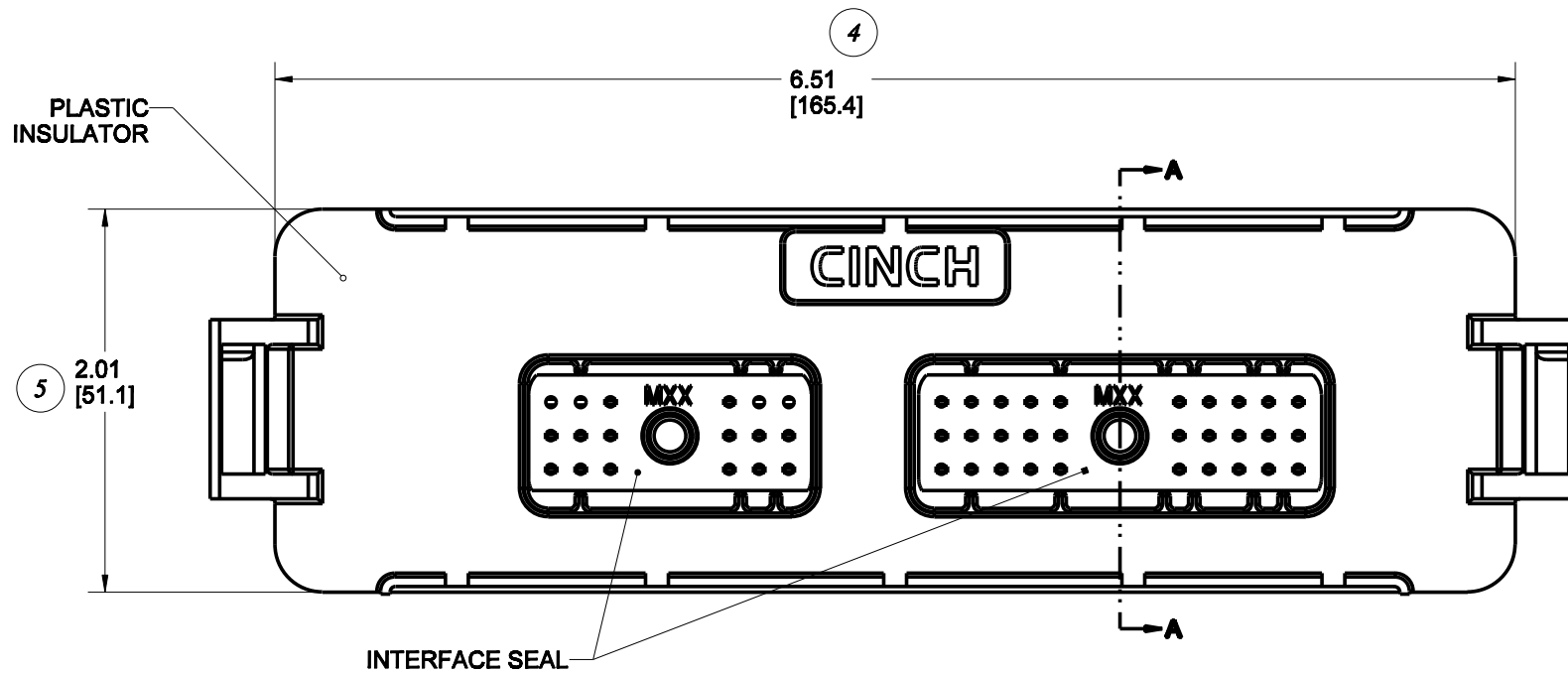
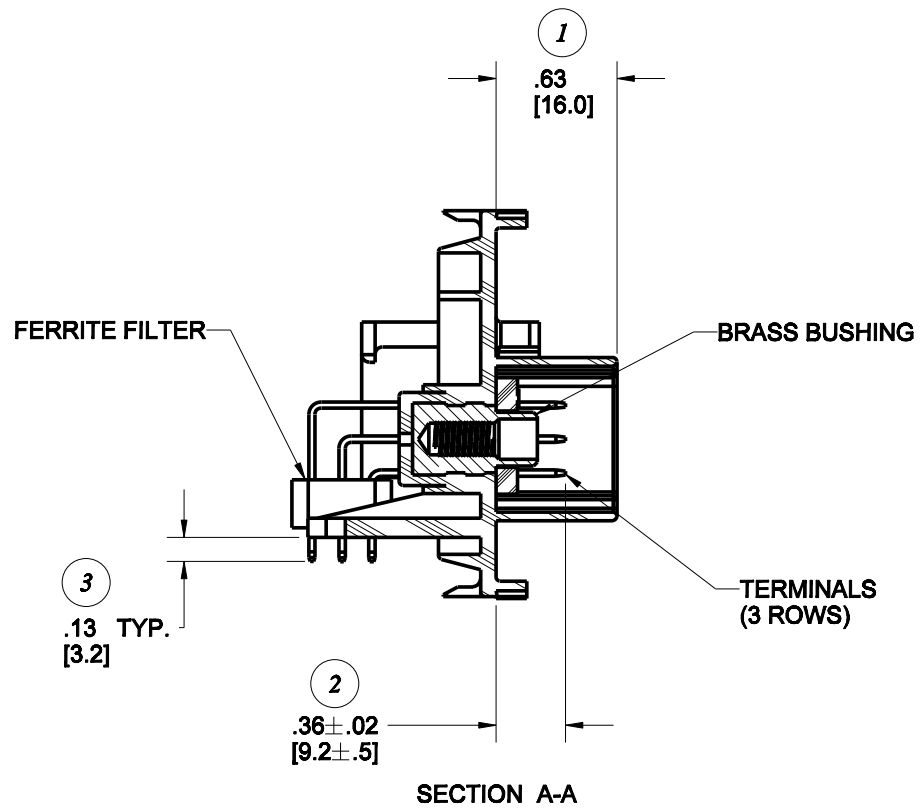
C

C

B

B

A



CINCH P/N: 581 01 48 008 SHOWN  
(HEADER WITH FILTERS)

UNITS <b>ENGLISH</b>		<b>Cinch</b>		1700 FINLEY RD LOMBARD, IL 60148	
DO NOT SCALE DRAWING		TITLE <b>48-WAY HEADERS LE MODICE</b>			
UNLESS OTHERWISE SPECIFIED: ALL DIMENSIONS ARE IN INCHES		PRO/E DRAWING			
FILLET/RADI .02 MAX	TOLERANCES X ± .1 .XX ± .01 .XXX ± .005 ANGULAR ± .5	CAD FILE NUMBER 5810148008_HEADER	DRAWING NUMBER <b>581 01 48 006S</b>	REV <b>C</b>	
THIS DOCUMENT IS THE PROPERTY OF CINCH. NEITHER THIS DOCUMENT NOR ANY OF THE INFORMATION CONTAINED IN IT MAY BE DUPLICATED OR DISCLOSED WITHOUT PRIOR WRITTEN CONSENT OF CINCH.		CAGE IDENT NO. <b>71785</b>	SCALE <b>B</b>	1:2	SHEET 2 OF 6

8

7

6

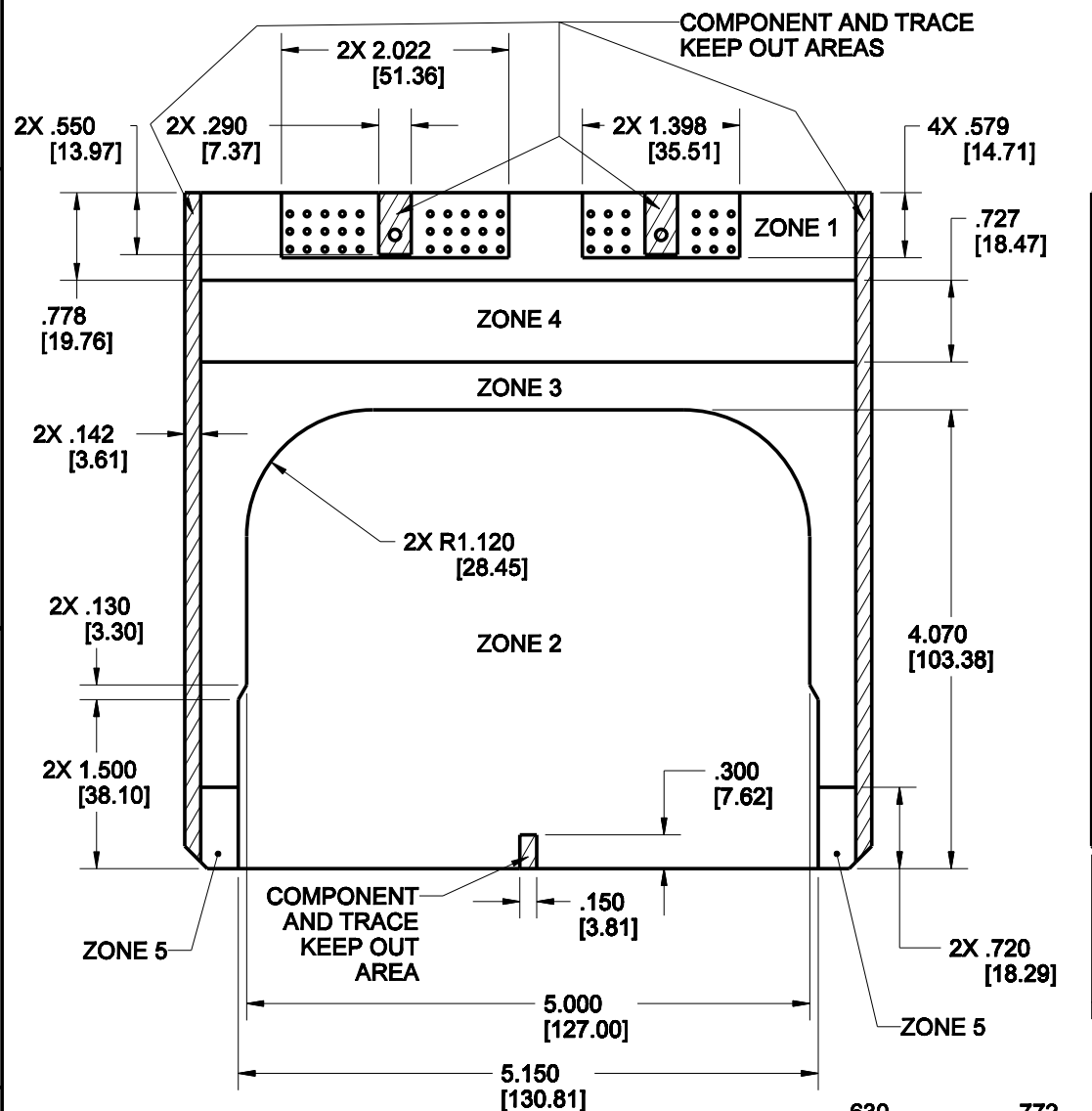
5

4

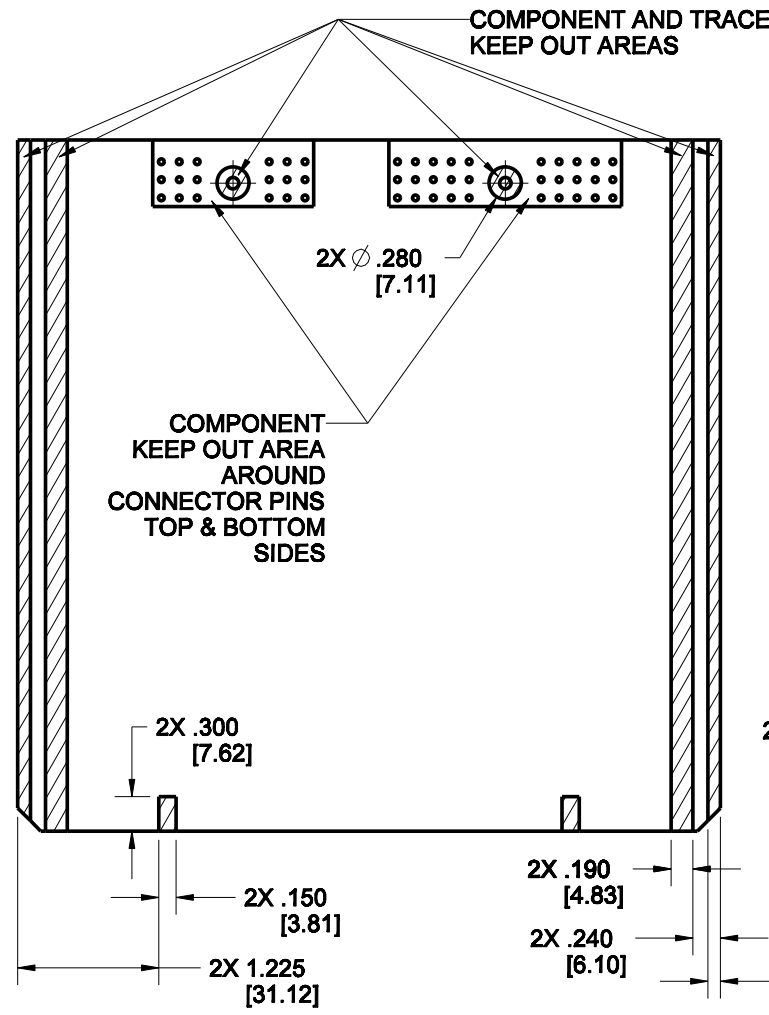
1

# PCB LAY-OUT WITH OUT HEAT SINKS

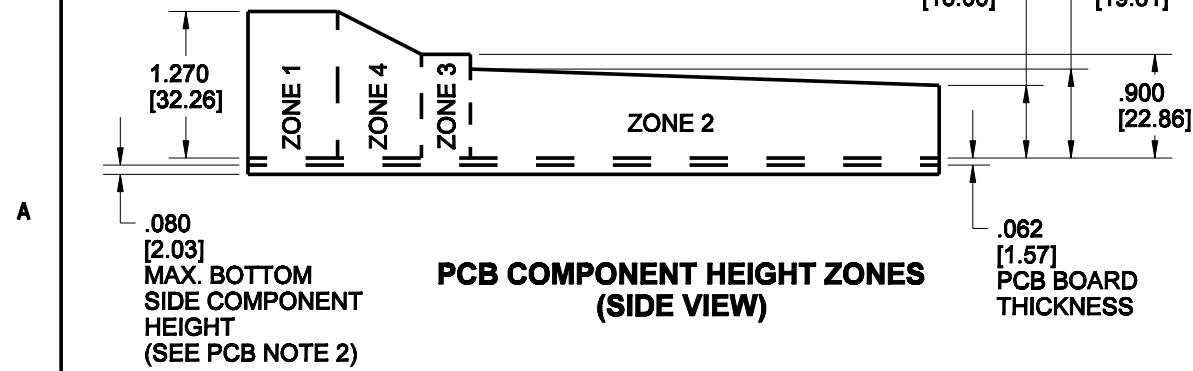
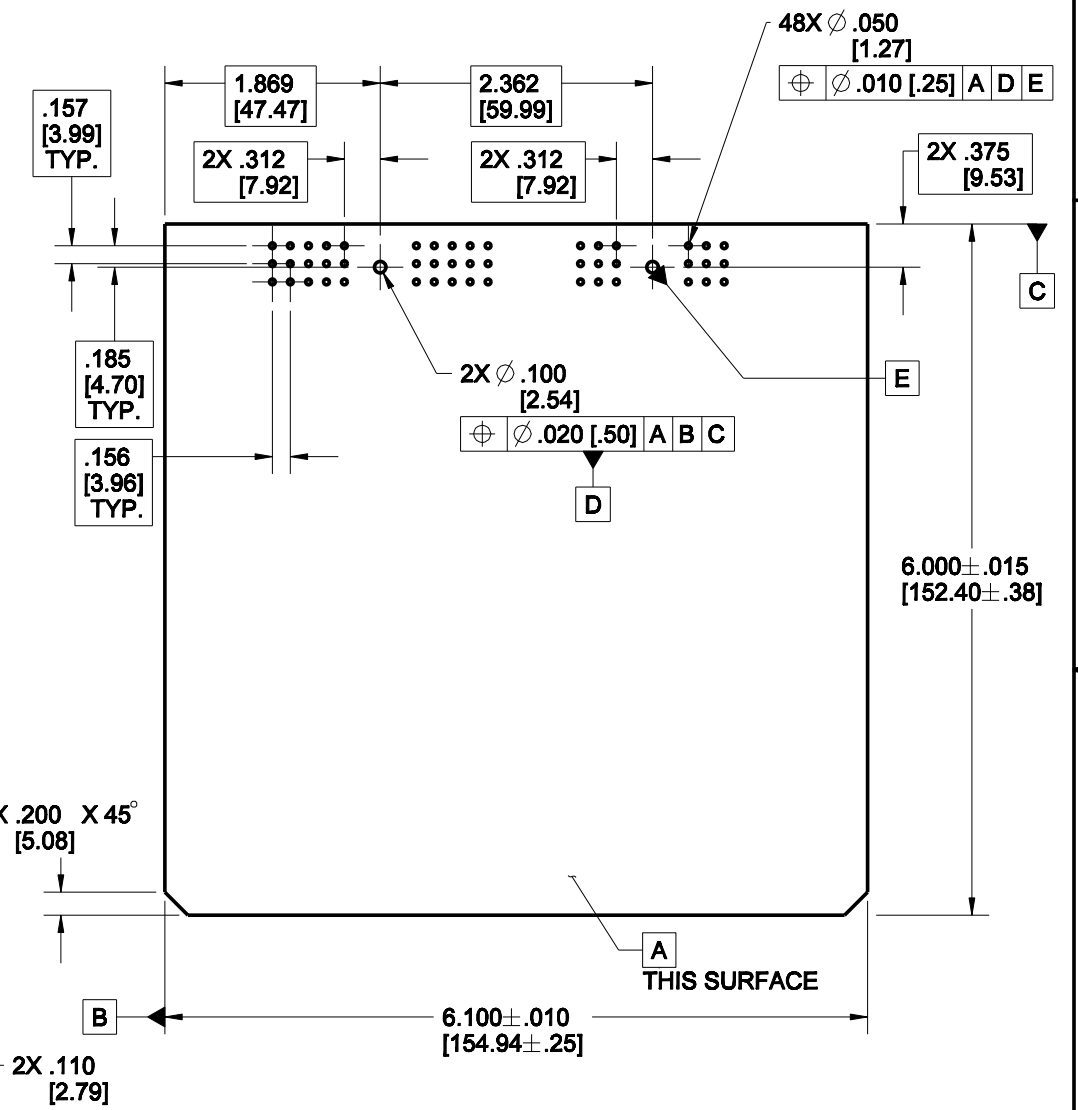
**PCB TOP SIDE GENERAL ZONING & KEEP OUT AREAS**



**PCB BOTTOM SIDE GENERAL ZONING & KEEP OUT AREAS**



**PCB OVERALL DIMENSIONS AND HOLE LOCATIONS**



**PCB COMPONENTS HEIGHT LIMIT**

	ZONE 1	ZONE 2	ZONE 3	ZONE 4	ZONE 5
MAX. HEIGHT FOR COMPONENTS (ABOVE PCB)	1.270"	SEE PCB NOTE 3	.900"	SEE PCB NOTE 3	.420"

**PCB NOTES:**

- ON BOTTOM SIDE OF THE PCB, COMPONENTS OR TRACES MUST BE MIN. .100" AWAY FROM THE EDGE OF THE PCB.
- THE BOTTOM SIDE OF THE PCB SHOULD NOT HAVE COMPONENTS OR LEADS THAT EXTEND HIGHER THAN .080" (SEE PG. 6 SIDE VIEW).
- AREA HAS VARIABLE HEIGHT. SEE PCB COMPONENT HEIGHT ZONES VIEW FOR DETAILS.

UNITS **ENGLISH**

DO NOT SCALE DRAWING

UNLESS OTHERWISE SPECIFIED: ALL DIMENSIONS ARE IN INCHES

FILLET/RADI .02 MAX TOLERANCES .X ± .1 .XX ± .01 .XXX ± .005 ANGULAR ± .5

TOLERANCES AND LIMITS APPLY OVER ADDITIVE FINISH

THIS DOCUMENT IS THE PROPERTY OF CINCH. NEITHER THIS DOCUMENT NOR ANY OF THE INFORMATION CONTAINED IN IT MAY BE DUPLICATED OR DISCLOSED WITHOUT PRIOR WRITTEN CONSENT OF CINCH.

**Cinch** 1700 FINLEY RD LOMBARD, IL 60148

TITLE **48-WAY HEADERS LE MODICE**

**PRO/E DRAWING**

CAD FILE NUMBER 5810148006\_HEADER DRAWING NUMBER **581 01 48 006S** REV **C**

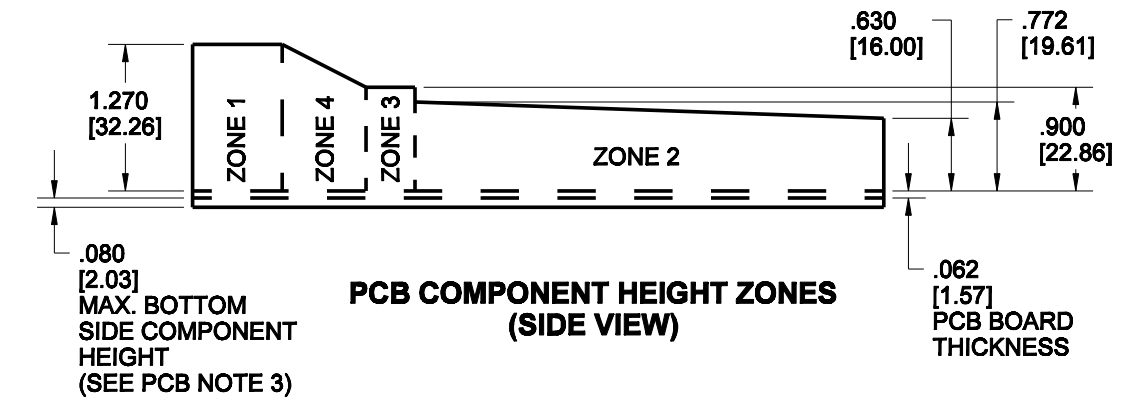
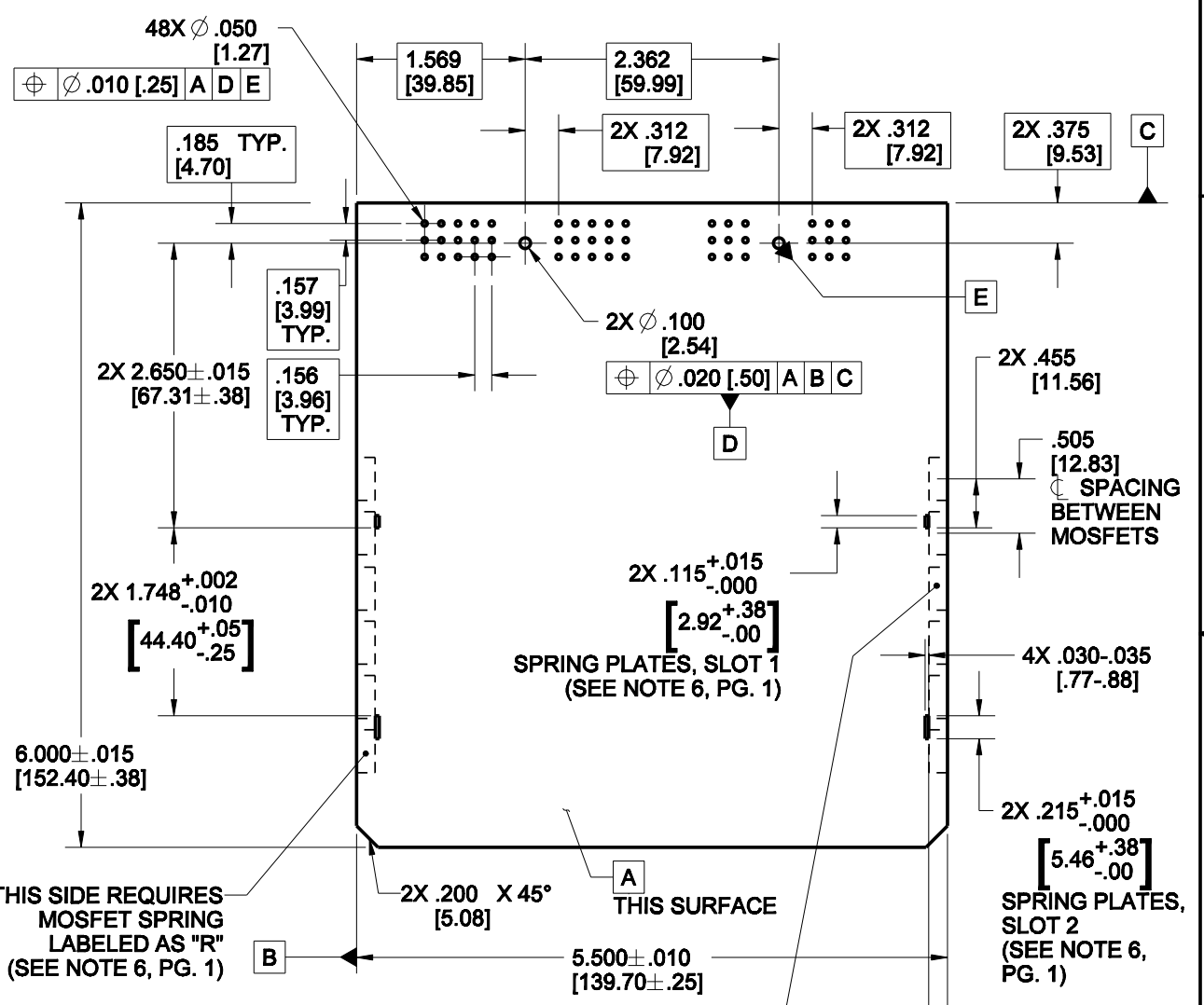
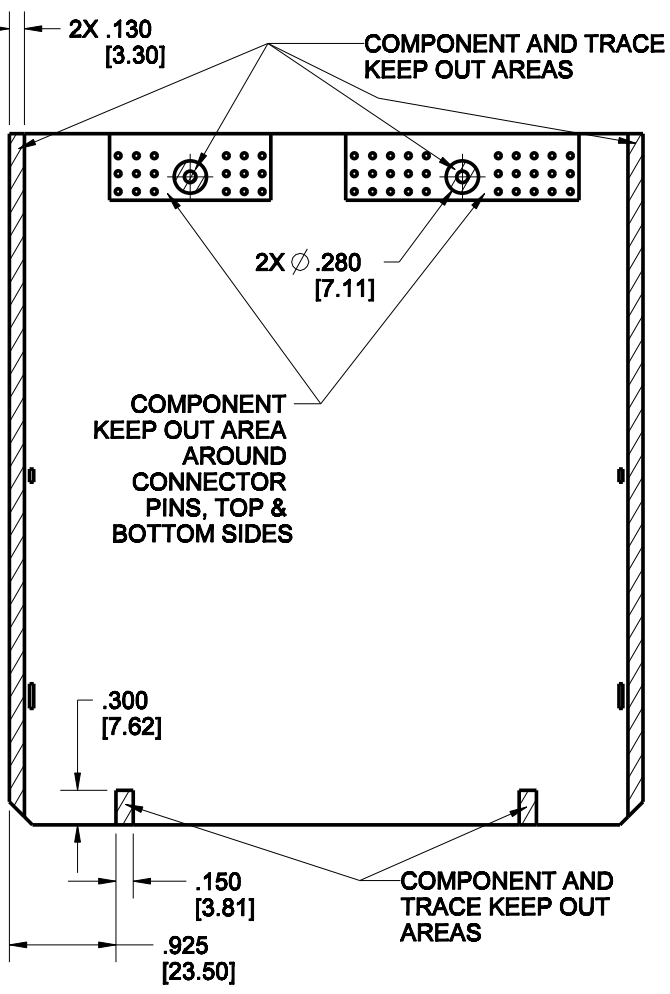
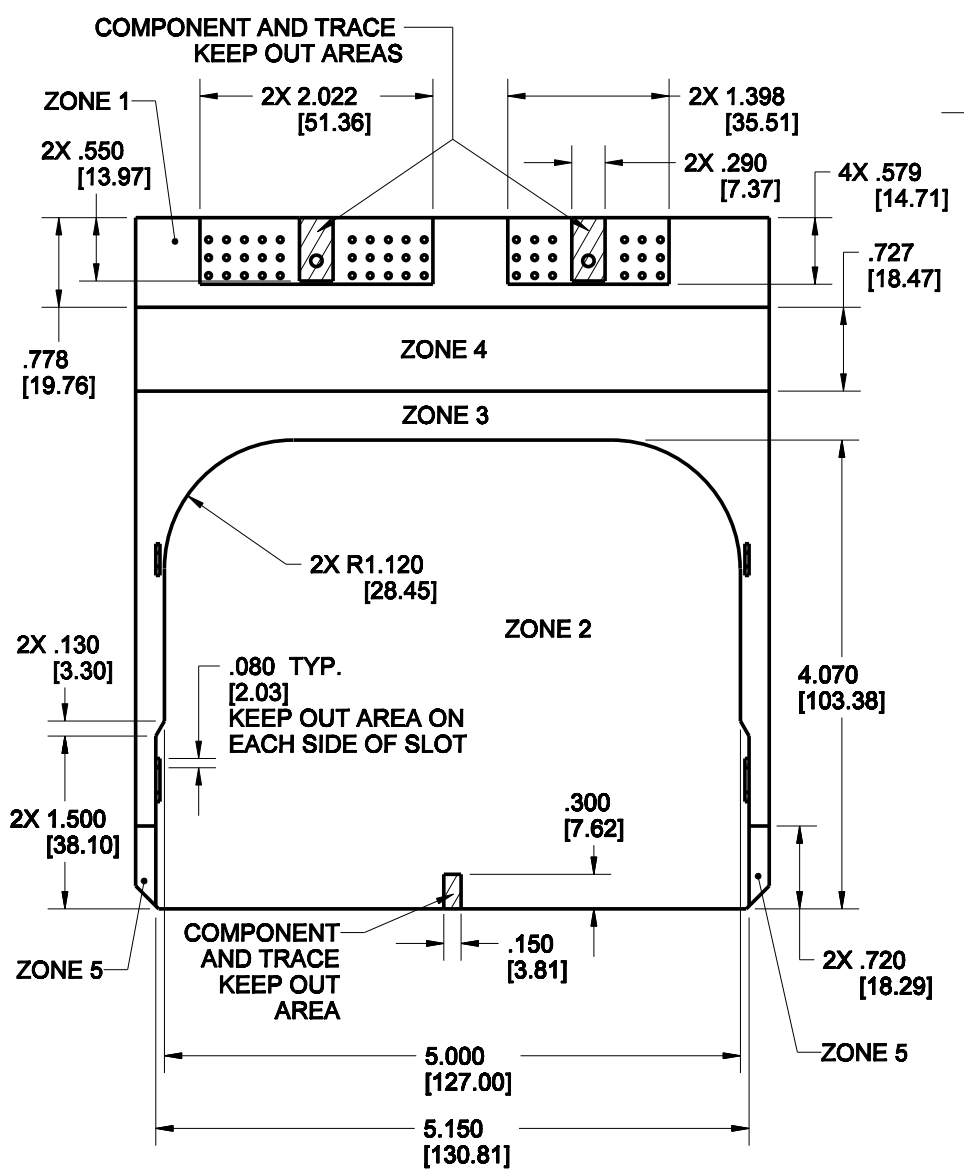
CAGE IDENT NO. **71785** SIZE **B** SCALE 3:5 SHEET 3 OF 6

# PCB LAY-OUT WITH TWO HEAT SINKS

## PCB TOP SIDE GENERAL ZONING & KEEP OUT AREAS

## PCB BOTTOM SIDE GENERAL ZONING & KEEP OUT AREAS

## PCB OVERALL DIMENSIONS AND HOLES LOCATIONS



### PCB COMPONENTS HEIGHT LIMIT

	ZONE 1	ZONE 2	ZONE 3	ZONE 4	ZONE 5
MAX. HEIGHT FOR COMPONENTS (ABOVE PCB)	1.270"	SEE PCB NOTE 4	.900"	SEE PCB NOTE 4	.420"

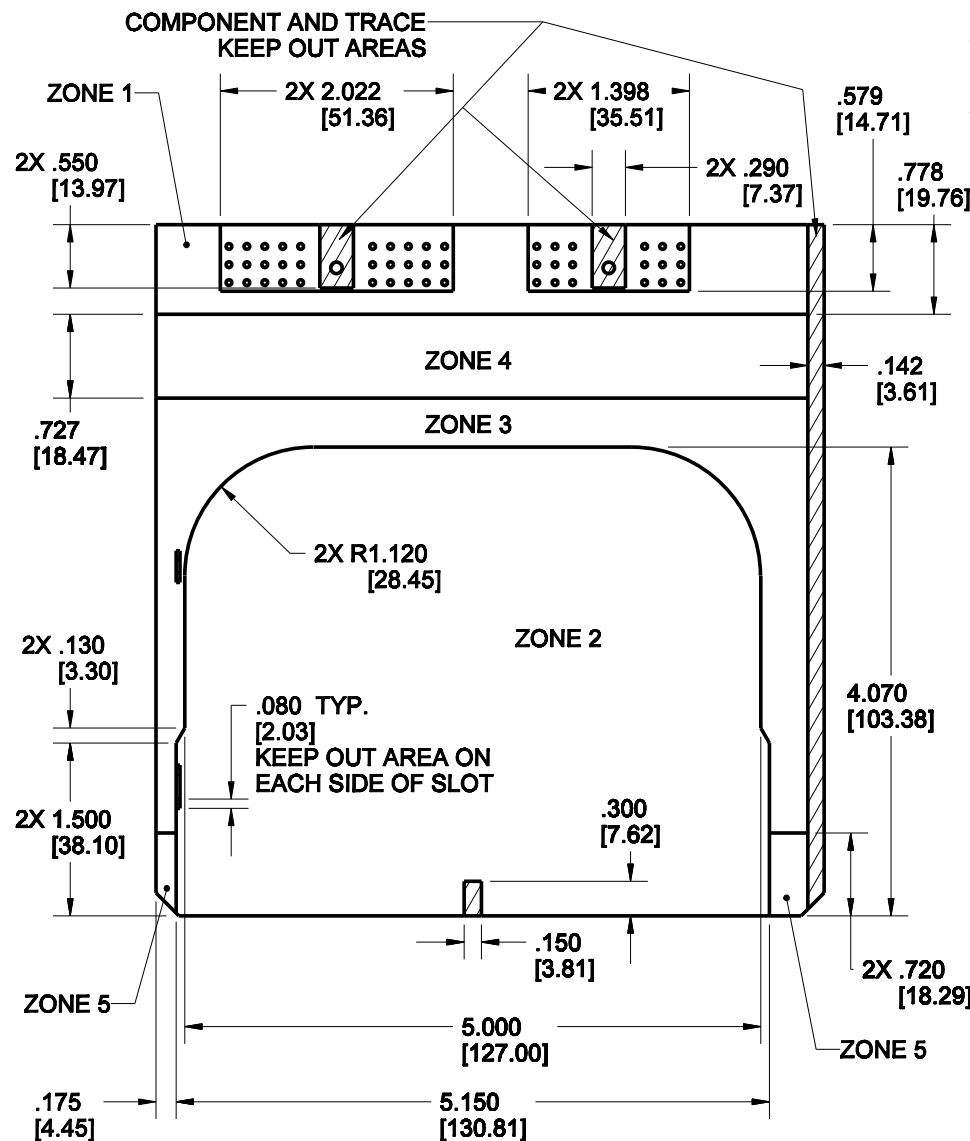
- PCB NOTES:**
- IF MOSFET SPRINGS ARE USED, ZONE 3 SHOULD CONTAIN ONLY MOSFETS AND TRACES BETWEEN THE SPRINGS AND EDGE OF THE BOARD.
  - ON BOTTOM SIDE OF THE PCB, COMPONENTS OR TRACES MUST BE MIN. .100" AWAY FROM THE EDGE OF THE PCB.
  - THE BOTTOM SIDE OF THE PCB SHOULD NOT HAVE COMPONENTS OR LEADS THAT EXTEND HIGHER THAN .080" (SEE PG. 6 SIDE VIEW).
  - AREA HAS VARIABLE HEIGHT. SEE PCB COMPONENT HEIGHT ZONES VIEW FOR DETAILS.

MOSFET LOCATION(S)  
MAX. 6 TO-220 STYLE MOSFETS PER SIDE  
THIS SIDE REQUIRES MOSFET SPRING LABELED AS "L" (SEE NOTE 6, PG. 1)

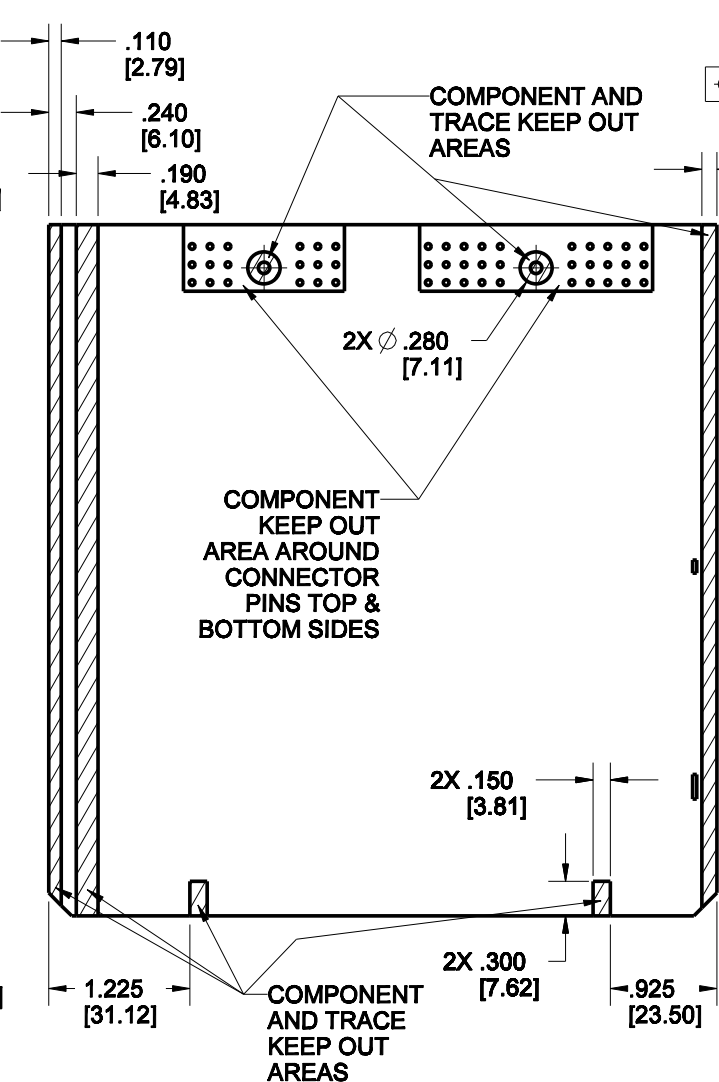
UNITS	ENGLISH		<b>Cinch</b>		1700 FINLEY RD LOMBARD, IL 60148	
DO NOT SCALE DRAWING					TITLE	
UNLESS OTHERWISE SPECIFIED: ALL DIMENSIONS ARE IN INCHES			TOLERANCES		REV	
FILLET/RADI .02 MAX			X $\pm$ .1 .XX $\pm$ .01 .XXX $\pm$ .005 ANGULAR $\pm$ .5		C	
TOLERANCES AND LIMITS APPLY OVER ADDITIVE FINISH			THIS DOCUMENT IS THE PROPERTY OF CINCH. NEITHER THIS DOCUMENT NOR ANY OF THE INFORMATION CONTAINED IN IT MAY BE DUPLICATED OR DISCLOSED WITHOUT PRIOR WRITTEN CONSENT OF CINCH.		SCALE	
			CAGE IDENT NO.		5810148006_HEADER	
			SIZE		581 01 48 006S	
			71785		3:5	
			B		SHEET 4 OF 6	

# PCB LAY-OUT WITH ONE HEAT SINK

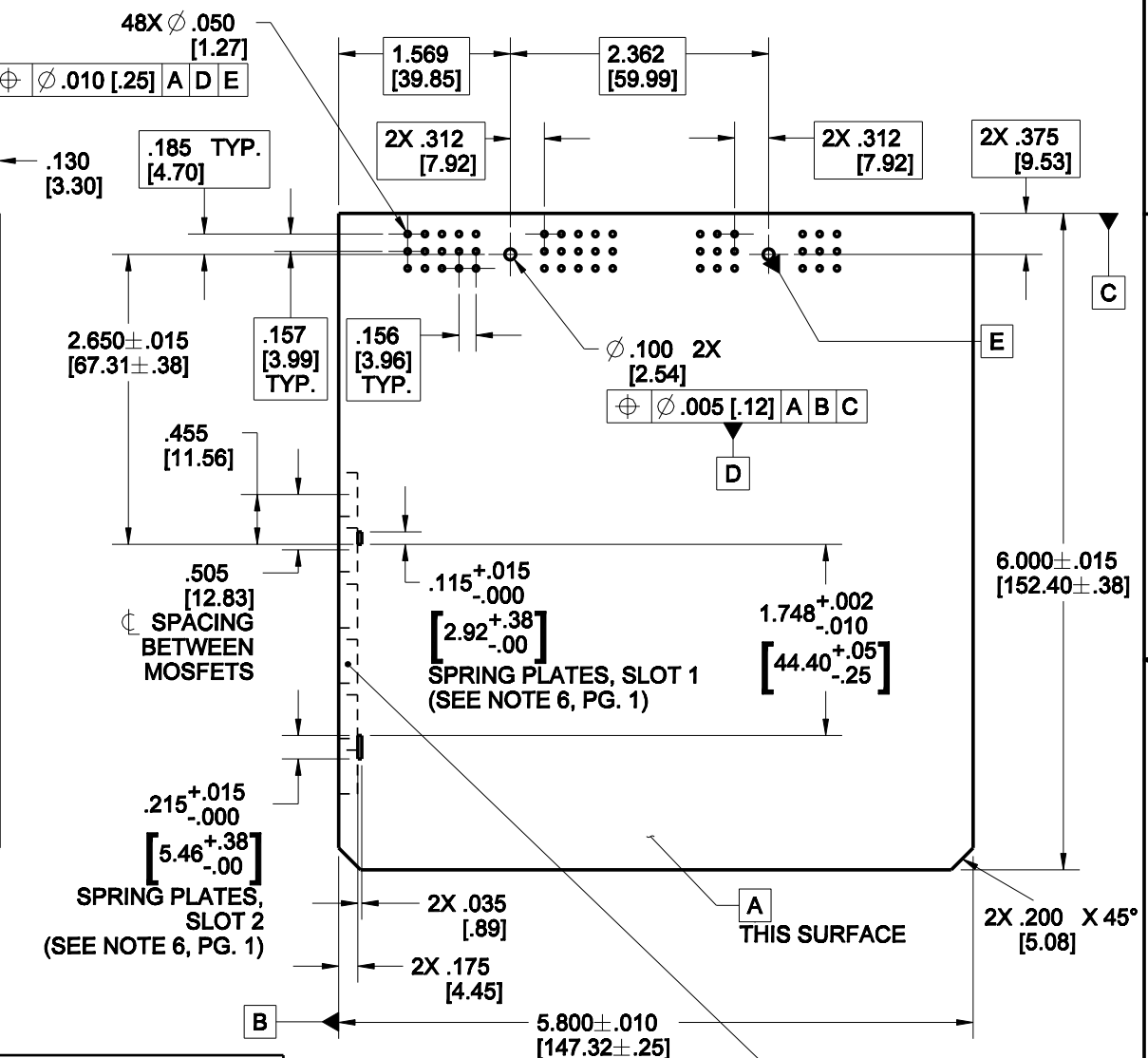
## PCB TOP SIDE GENERAL ZONING & KEEP OUT AREAS



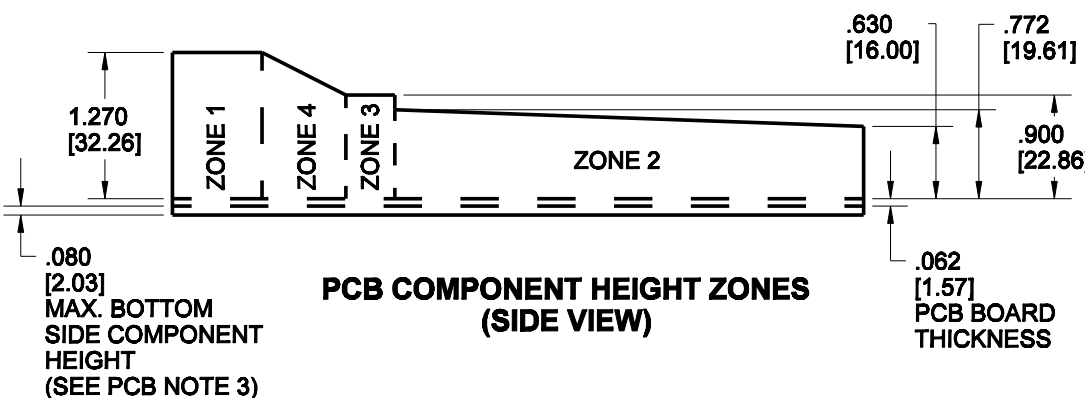
## PCB BOTTOM SIDE GENERAL ZONING & KEEP OUT AREAS



## PCB OVERALL DIMENSIONS AND HOLE LOCATIONS



## PCB COMPONENT HEIGHT ZONES (SIDE VIEW)



## PCB COMPONENTS HEIGHT LIMIT

	ZONE 1	ZONE 2	ZONE 3	ZONE 4	ZONE 5
MAX. HEIGHT FOR COMPONENTS (ABOVE PCB)	1.270"	SEE PCB NOTE 4	.900"	SEE PCB NOTE 4	.420"

### PCB NOTES:

- IF MOSFET SPRINGS ARE USED, ZONE 3 SHOULD CONTAIN ONLY MOSFETS AND TRACES BETWEEN THE SPRINGS AND EDGE OF THE BOARD.
- ON BOTTOM SIDE OF THE PCB, COMPONENTS OR TRACES MUST BE MIN. .100" AWAY FROM THE EDGE OF THE PCB.
- THE BOTTOM SIDE OF THE PCB SHOULD NOT HAVE COMPONENTS OR LEADS THAT EXTEND HIGHER THAN .080" (SEE PG. 6 SIDE VIEW).
- AREA HAS VARIABLE HEIGHT. SEE PCB COMPONENT HEIGHT ZONES VIEW FOR DETAILS.

UNITS	ENGLISH		<b>Cinch</b>		1700 FINLEY RD LOMBARD, IL 60148
DO NOT SCALE DRAWING			TITLE		
UNLESS OTHERWISE SPECIFIED: ALL DIMENSIONS ARE IN INCHES			48-WAY HEADERS LE MODICE		
FILLET/RADI .02 MAX	TOLERANCES X ± .1 .XX ± .01 .00X ± .005 ANGULAR ± .5	PRO/E DRAWING			
THIS DOCUMENT IS THE PROPERTY OF CINCH. NEITHER THIS DOCUMENT NOR ANY OF THE INFORMATION CONTAINED IN IT MAY BE DUPLICATED OR DISCLOSED WITHOUT PRIOR WRITTEN CONSENT OF CINCH.		CAD FILE NUMBER 5810148006_HEADER	DRAWING NUMBER <b>581 01 48 006S</b>	REV <b>C</b>	
CAGE IDENT NO. <b>71785</b>	SIZE <b>B</b>	SCALE 3:5	SHEET 5 OF 6		

8

7

6

5

4

3

2

1

D

D

C

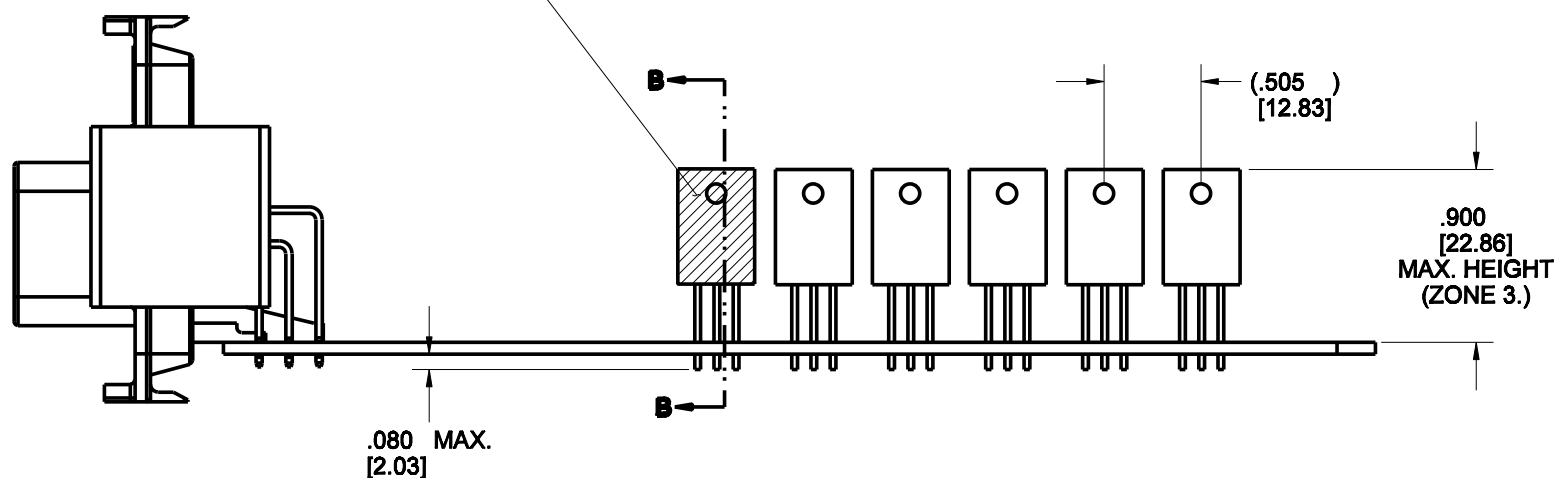
C

B

B

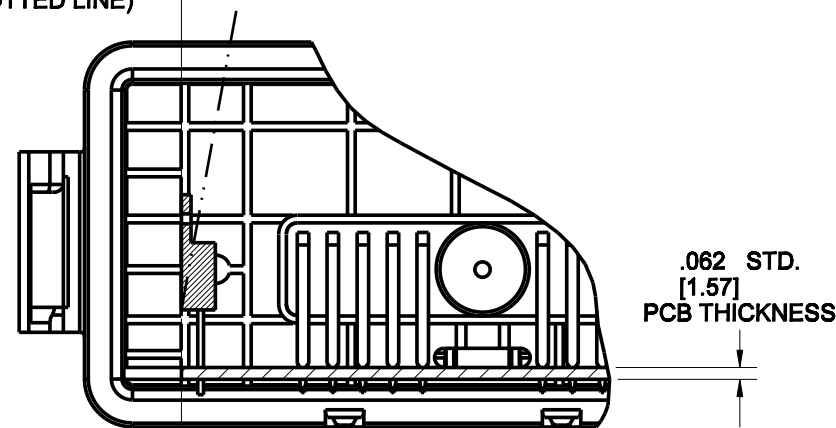
A

APPLY THIN BEAD OF THERMALLY CONDUCTIVE ADHESIVE PASTE TO ENTIRE SURFACE OF EVERY MOSFET (SEE NOTE 5.)



**SIDE VIEW  
REQUIRED TO-220 PACKAGE PROFILE**

FOR EASE OF ASSEMBLY IT IS RECOMMENDED THAT MOSFET(S) BE TILTED UP TO 10° IN POSITIVE DIRECTION (SEE DOTTED LINE)



MOSFET MUST LIE IN THE SAME PLANE WITH EDGE OF PCB (AS SHOWN)

**SECTION B-B**

UNITS <b>ENGLISH</b>		<b>Cinch</b>		1700 FINLEY RD LOMBARD, IL 60148	
DO NOT SCALE DRAWING					
UNLESS OTHERWISE SPECIFIED: ALL DIMENSIONS ARE IN INCHES		TITLE <b>48-WAY HEADERS LE MODICE</b>			
FILLET/RADI .02 MAX		TOLERANCES X ± .1 .XX ± .01 .XXX ± .005 ANGULAR ± .5			
TOLERANCES AND LIMITS APPLY OVER ADDITIVE FINISH		PRO/E DRAWING			
THIS DOCUMENT IS THE PROPERTY OF CINCH. NEITHER THIS DOCUMENT NOR ANY OF THE INFORMATION CONTAINED IN IT MAY BE DUPLICATED OR DISCLOSED WITHOUT PRIOR WRITTEN CONSENT OF CINCH.		CAD FILE NUMBER 5810148006_HEADER	DRAWING NUMBER <b>581 01 48 006S</b>	REV <b>C</b>	
CAGE IDENT NO. <b>71785</b>	SIZE <b>B</b>	SCALE 1:1	SHEET 6 OF 6		

8

7

6

5

4

1

## X-ON Electronics

Largest Supplier of Electrical and Electronic Components

*Click to view similar products for [Automotive Connectors](#) category:*

*Click to view products by [Bel Fuse](#) manufacturer:*

Other Similar products are found below :

[003-018-000](#) [60403001](#) [60993906-B](#) [M902-2131](#) [M902-2161](#) [M902-2344](#) [72.330.1035.1](#) [73.353.4028.0](#) [F119300-B](#) [F166900](#) [F258300-B](#)  
[F358300-B](#) [F407400](#) [F444110](#) [F487000](#) [F509500B-B](#) [827153-1](#) [8N1515-32-24P](#) [9-1326729-8](#) [925474-1](#) [928905-1](#) [964562-4](#) [968782-1](#)  
[GT17SA-8DS-HU](#) [98891-1012](#) [98947-1016](#) [12004147](#) [12004475-L](#) [12010290](#) [12015454](#) [12020219-B](#) [12041318-B](#) [12052225-L](#) [12052466](#)  
[12064869](#) [12004327-B](#) [12015308](#) [12015384](#) [12015909](#) [1-21030-1](#) [12041254](#) [12041318](#) [12047946-B](#) [12047957](#) [12047957-L](#) [12059473](#)  
[12066261](#) [12110546](#) [12110546-B](#) [12131792](#)