

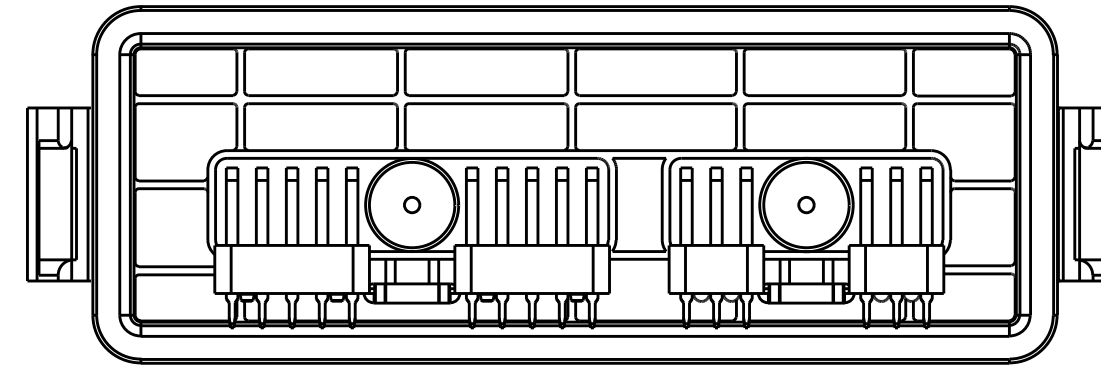
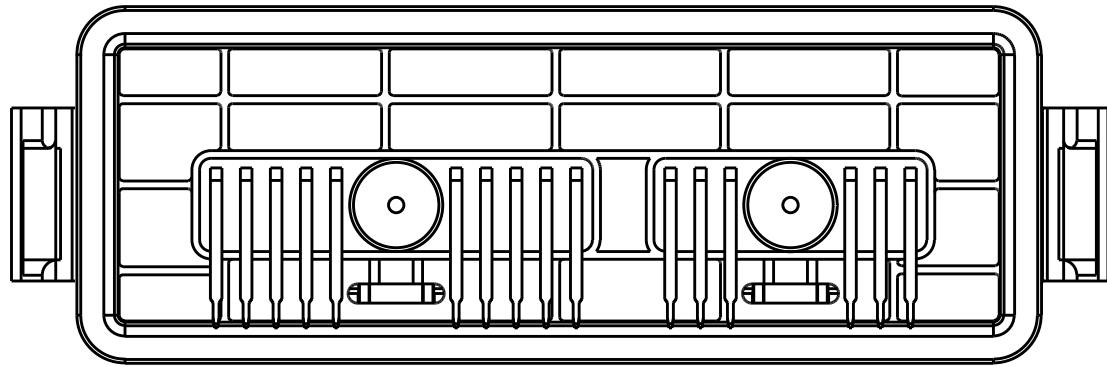
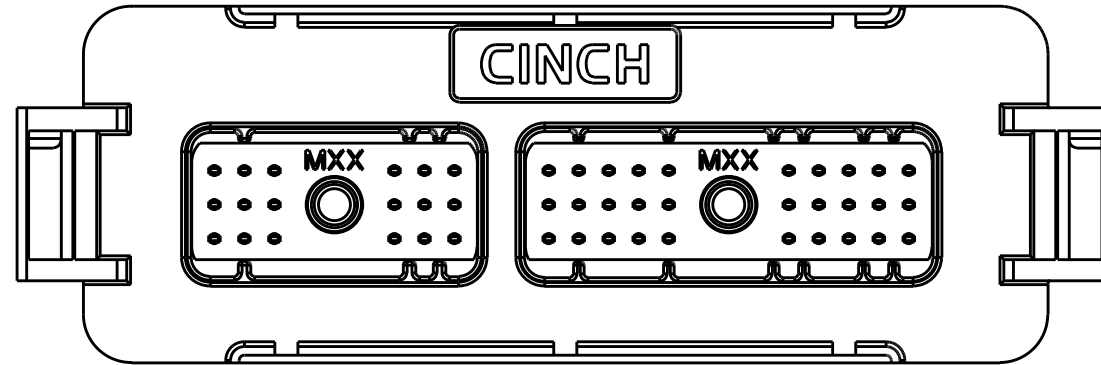
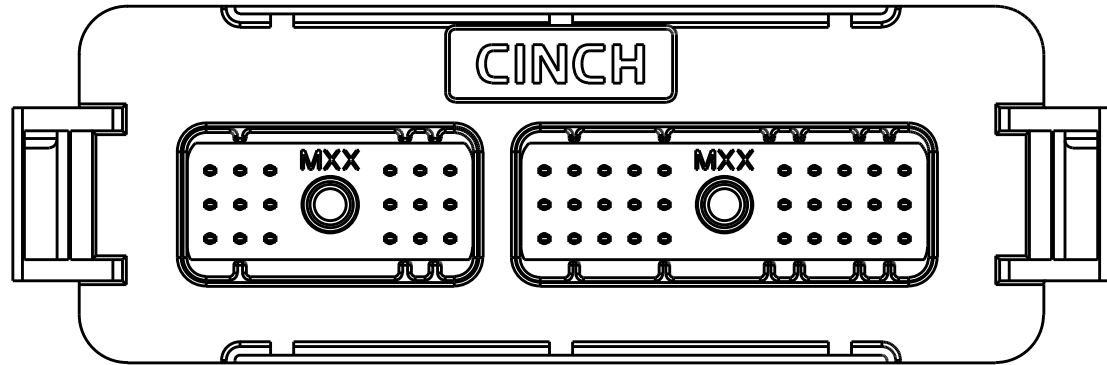
# CINCH PART NUMBER MATRIX

P/N: 581 01 48 005

P/N: 581 01 48 007

48-WAY HEADER ASSEMBLY WITH OUT FERRITE FILTERS

48-WAY HEADER ASSEMBLY WITH FERRITE FILTERS



MATES WITH CINCH HARNESS CONNECTORS P/N:  
581 01 18 023 (18-WAY) AND 581 01 30 029 (30-WAY)

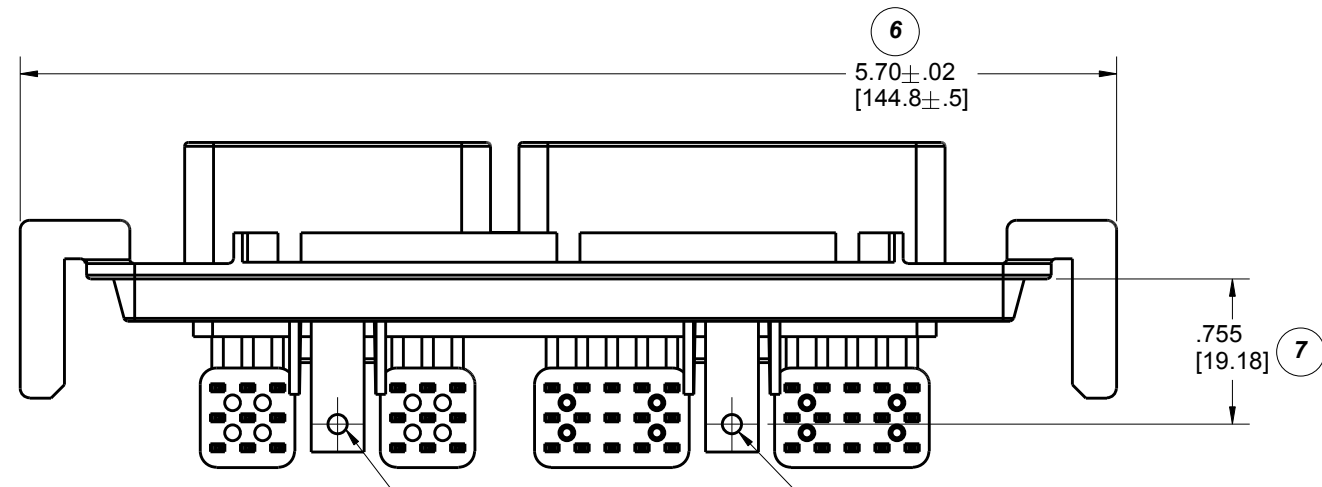
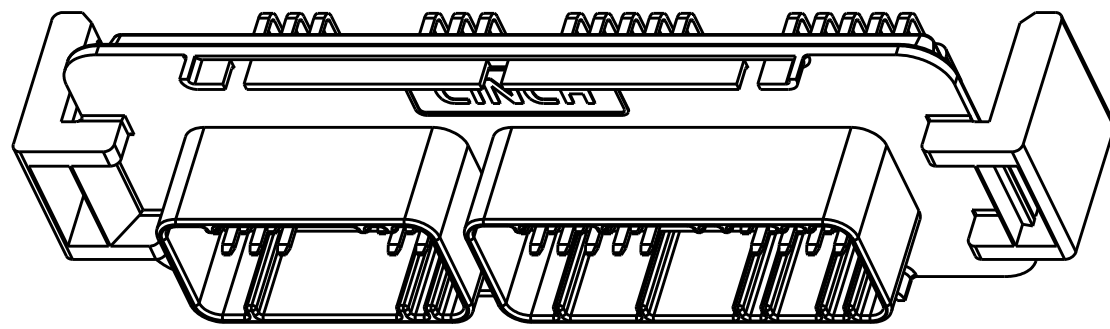
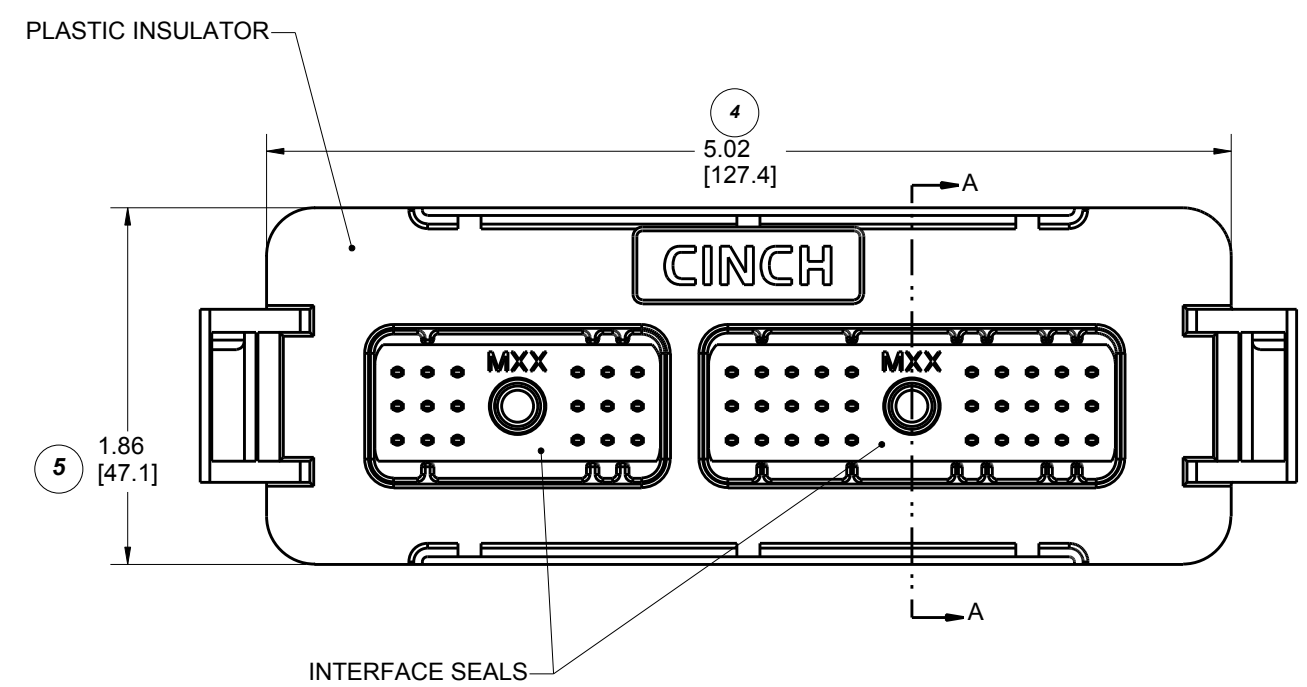
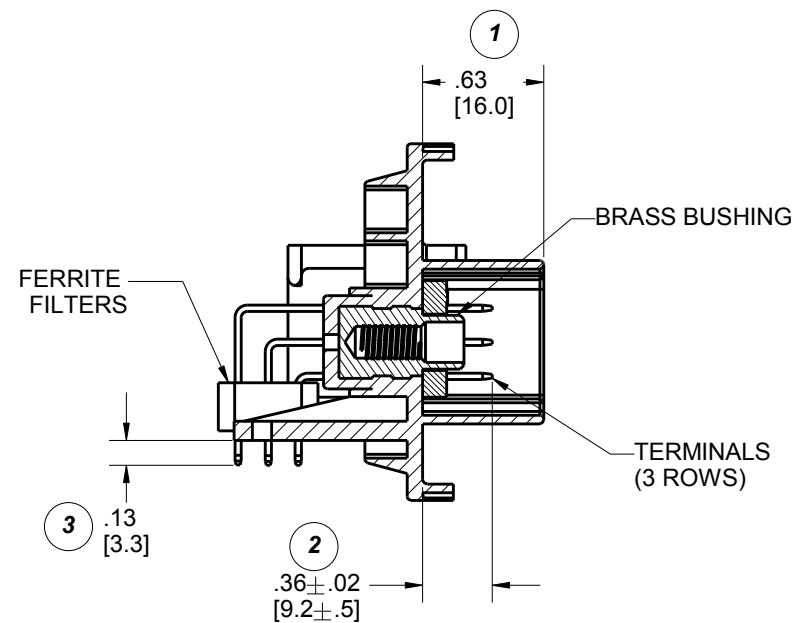
## DRAWING REVISIONS

REV	DOCUMENT	APP	DATE
A	REL. FOR PRODUCTION D.O. 05-1157	A.C.	7/21/05
B	ECN: 05A468 ADDED LEGS AND ADDED SLOTS TO RIBS	A.C.	9/27/05
C	ECN: 06A635 ADDED SHEET 5 ADDED SHEET 6 MODIFIED SHEET 3 MODIFIED SHEET 4	A.C.	3/24/06
D	ECN: 06A408 REFORMATTED DRAWING PCB LAYOUTS REDRAWN WITH ADDITIONAL KEEP OUT AREAS	A.C.	9/28/06
E	CO 4256	N.C.	3/31/20

### NOTES:

- ALL DIMENSIONS ARE IN INCHES;  
DIMENSION INSIDE [.XX] ARE IN MM, AS REF. ONLY.
- MATERIALS:  
INTERFACE SEAL: SILICONE RUBBER, COLOR BLUE;  
INSULATOR: 30 % GLASS FILLED POLYMER, COLOR BLACK;  
BUSHING: BRASS ALLOY, UNPLATED 10-24 UNC THREAD;  
TERMINAL BLADE: 1.5 MM BRASS WITH TIN OVER NICKEL PLATING;  
FILTERS: FERRITE BLOCKS.
- ALL HEADERS ARE REFLOW OR WAVE SOLDERING PROCESS, ROHS COMPLIANT.
- MATES WITH CINCH SHS PUSH-TO-SEAT HARNESS CONNECTORS (SEE TABLE ABOVE).
- THERMALLY CONDUCTIVE ADHESIVE PASTE SOLD SEPARATLY: RECOMMENDED IS LOCTITE 383.
- MOSFET SPRING PLATES ARE SOLD SEPARATLY (FOR INSTALLATION REFER TO ENCLOSURE ASSEMBLY INSTRUCTIONS) SPRING LABELED AS "L" IS CINCH P/N: 581 00 00 020 AND SPRING LABELED AS "R" IS CINCH P/N: 581 00 00 021.  
(IT IS RECOMMENDED THAT THE 4 SLOTS BE PROTECTED DURING CONFORMAL COATING)
- STANDARD PACKAGE SIZE: 72 PARTS/CARTON BOX.

UNITS		RoHS COMPLIANT		MODELED BY:	
ENGLISH	INCHES	PRO/E		CINCH	
DO NOT SCALE DRAWING		DESIGN BY	DATE	TITLE	
UNLESS OTHERWISE SPECIFIED: ALL DIMENSIONS ARE IN INCHES		B. KOSTIC	09/03/04	SE HEADERS MODULAR ICE	
FILLET/RADII .02 MAX	TOLERANCES .X ± .1 .XX ± .01 .XXX ± .005 ANGULAR ± .5°	DESIGN ENGINEER		MATERIAL	CONTROL SPEC NUMBER
		B. KOSTIC	09/03/04	SEE NOTE 2.	
		DESIGN ENGINEERING MGR.		MATERIAL SPEC NUMBER	PROJECT NUMBER
		A. CAINES	11/18/04		A 14562
		MFG. ENGINEERING		CAD FILE NUMBER	DRAWING NUMBER
		R. GARZA	11/18/04	5810148005S	581 01 48 005 S
		QUALITY ASSURANCE		CAGE IDENT NO.	SCALE
		R. QUIROZ	11/18/04	71785	B 1:1
				SIZE	SHEET 1 OF 6



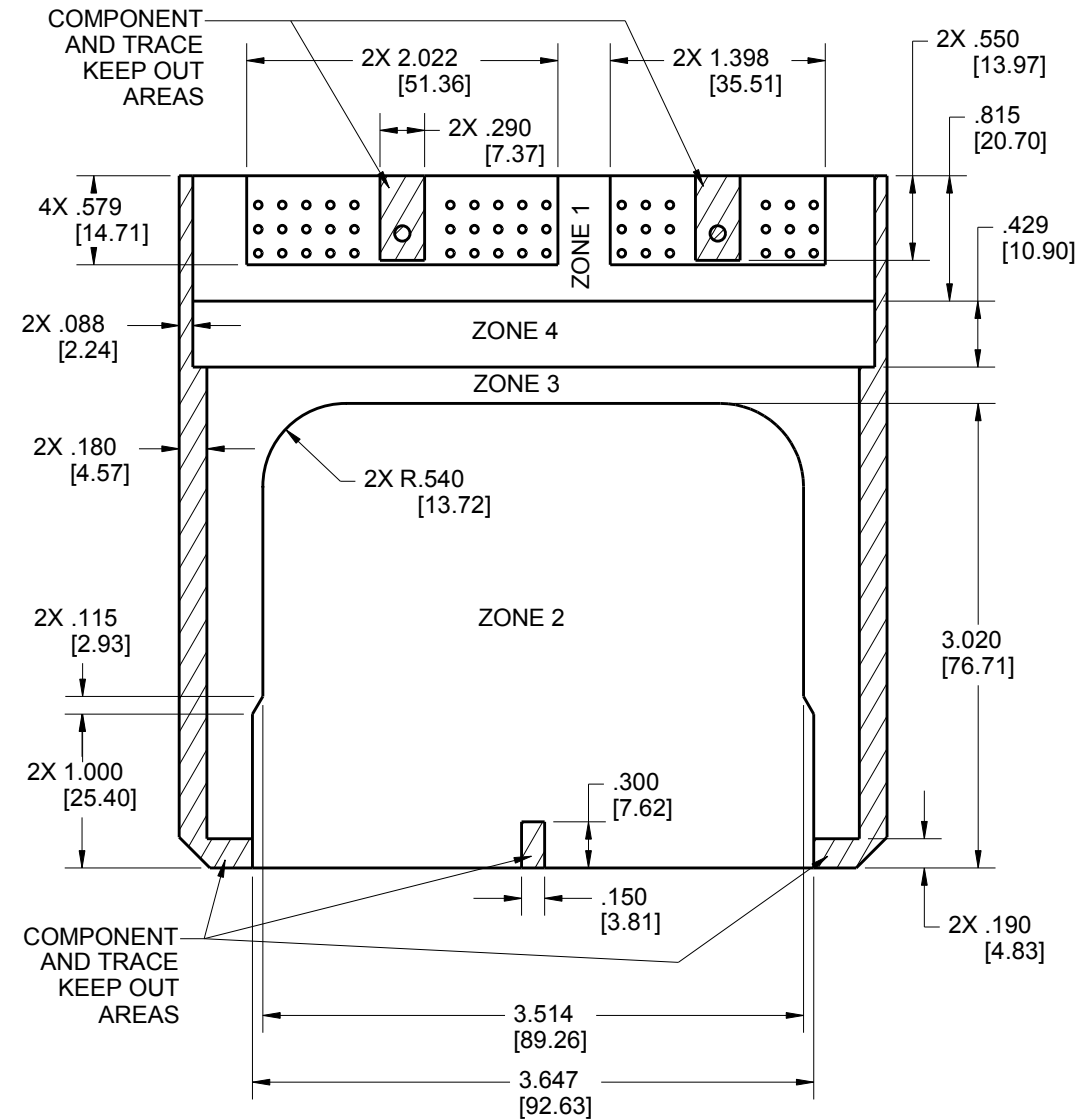
FOR PCB MOUNTING #4 SELF-TAPPING SCREW IS RECOMMENDED TORQUE: 2-3 IN\*LB. [0.23-0.34 Nm]

**CINCH P/N: 581 01 48 007 SHOWN  
(HEADER WITH FILTERS)**

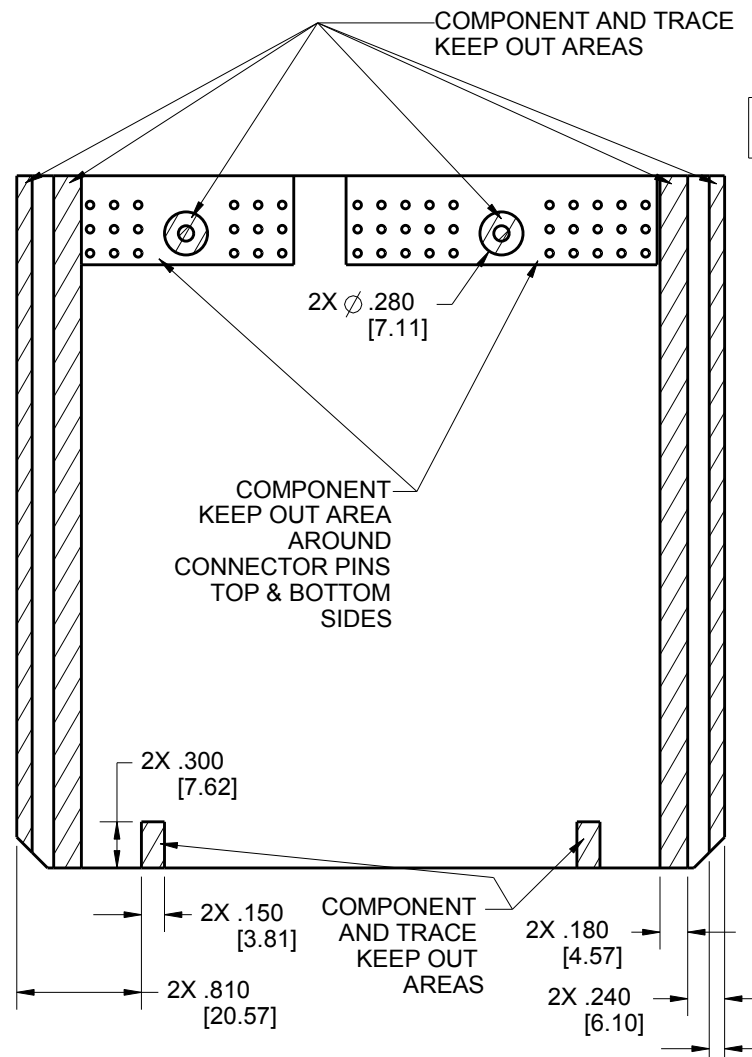
UNITS <b>ENGLISH</b>		<b>CINCH</b>		1700 FINLEY RD LOMBARD, IL. 60148	
DO NOT SCALE DRAWING		TITLE SE HEADERS MODULAR ICE			
UNLESS OTHERWISE SPECIFIED: ALL DIMENSIONS ARE IN INCHES		PRO/E DRAWING			
FILLET/RADII .02 MAX		TOLERANCES X ± .1 XX ± .01 XXX ± .005 ANGULAR ± .5°		CAD FILE NUMBER 5810148005S	DRAWING NUMBER 581 01 48 005 S
TOLERANCES AND LIMITS APPLY OVER ADDITIVE FINISH		CAGE IDENT NO. 71785	SIZE B	SCALE 1:1	REV E
THIS DOCUMENT IS THE PROPERTY OF CINCH. NEITHER THIS DOCUMENT NOR ANY OF THE INFORMATION CONTAINED IN IT MAY BE DUPLICATED OR DISCLOSED WITHOUT PRIOR WRITTEN CONSENT OF CINCH.		SHEET 2 OF 6			

# PCB LAYOUT WITHOUT HEAT SINKS

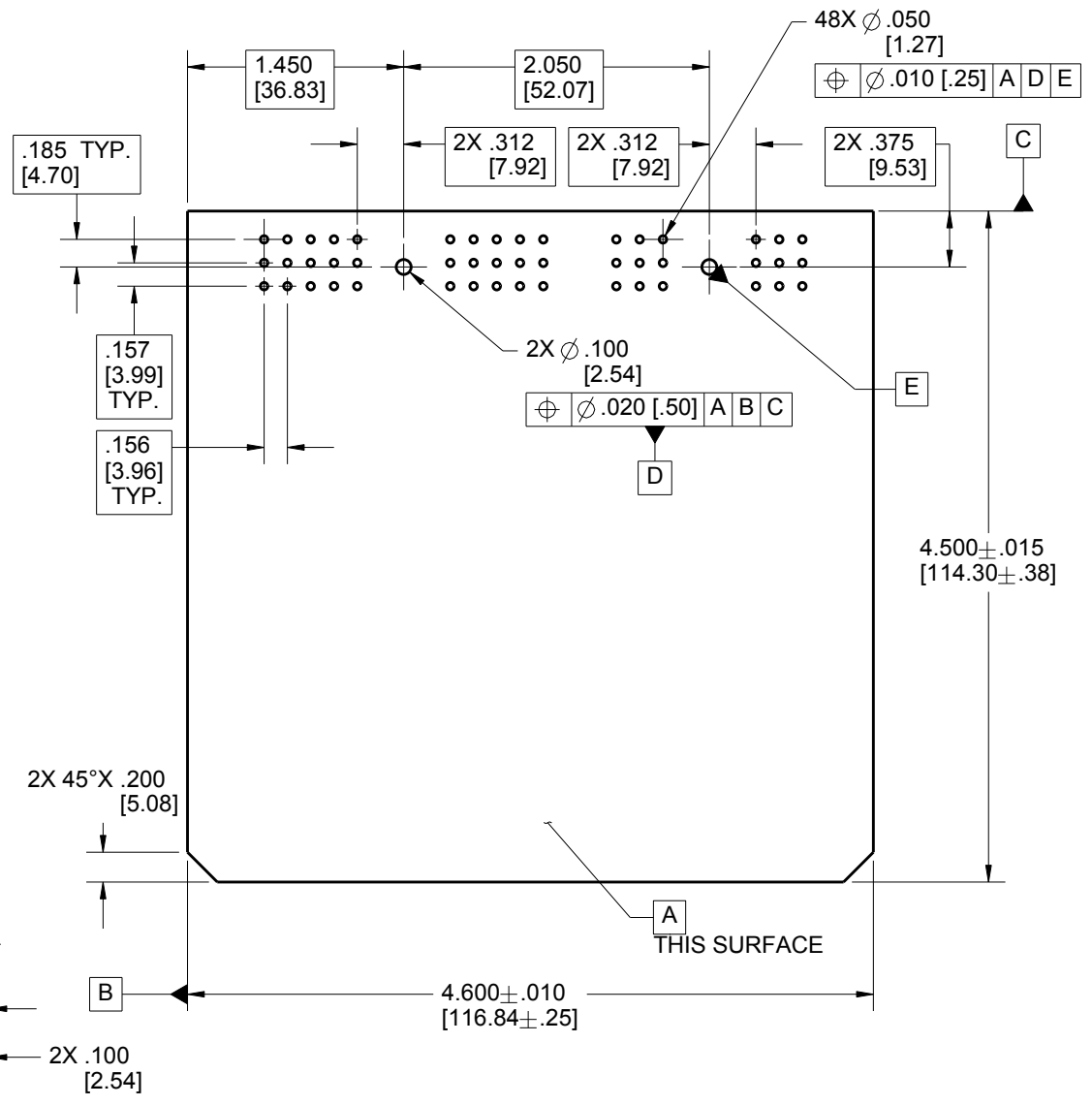
## PCB TOP SIDE GENERAL ZONING & KEEP OUT AREAS



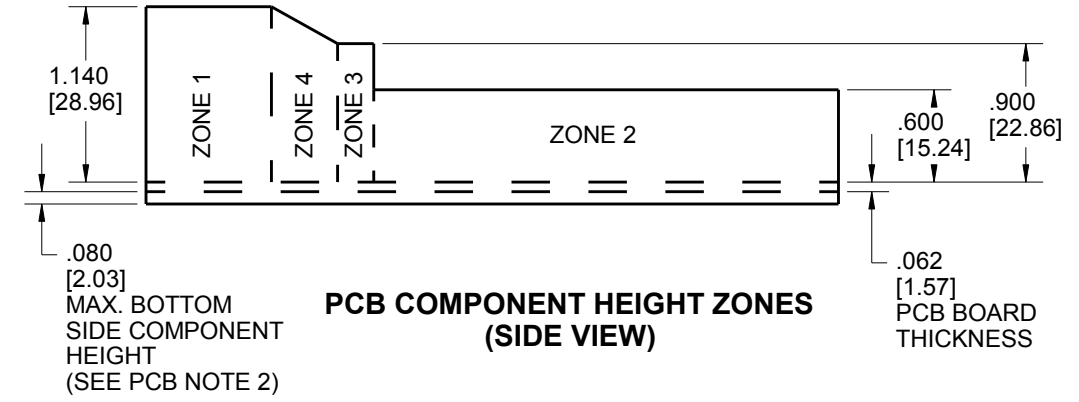
## PCB BOTTOM SIDE GENERAL ZONING & KEEP OUT AREAS



## PCB OVERALL DIMENSIONS AND HOLE LOCATIONS



## PCB COMPONENT HEIGHT ZONES (SIDE VIEW)



### PCB COMPONENTS HEIGHT LIMIT

	ZONE 1	ZONE 2	ZONE 3	ZONE 4
MAX. HEIGHT FOR COMPONENTS (ABOVE PCB)	1.140"	.600"	.900"	SEE PCB NOTE 3

- PCB NOTES:**
- ON BOTTOM SIDE OF THE PCB, COMPONENTS OR TRACES MUST BE MIN. .100" AWAY FROM THE EDGE OF THE PCB.
  - THE BOTTOM SIDE OF THE PCB SHOULD NOT HAVE COMPONENTS OR LEADS THAT EXTEND HIGHER THAN .080" (SEE PG. 6 SIDE VIEW).
  - AREA HAS VARIABLE HEIGHT. SEE PCB COMPONENT HEIGHT ZONES VIEW FOR DETAILS.

UNITS <b>ENGLISH</b>	<b>CINCH</b>	1700 FINLEY RD LOMBARD, IL. 60148
DO NOT SCALE DRAWING		TITLE SE HEADERS MODULAR ICE
UNLESS OTHERWISE SPECIFIED: ALL DIMENSIONS ARE IN INCHES		<b>PRO/E DRAWING</b>
FILLET/RADII .02 MAX	TOLERANCES X $\pm$ .1 XX $\pm$ .01 XXX $\pm$ .005 ANGULAR $\pm$ .5°	CAD FILE NUMBER 5810148005S
TOLERANCES AND LIMITS APPLY OVER ADDITIVE FINISH		DRAWING NUMBER 581 01 48 005 S
THIS DOCUMENT IS THE PROPERTY OF CINCH. NEITHER THIS DOCUMENT NOR ANY OF THE INFORMATION CONTAINED IN IT MAY BE DUPLICATED OR DISCLOSED WITHOUT PRIOR WRITTEN CONSENT OF CINCH.		REV E
CAGE IDENT NO. 71785	SIZE B	SCALE 4:5
		SHEET 3 OF 6

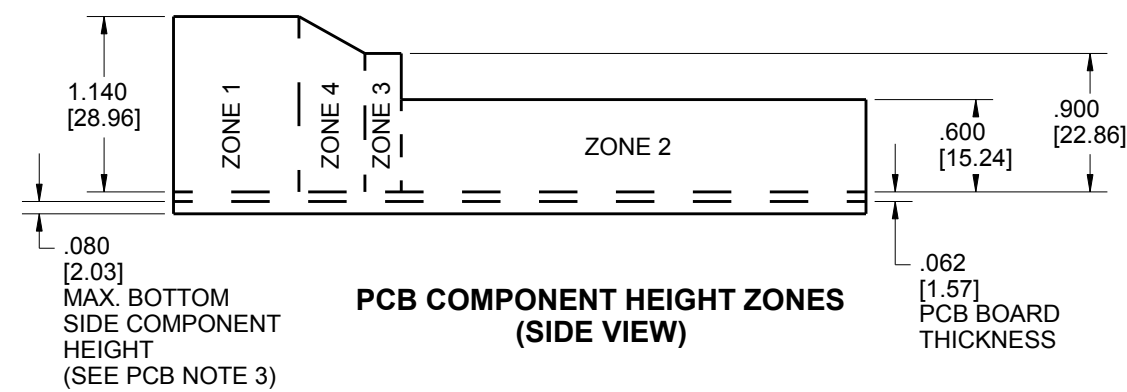
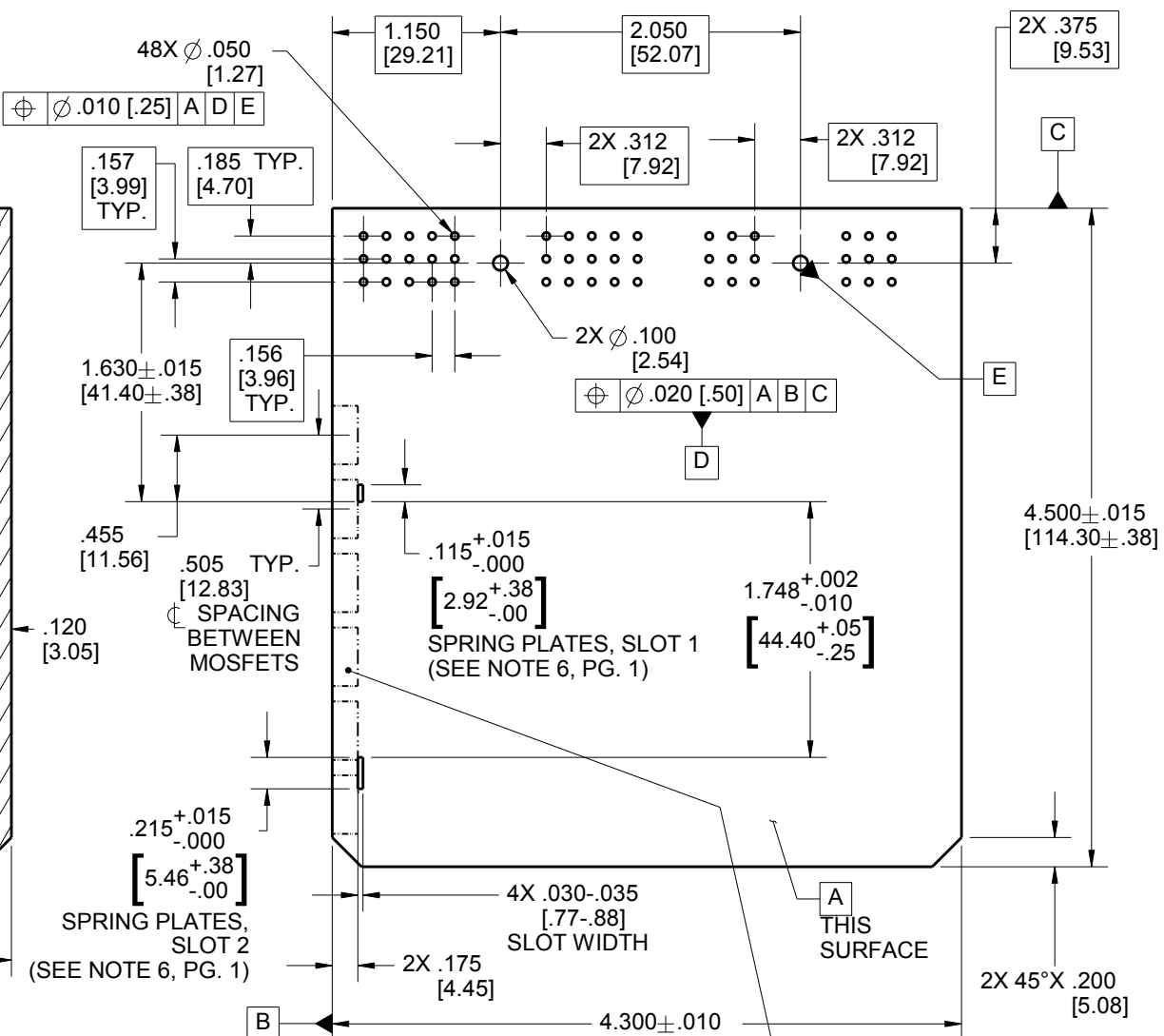
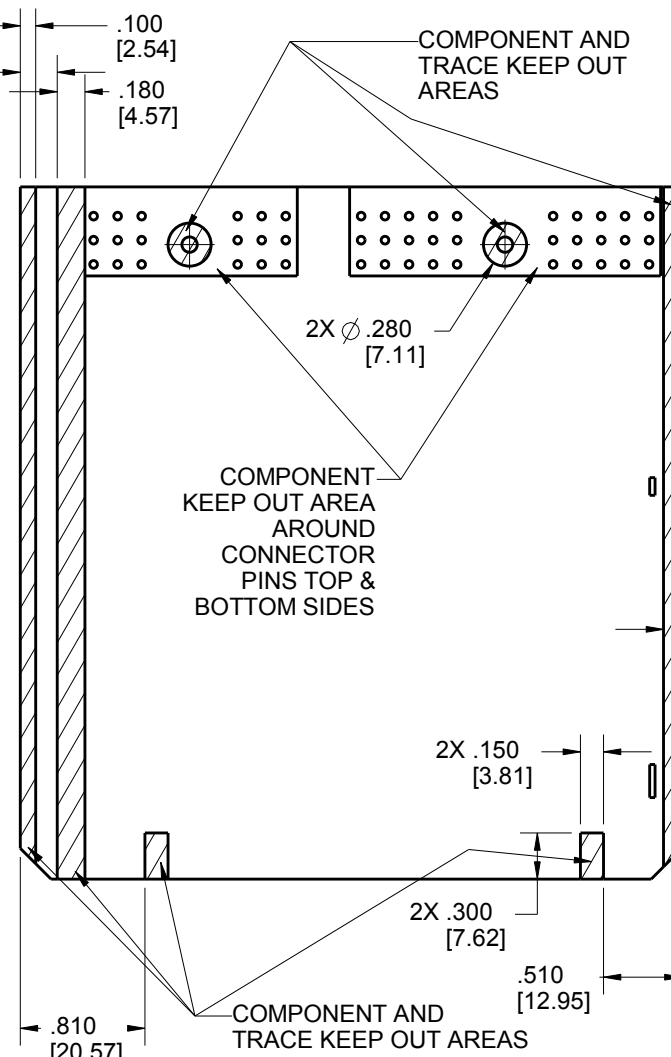
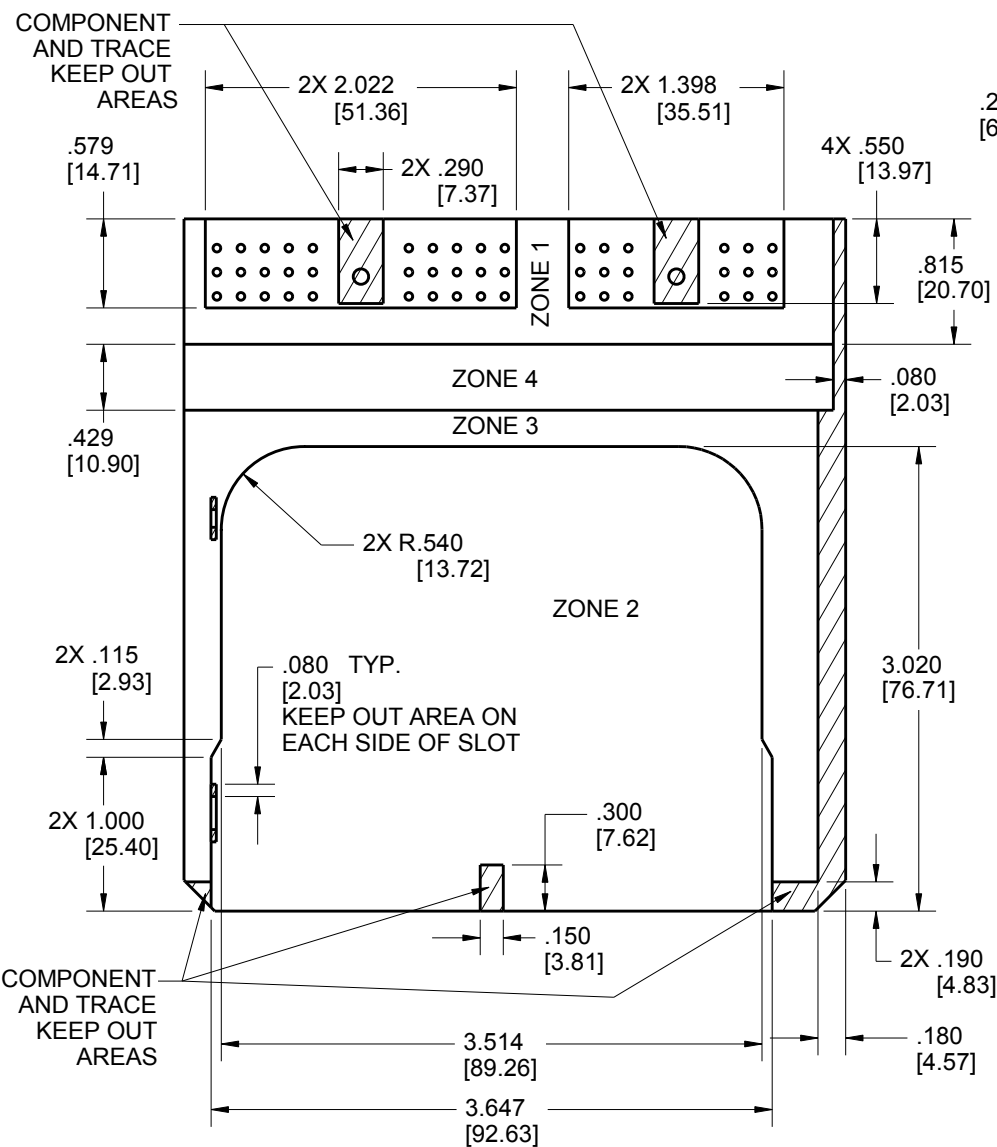


# PCB LAYOUT WITH ONE HEAT SINK

## PCB TOP SIDE GENERAL ZONING & KEEP OUT AREAS

## PCB BOTTOM SIDE GENERAL ZONING & KEEP OUT AREAS

## PCB OVERALL DIMENSIONS AND HOLE LOCATIONS



PCB COMPONENTS HEIGHT LIMIT				
	ZONE 1	ZONE 2	ZONE 3	ZONE 4
MAX. HEIGHT FOR COMPONENTS (ABOVE PCB)	1.140"	.600"	.900"	SEE PCB NOTE 4

- PCB NOTES:
- IF MOSFET SPRINGS ARE USED, ZONE 3 SHOULD CONTAIN ONLY MOSFETS AND TRACES BETWEEN THE SPRINGS AND EDGE OF THE BOARD.
  - ON BOTTOM SIDE OF THE PCB, COMPONENTS OR TRACES MUST BE MIN. .100" AWAY FROM THE EDGE OF THE PCB.
  - THE BOTTOM SIDE OF THE PCB SHOULD NOT HAVE COMPONENTS OR LEADS THAT EXTEND HIGHER THAN .080" (SEE PG. 6 SIDE VIEW).
  - AREA HAS VARIABLE HEIGHT. SEE PCB COMPONENT HEIGHT ZONES VIEW FOR DETAILS.

UNITS	<b>ENGLISH</b>		<b>CINCH</b>		1700 FINLEY RD LOMBARD, IL. 60148
DO NOT SCALE DRAWING			TITLE		
UNLESS OTHERWISE SPECIFIED: ALL DIMENSIONS ARE IN INCHES			SE HEADERS MODULAR ICE		
Fillet/Radii .02 MAX			TOLERANCES		
TOLERANCES AND LIMITS APPLY OVER ADDITIVE FINISH			X ± .1 XX ± .01 XXX ± .005 ANGULAR ± 5°		
THIS DOCUMENT IS THE PROPERTY OF CINCH. NEITHER THIS DOCUMENT NOR ANY OF THE INFORMATION CONTAINED IN IT MAY BE DUPLICATED OR DISCLOSED WITHOUT PRIOR WRITTEN CONSENT OF CINCH.					
CAD FILE NUMBER	DRAWING NUMBER		REV		
5810148005S	581 01 48 005 S		E		
CAGE IDENT NO.	SIZE	SCALE	SHEET 5 OF 6		
71785	B	4:5			

MOSFET LOCATION(S)  
MAX. 6 TO-220 STYLE  
MOSFETS THIS SIDE ONLY.  
THIS SIDE REQUIRES  
MOSFET SPRING LABELED  
AS "R" (SEE NOTE 6, PG. 1)

8

7

6

5

4

3

2

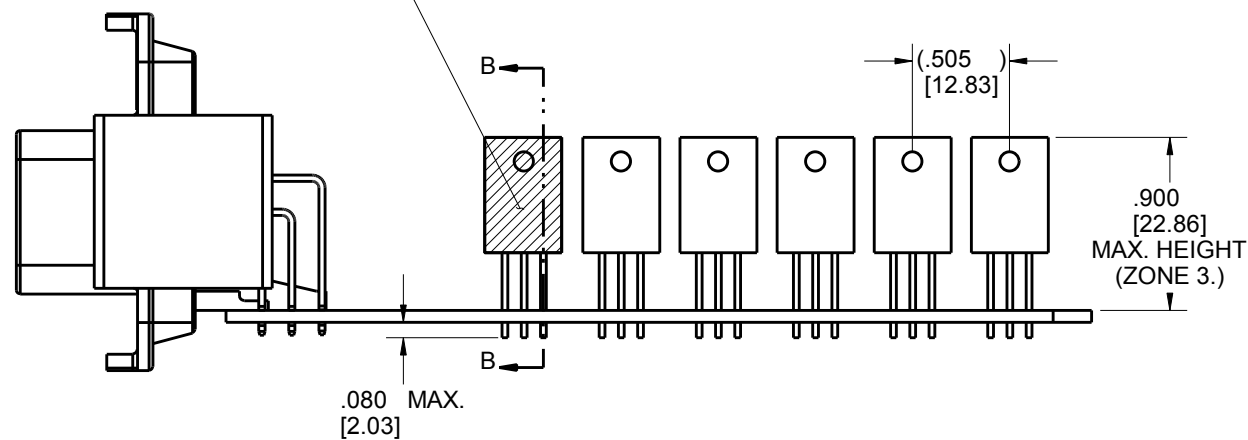
1

D

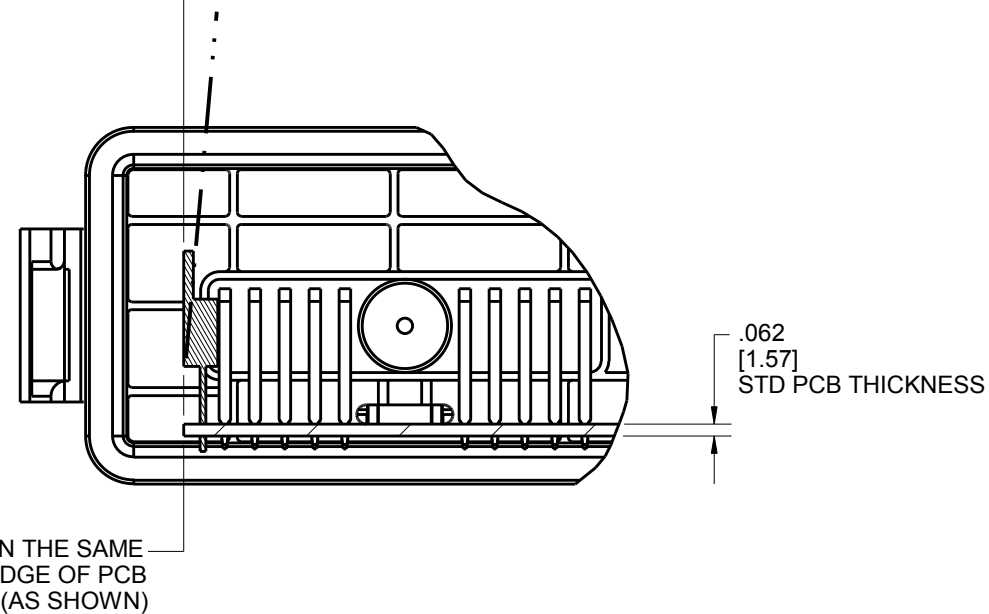
D

FOR EASE OF ASSEMBLY  
IT IS RECOMMENDED THAT MOSFET(S) BE  
TILTED UP TO 10° IN POSITIVE DIRECTION  
(SEE DOTTED LINE)

APPLY THIN BEAD OF THERMALLY CONDUCTIVE  
ADHESIVE PASTE TO ENTIRE MOSFET SURFACE.  
(SEE NOTE 5.)



**SIDE VIEW  
REQUIRED TO-220 PACKAGE PROFILE**



**REQUIRES TO-220 PACKAGING PROFILE  
PARTIAL SECTION B-B**

C

C

B

B

A

8

7

6

5

4

3

2

1

UNITS <b>ENGLISH</b>	<b>CINCH</b>		1700 FINLEY RD LOMBARD, IL. 60148
DO NOT SCALE DRAWING	TITLE SE HEADERS MODULAR ICE		
UNLESS OTHERWISE SPECIFIED: ALL DIMENSIONS ARE IN INCHES	PRO/E DRAWING		
FILLET/RADII .02 MAX	TOLERANCES X ± .1 XX ± .01 XXX ± .005 ANGULAR ± .5°	CAD FILE NUMBER 5810148005S	DRAWING NUMBER <b>581 01 48 005 S</b>
TOLERANCES AND LIMITS APPLY OVER ADDITIVE FINISH	THIS DOCUMENT IS THE PROPERTY OF CINCH. NEITHER THIS DOCUMENT NOR ANY OF THE INFORMATION CONTAINED IN IT MAY BE DUPLICATED OR DISCLOSED WITHOUT PRIOR WRITTEN CONSENT OF CINCH.	CAGE IDENT NO. 71785	REV E
	SIZE B	SCALE 1:1	SHEET 6 OF 6

## X-ON Electronics

Largest Supplier of Electrical and Electronic Components

*Click to view similar products for [Automotive Connectors](#) category:*

*Click to view products by [Bel Fuse](#) manufacturer:*

Other Similar products are found below :

[003-018-000](#) [60403001](#) [60993906-B](#) [M902-2131](#) [M902-2161](#) [M902-2344](#) [72.330.1035.1](#) [73.353.4028.0](#) [F119300-B](#) [F166900](#) [F258300-B](#)  
[F358300-B](#) [F407400](#) [F444110](#) [F487000](#) [F509500B-B](#) [827153-1](#) [8N1515-32-24P](#) [9-1326729-8](#) [925474-1](#) [928905-1](#) [964562-4](#) [968782-1](#)  
[GT17SA-8DS-HU](#) [98891-1012](#) [98947-1016](#) [12004147](#) [12004475-L](#) [12010290](#) [12010309-B](#) [12015454](#) [12020219-B](#) [12041318-B](#) [12052225-](#)  
[L](#) [12052466](#) [12064869](#) [12004327-B](#) [12015308](#) [12015384](#) [12015909](#) [1-21030-1](#) [12041254](#) [12041318](#) [12047946-B](#) [12047957](#) [12047957-L](#)  
[12059473](#) [12066261](#) [12110546](#) [12110546-B](#)