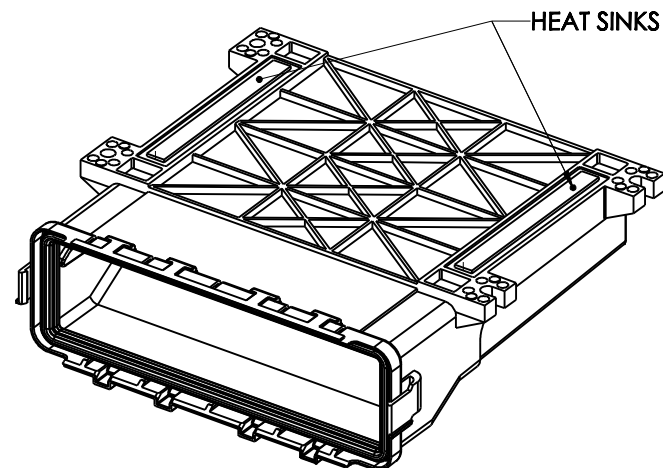


CINCH PART NUMBER MATRIX

DRAWING REVISIONS (RELEASE DATE ON FILE)			
REV	DOCUMENT	APP	APPROVAL DATE
D	CO 1985	V.RICE	9-11-12

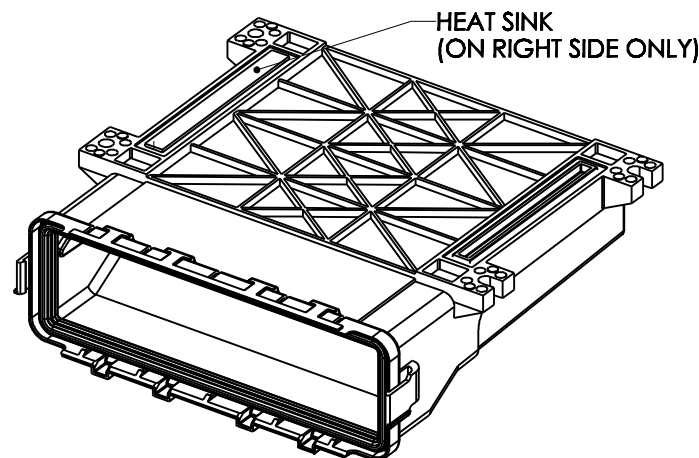
P/N: 5810160031

ENCLOSURE WITH TWO HEAT SINKS



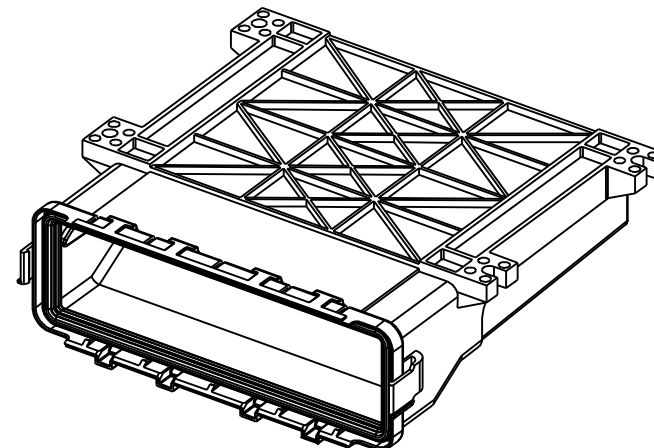
P/N: 5810160032

ENCLOSURE WITH ONE HEAT SINK



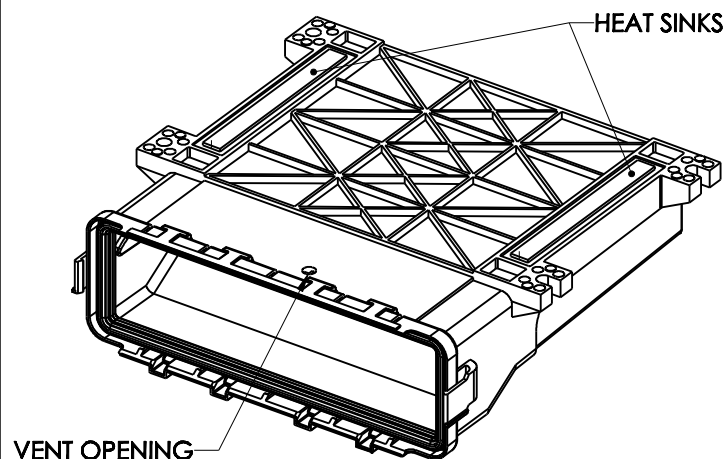
P/N: 5810160033

ENCLOSURE WITHOUT HEAT SINKS



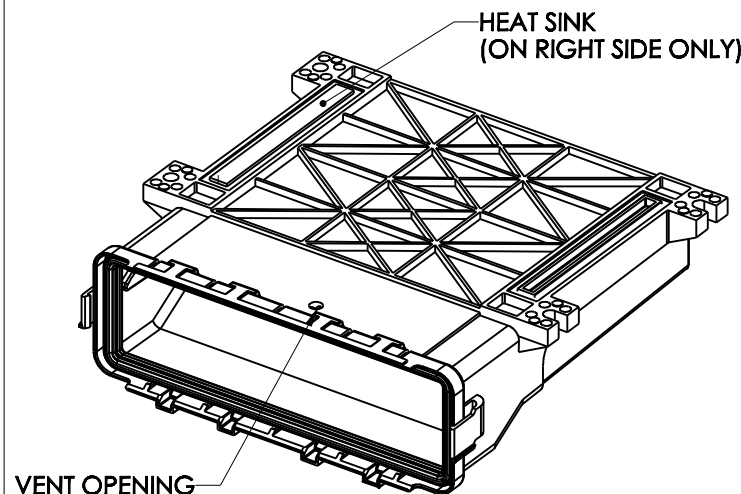
P/N: 5810160037

ENCLOSURE WITH TWO HEAT SINKS & MEMBRANE VENT



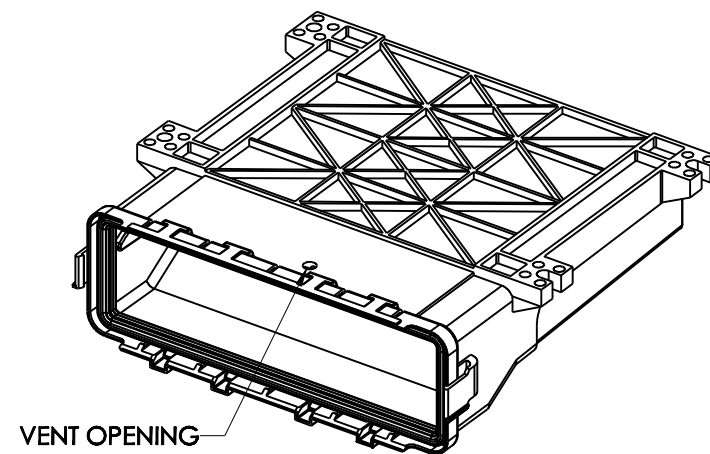
P/N: 5810160038

ENCLOSURE WITH ONE HEAT SINK & MEMBRANE VENT



P/N: 5810160039

ENCLOSURE WITHOUT HEAT SINKS & MEMBRANE VENT

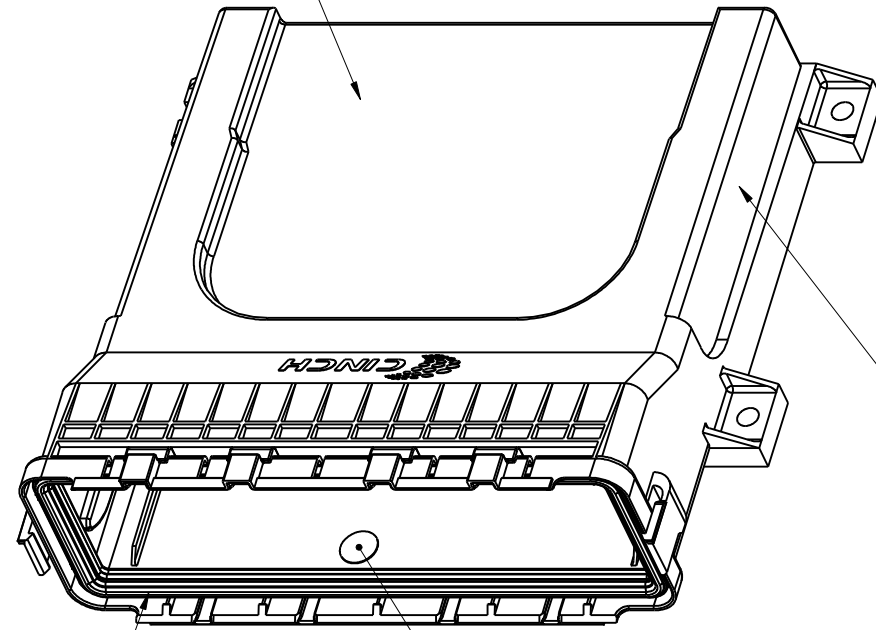


NOTE:

1. ALL DIMENSIONS ARE IN INCHES; DIMENSIONS IN [.XX] ARE IN mm AS REF. ONLY.
2. MATERIALS:
ENCLOSURE: 30 % GLASS FILLED POLYMER, COLOR BLACK;
PERIPHERAL SEAL: SILICONE RUBBER, COLOR BLUE.
HEAT SINK: ANODIZED ALUMINUM ALLOY.
3. HEADERS ARE SOLD SEPARATELY (CONSULT FACTORY FOR P/N);
FOR PCB SIZE AND REQUIREMENTS REFER TO HEADER DRAWINGS.
4. STANDARD PACKAGE SIZE: 21 PARTS / CARTON BOX.

UNITS ENGLISH INCHES		RoHS COMPLIANT		MODELED BY:	
DO NOT SCALE DRAWING		PRO/E		1700 FINLEY RD LOMBARD, IL 60148	
UNLESS OTHERWISE SPECIFIED: ALL DIMENSIONS ARE IN INCHES		DESIGN ENGINEER B. KOSTIC	DATE 11/09/04	TITLE ENCLOSURE ASSEMBLY MODICE LE	
FILLET/RADIUS .02 MAX.		APPROVALS ON FILE		CONTROL SPEC NUMBER	
TOLERANCES X ± .1 XX ± .01 XXX ± .005 ANGULAR ± .5°				PROJECT NUMBER A 14562	
CONFIDENTIAL THIS DOCUMENT IS THE PROPERTY OF CINCH. NEITHER THIS DOCUMENT NOR ANY OF THE INFORMATION CONTAINED IN IT MAY BE DUPLICATED OR DISCLOSED WITHOUT PRIOR WRITTEN CONSENT OF CINCH. ©COPYRIGHT 2012 CINCH				CAGE IDENT NO. 71785	
		DRAWING NUMBER 5810160031S		SHEET 1 OF 2	
		SCALE 1:3		SIZE B	

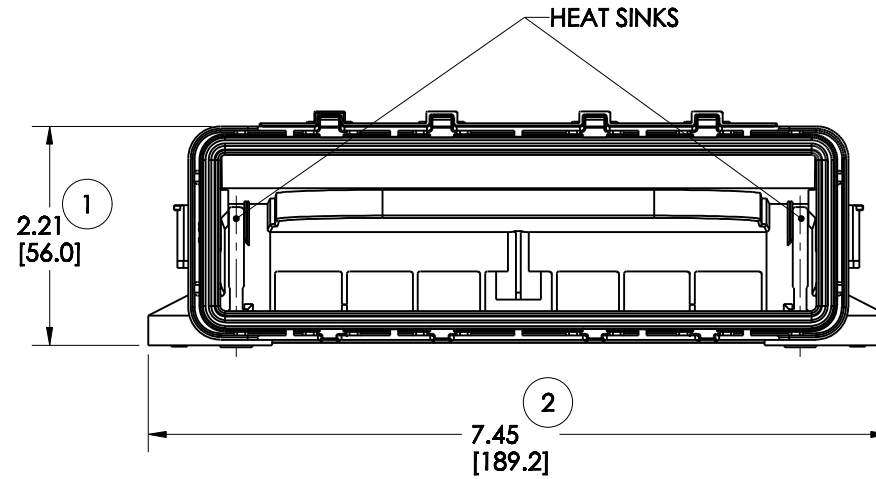
AREA SPECIFIED FOR LABELS
(APPROX. 4.00" X 3.25" MAX.)



ENCLOSURE

PERIPHERAL SEAL

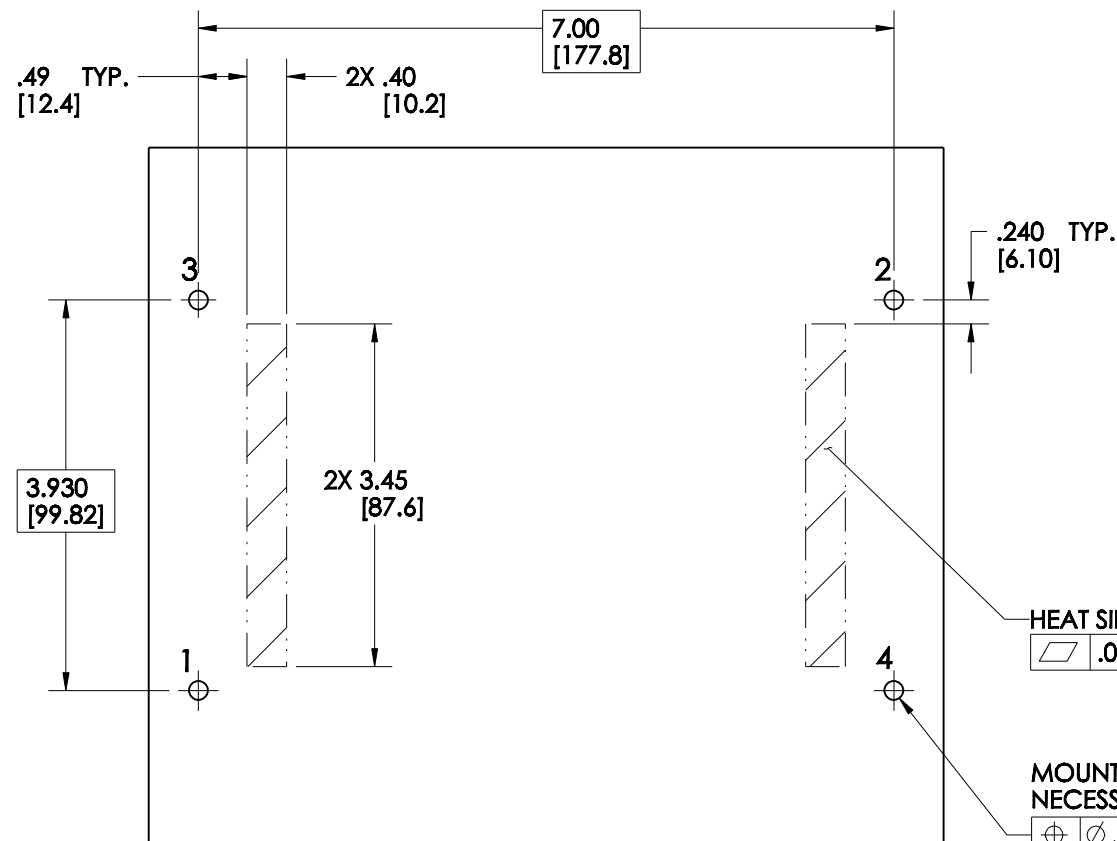
MEMBRANE VENT
(IF ENCLOSURE HAS VENT)



HEAT SINKS

2.21
[56.0]

7.45
[189.2]



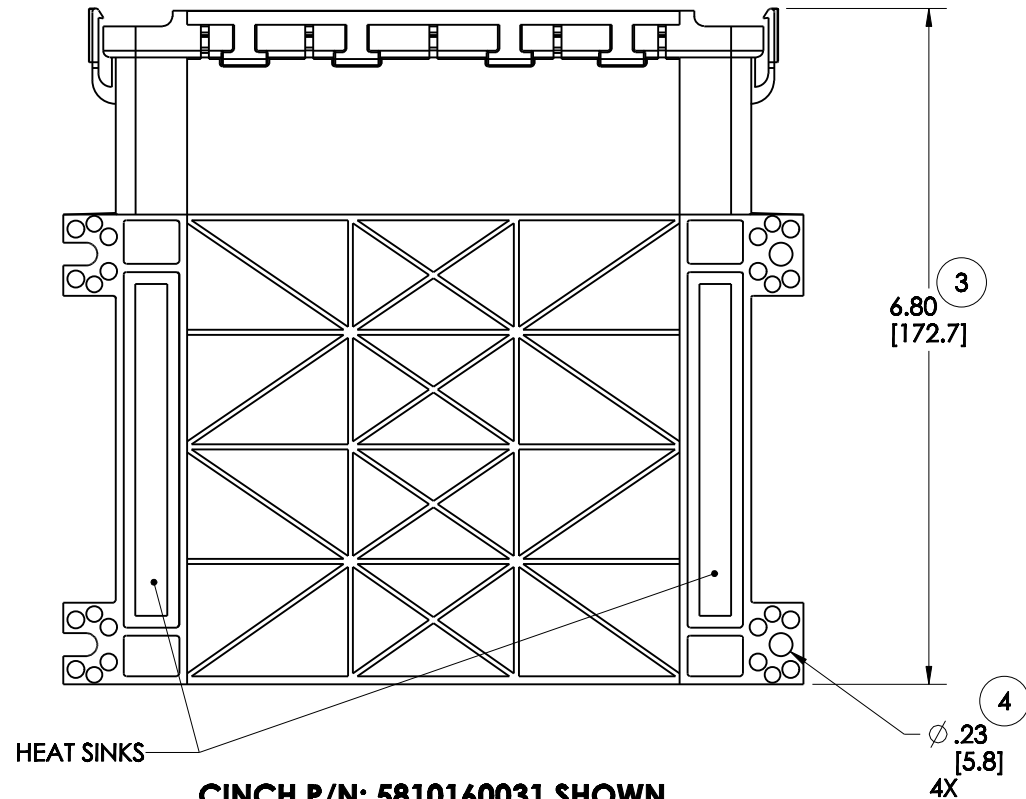
HEAT SINK CONTACT AREA
□ .005 [.12] (2X)

MOUNTING HOLES. HOLE SIZING AND / OR TAPPING AS NECESSARY FOR CUSTOMER MOUNTING HARDWARE

⊕ ∅ .005 [.12] A

FASTENERS SHOULD BE TIGHTENED BY HAND AT EACH LOCATION, APPLYING EQUAL PRESSURE AGAINST MOUNTING SURFACE IN ALL LOCATIONS, THEN TORQUE TO 10-12 IN. LB. [1.13-1.36 Nm] FOLLOWING THE PATTERN SHOWN.
TORQUE PATTERN: 1, 2, 3, 4

MOUNTING BRACKET LAY-OUT
SCALE 1:2



HEAT SINKS

CINCH P/N: 5810160031 SHOWN

6.80
[172.7]

∅ .23
[5.8]
4X

UNITS ENGLISH INCHES		CINCH		1700 FINLEY RD LOMBARD, IL. 60148	
DO NOT SCALE DRAWING		TITLE ENCLOSURE ASSEMBLY MODICE LE			
UNLESS OTHERWISE SPECIFIED: ALL DIMENSIONS ARE IN INCHES		PRO/E DRAWING			
FILLET/RADI .02 MAX.	TOLERANCES X ± .1 XX ± .01 XXX ± .005 ANGULAR ± .5°	CAD FILE NUMBER 5810160031S_JCE60	DRAWING NUMBER 5810160031S	REV D	
CONFIDENTIAL THIS DOCUMENT IS THE PROPERTY OF CINCH. NEITHER THIS DOCUMENT NOR ANY OF THE INFORMATION CONTAINED IN IT MAY BE DUPLICATED OR DISCLOSED WITHOUT PRIOR WRITTEN CONSENT OF CINCH. ©COPYRIGHT 2012 CINCH		CAGE IDENT NO. 71785	SIZE B	SCALE 1:2	SHEET 2 OF 2

X-ON Electronics

Largest Supplier of Electrical and Electronic Components

Click to view similar products for [Automotive Connectors](#) category:

Click to view products by [Bel Fuse](#) manufacturer:

Other Similar products are found below :

[003-018-000](#) [60403001](#) [60993906-B](#) [M902-2131](#) [M902-2161](#) [M902-2344](#) [72.330.1035.1](#) [73.353.4028.0](#) [F119300-B](#) [F166900](#) [F258300-B](#)
[F358300-B](#) [F407400](#) [F444110](#) [F487000](#) [F509500B-B](#) [827153-1](#) [8N1515-32-24P](#) [9-1326729-8](#) [925474-1](#) [928905-1](#) [964562-4](#) [968782-1](#)
[GT17SA-8DS-HU](#) [98891-1012](#) [98947-1016](#) [12004147](#) [12004475-L](#) [12010290](#) [12010309-B](#) [12015454](#) [12020219-B](#) [12041318-B](#) [12052225-](#)
[L](#) [12052466](#) [12064869](#) [12004327-B](#) [12015308](#) [12015384](#) [12015909](#) [1-21030-1](#) [12041254](#) [12041318](#) [12047946-B](#) [12047957](#) [12047957-L](#)
[12059473](#) [12066261](#) [12110546](#) [12110546-B](#)