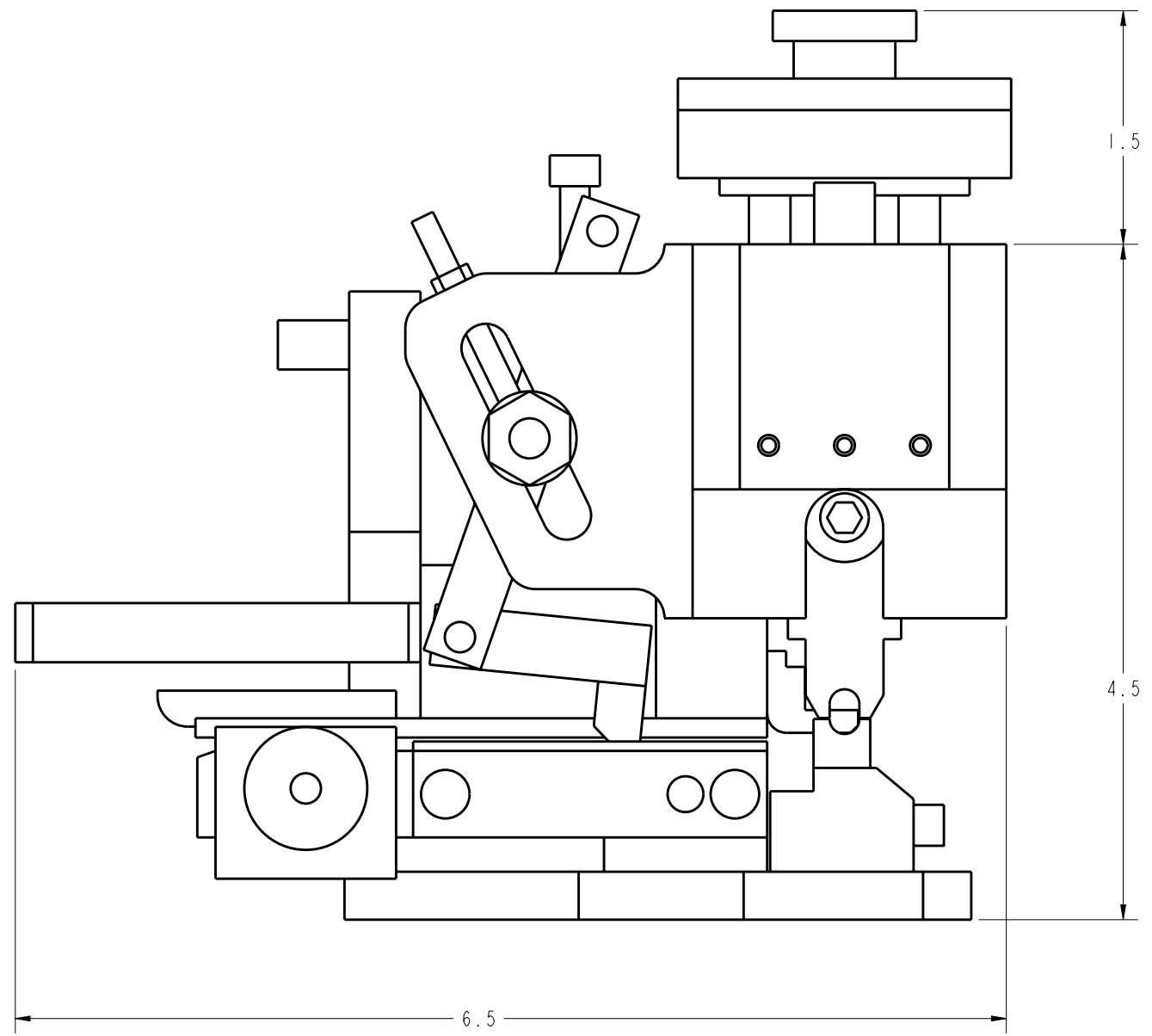


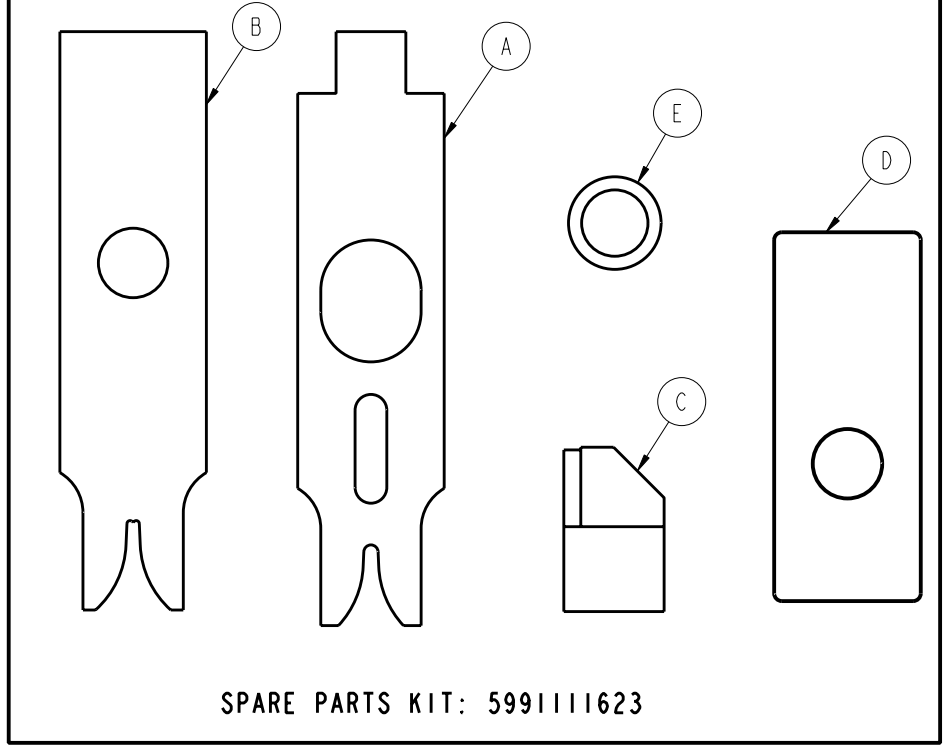
8 7 6 5 4 3 2 1

D
C
B
A



NOTE: DO NOT SCALE DRAWINGS

ITEM	QTY	DESCRIPTION
A	1	INSULATION PUNCH
B	1	WIRE PUNCH
C	1	ANVIL
D	1	SPACER
E	1	SPACER RING 2.4MM



SPARE PARTS KIT: 5991111623

- NOTE 1:
THIS APPLICATOR COMES EQUIP TO CRIMP CINCH
TERMINAL 4250000872
- NOTE 2:
TO CRIMP TERMINAL 4250000873, USE KIT NUMBER:
5991111624
- NOTE 3:
THIS APPLICATOR FITS MOST 40MM (1.5") STROKE
PRESS

DRAWING REVISIONS

REV	DOCUMENT	APP	DATE
1	RELEASE TO SALE		05/23/01
2	REVISED NOTES		06/05/01
A	RELEASE TO FILE 01-1260	CO	06/13/01

D
C
B
A

MODELED BY:

UNITS ENGLISH		PRO/E	Cinch	1700 FINLEY RD LOMBARD, IL. 60148
DO NOT SCALE DRAWING	DRAWN BY C. ONG	DATE 05/23/01	TITLE APPLICATOR, CRIMP, (4250000872)	
<small>THIS DOCUMENT IS THE PROPERTY OF CINCH. NEITHER THIS DOCUMENT NOR ANY OF THE INFORMATION CONTAINED IN IT MAY BE DUPLICATED OR DISCLOSED WITHOUT PRIOR WRITTEN CONSENT OF CINCH.</small>	DESIGN ENGINEER	-	MATERIAL	CONTROL SPEC NUMBER
	DESIGN ENGINEERING MGR. C. ONG	-	MATERIAL SPEC NUMBER	FINISH
	MFG. ENGINEERING	-	CAD FILE NUMBER 5991111621S	DRAWING NUMBER 599 11 11 621S
	QUALITY ASSURANCE	-	CAGE IDENT NO. SIZE 71785 B	SCALE 1:1
			SHEET 1 OF 1	

8 7 6 5 4 3 2 1

X-ON Electronics

Largest Supplier of Electrical and Electronic Components

Click to view similar products for [Automotive Connectors](#) category:

Click to view products by [Bel Fuse](#) manufacturer:

Other Similar products are found below :

[003-018-000](#) [600858](#) [60403001](#) [60993906-B](#) [60993913-B](#) [629515004020001](#) [M902-2131](#) [M902-2161](#) [M902-2344](#) [72.330.1035.1](#)
[73.353.4028.0](#) [F118010](#) [F119300-B](#) [F132210](#) [F132210-B](#) [F166900](#) [F180100](#) [F258300](#) [F258300-B](#) [F294300-B](#) [F339100](#) [F339700](#) [F358300-](#)
[B](#) [F374110](#) [F407400](#) [F412210](#) [F427600](#) [F444110](#) [F487000](#) [F495100-B](#) [F500900-B](#) [F509500B-B](#) [770444-1](#) [776880-1](#) [827153-1](#) [881735-1](#)
[8N1515-32-24P](#) [9-1326727-8](#) [9-1326729-8](#) [925467-1](#) [925474-1](#) [928905-1](#) [936398-2](#) [964562-1](#) [964562-4](#) [964731-2](#) [965051-1](#) [968782-1](#)
[GT17SA-8DS-HU](#) [GT17VS-10DP-5.2CF](#)