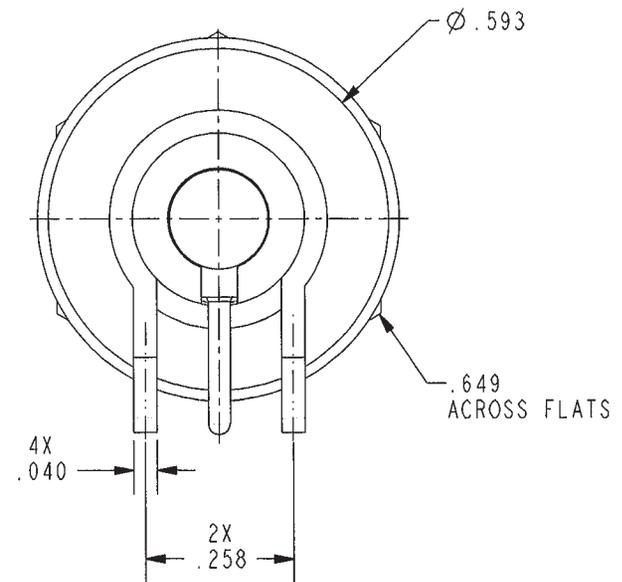
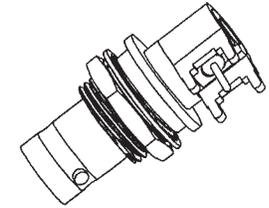
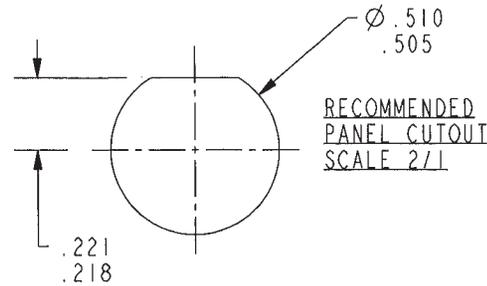
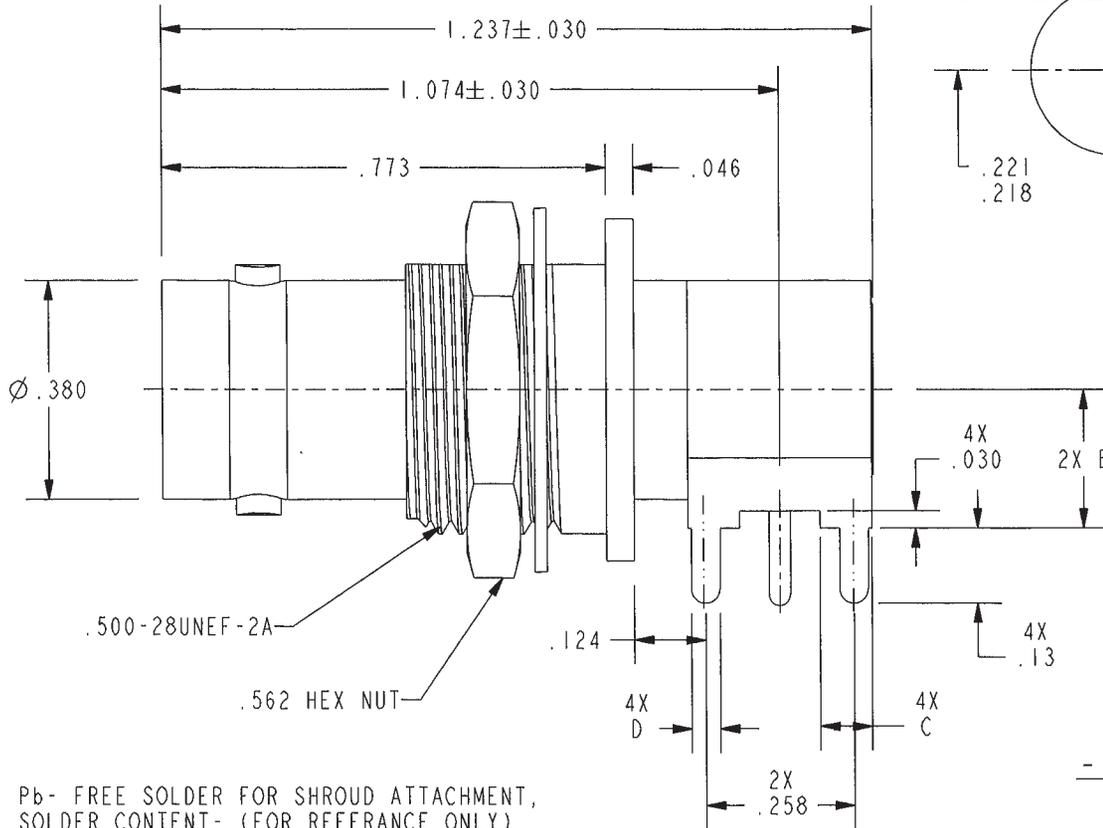


DASH NUMBER	MODEL NUMBER	IMPD $\Omega$	A DIA	B DIM	C DIM	D DIM	E DIA
-1	CBBJR29	50	.046	.24	.090	.050	.0625
-2	UCBBJR29	75	.029	.24	.090	.050	.0625
-3	CBBJR29A	50	.046	.34	.090	.058	.070
-4	UCBBJR29A	75	.029	.34	.090	.058	.070

DATA CONTAINED IN THIS DOCUMENT IS PROPRIETARY TO TROMPETER ELECTRONICS INC. AND SHALL NOT BE DISCLOSED, COPIED OR USED FOR PROCUREMENT OR MANUFACTURE WITHOUT EXPRESS WRITTEN PERMISSION.

REVISIONS			
REV	DESCRIPTIONS	DATE	APPROVED
A	REVISED PER ECO 16625	7-18-08	<i>Dramos</i>



- L SHOWN

RED INDICATES ORIGINAL

5. Pb- FREE SOLDER FOR SHROUD ATTACHMENT, SOLDER CONTENT- (FOR REFERENCE ONLY) (Sn = 96.5%, Ag = 3.0%, Cu = 0.5%)

4. MAXIMUM PANEL THICKNESS .179

3. EXAMPLE OF COMPLETE PART NUMBER:

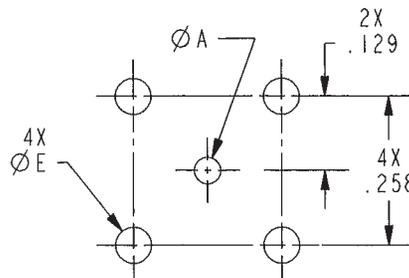
6-0001 -1

BASIC PART NUMBER      DASH NUMBER

2. FINISH: TFS-1T2 (LEAD FREE TIN)

1. RoHS 6 COMPLIANT 50 & 75  $\Omega$  RIGHT ANGLE CIRCUIT BOARD AND BULKHEAD MOUNTING BNC RECEPTACLE

NOTES: UNLESS OTHERWISE SPECIFIED.



INTERPRET DRAWING PER MIL-STD-100. DIMENSIONS ARE IN INCHES AND INCLUDE FINISH THICKNESS UNLESS OTHERWISE SPECIFIED.		TOL: UNLESS SPECIFIED. .XX ± .02 .XXX ± .010 ANGLE ± 1°			
DRW N JOHNSON	5-15-08	MATERIAL:			
CHK gm	6-23-08	FINISH:		SIZE A	CAGE CODE 14949
QUANTITY		APPROVED		DRAWING NO. 6-0001	REV. A
MANUF		PROJ FILE NO. 6-0001		SCALE 3/1	DATE 1-13-06
NEXT ASSY		DO NOT SCALE DWG		SHEET 1C	

## X-ON Electronics

Largest Supplier of Electrical and Electronic Components

*Click to view similar products for [RF Connectors / Coaxial Connectors](#) category:*

*Click to view products by [Bel Fuse](#) manufacturer:*

Other Similar products are found below :

[8915-1511-000](#) [89674-0827](#) [6001-7071-019](#) [6002-7051-003](#) [6002-7551-202](#) [6059674-1](#) [619550-1](#) [630059-000](#) [M39030/3-01N](#) [6500-7071-046](#) [6769](#) [CX050L2AQ](#) [7002-1541-010](#) [7002-1542-011](#) [7004-1512-000](#) [7009-1511-004](#) [7010-1511-000](#) [7029-1511-060](#) [7101-1541-010](#) [7101-1571-002](#) [7145-1521-002](#) [7203-1571-003](#) [7209-1511-011](#) [7210-1511-015](#) [7210-1511-019](#) [73137-5015](#) [73216-2241](#) [73404-2300](#) [7405-1521-005](#) [7405-1521-802](#) [8527](#) [8547](#) [FS11V](#) [877931](#) [9049-9513-000](#) [9074-9513-000](#) [9101-9573-002](#) [910A205F](#) [9130-9573-002](#) [PL11SC-026](#) [PL375-33](#) [PL40-5](#) [PL74C-221](#) [PL75MC-217](#) [PL803-7](#) [980-8666-005](#) [1200690078](#) [1-201144-1](#) [R107003010W](#) [R110A172100](#)