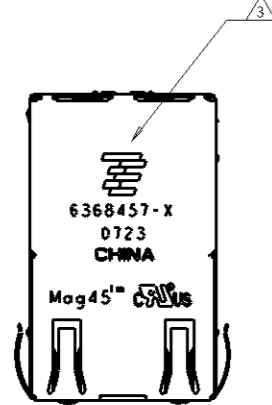
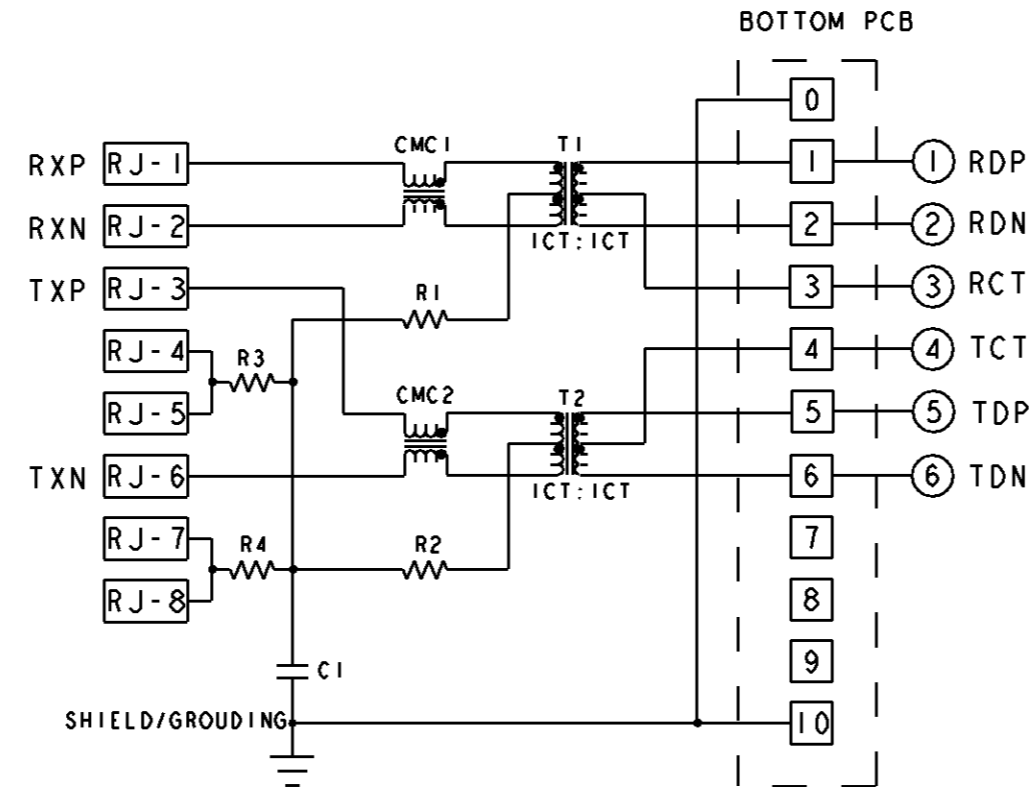


REV	DATE	DESCRIPTION	DATE	BY	APP'D
A	EC0513-0658-04		30DEC2005	CG	PD
B	ECO-08-012510		08SEP2008	PL	TX

S866P9 MAGNETIC CIRCUIT STACKED



VIEW R
SCALE 3:1



R1 - R4 = 75 Ohms, 1/16W, 5% RESISTORS
C1 = 1000pF, 2KV DECOUPLING CAP

MATERIALS:
 PLASTIC HOUSING: BLACK, THERMOPLASTIC FLAMMABILITY RATING UL 94V-0
 SHIELD: BRASS, PLATED WITH 0.76 μm SEMI-BRIGHT NICKEL, POST DIPPED WITH 2.54 μm MIN SAC SOLDER ON SOLDER TAILS
 CONTACTS: PHOSPHOR BRONZE, 1.27 μm MIN OVERALL NICKEL UNDER PLATE WITH SELECT 1.27 μm MIN GOLD AT MATING INTERFACE AND 2.54 μm MIN MATTE TIN ON SOLDER TAILS.
 LED: DIFFUSED EPOXY LENS, CARBON STEEL LEAD FRAME
 LEADS PREPLATED WITH 2.03 μm MIN SILVER OVER 1.02 μm MIN NICKEL UNDERPLATE OVER 1.02 μm MIN COPPER UNDERPLATE. POST-PLATED WITH 2.54 μm MIN MATTE TIN AND/OR SAC SOLDER DIP OR PURE TIN SOLDER DIP

MAGNETICS:
 APPLICATION: 10/100 BASE-T
 IMPEDANCE: 100 OHMS
 TURNS RATIO (CHIP:CABLE): TX = 1:1, RX = 1:1
 OPEN CIRCUIT INDUCTANCE (OCL): 350μH MIN @100kHz, 0.1VRMS, 8mADC BIAS FROM 0°C TO 70°C, TX AND RX
 PERFORMANCE @ 25°C:
 INSERTION LOSS (IL): 1.1dB MAX FROM 0.5MHz TO 100MHz
 RETURN LOSS (RL): 18dB MIN FROM 0.5MHz TO 30MHz
 18-20LOG(f/30)dB MIN FROM 30.1MHz TO 60MHz
 12dB MIN FROM 60.1MHz TO 80MHz
 CROSSTALK ATTENUATION: 35dB MIN FROM 0.5MHz TO 40MHz
 33-20LOG(f/50)dB MIN FROM 40.1MHz TO 100MHz
 COMMON MODE REJECTION RATIO (CMRR): 30dB MIN FROM 0.5MHz TO 100MHz
 ISOLATION VOLTAGE: COMPLIES WITH IEEE802.3 2002, PARA 23.5.1.1, ITEM b.

PART NO.; DATE CODE; TYCO ELECTRONICS, PRODUCT AND AGENCY APPROVAL LOGOS TO BE MARKED IN APPROX LOCATION SHOWN.

4. OPERATING TEMPERATURE: FROM 0° C TO + 70° C.

RJ45 CAVITY CONFORMS TO FCC RULES AND REGULATION PART 68 SUBPART F.

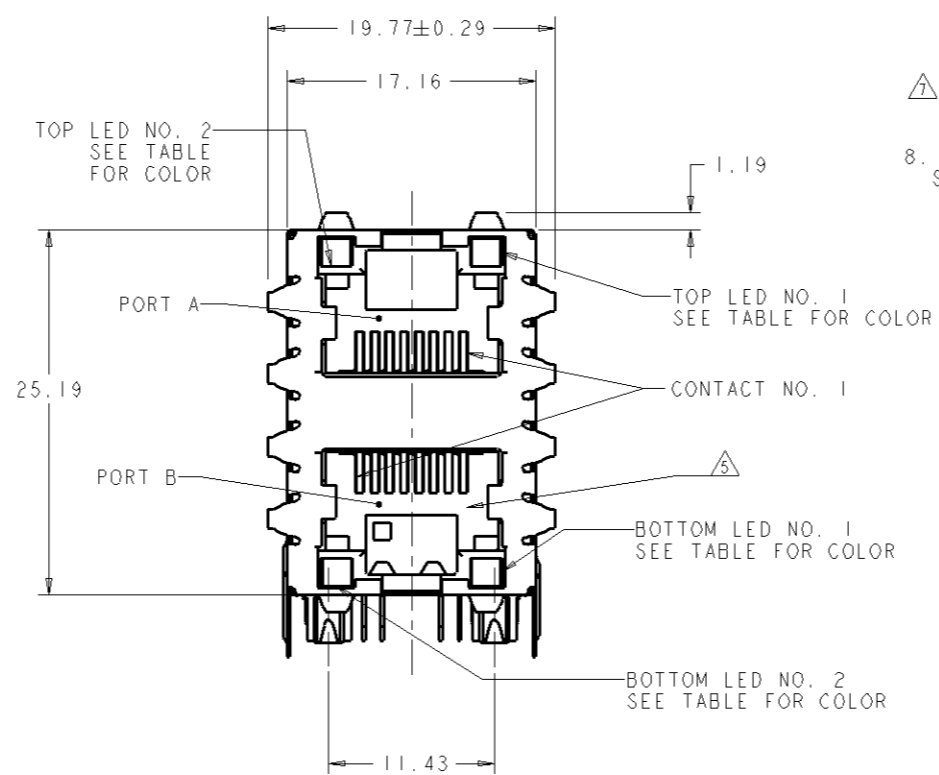
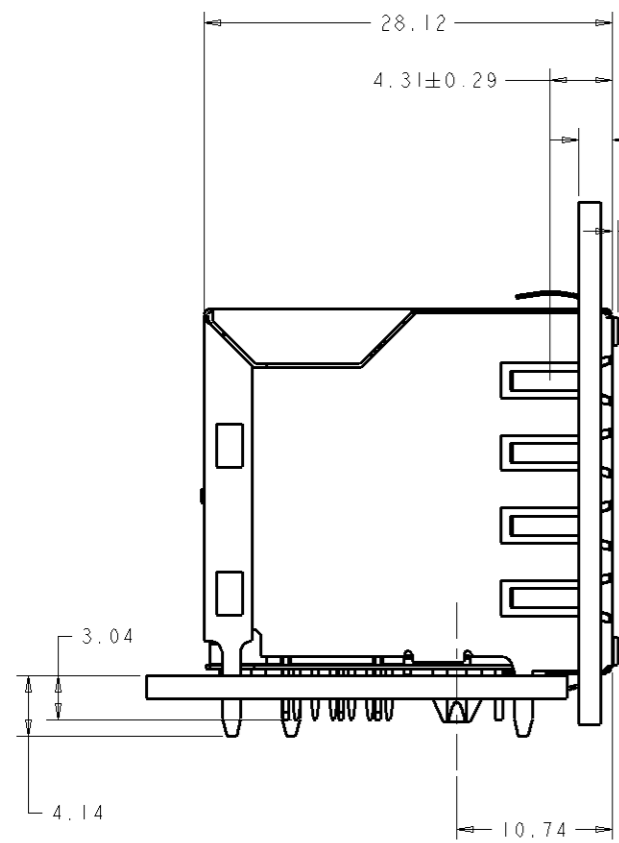
6. LED'S COMPLIANT WITH IEC60825-1 SAFETY OF LASER PRODUCTS WHEN OPERATED AT CURRENT OF 20 mA MAX. LED IS DRIVEN WITH CONSTANT CURRENT AT APPROX 20mA. LED COLOR:

**DOMINANT WAVELENGTH (λD): GREEN 568 nm TYP @IF=20mA
FORWARD VOLTAGE (VF): GREEN 2.2V TYP @ IF=20mA**

**DOMINANT WAVELENGTH (λD): YELLOW 588 nm TYP @IF=20mA
FORWARD VOLTAGE (VF): YELLOW 2.1V TYP @ IF=20mA**

INDICATED CONNECTIONS ARE FOR HUB CONFIGURATION. THE MAGNETICS ARE SYMMETRICAL AND SUPPORT AUTO-MDI/MDIX.

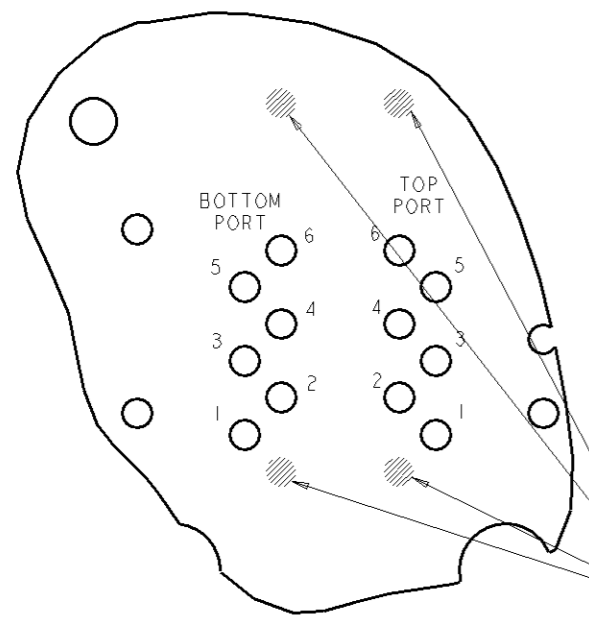
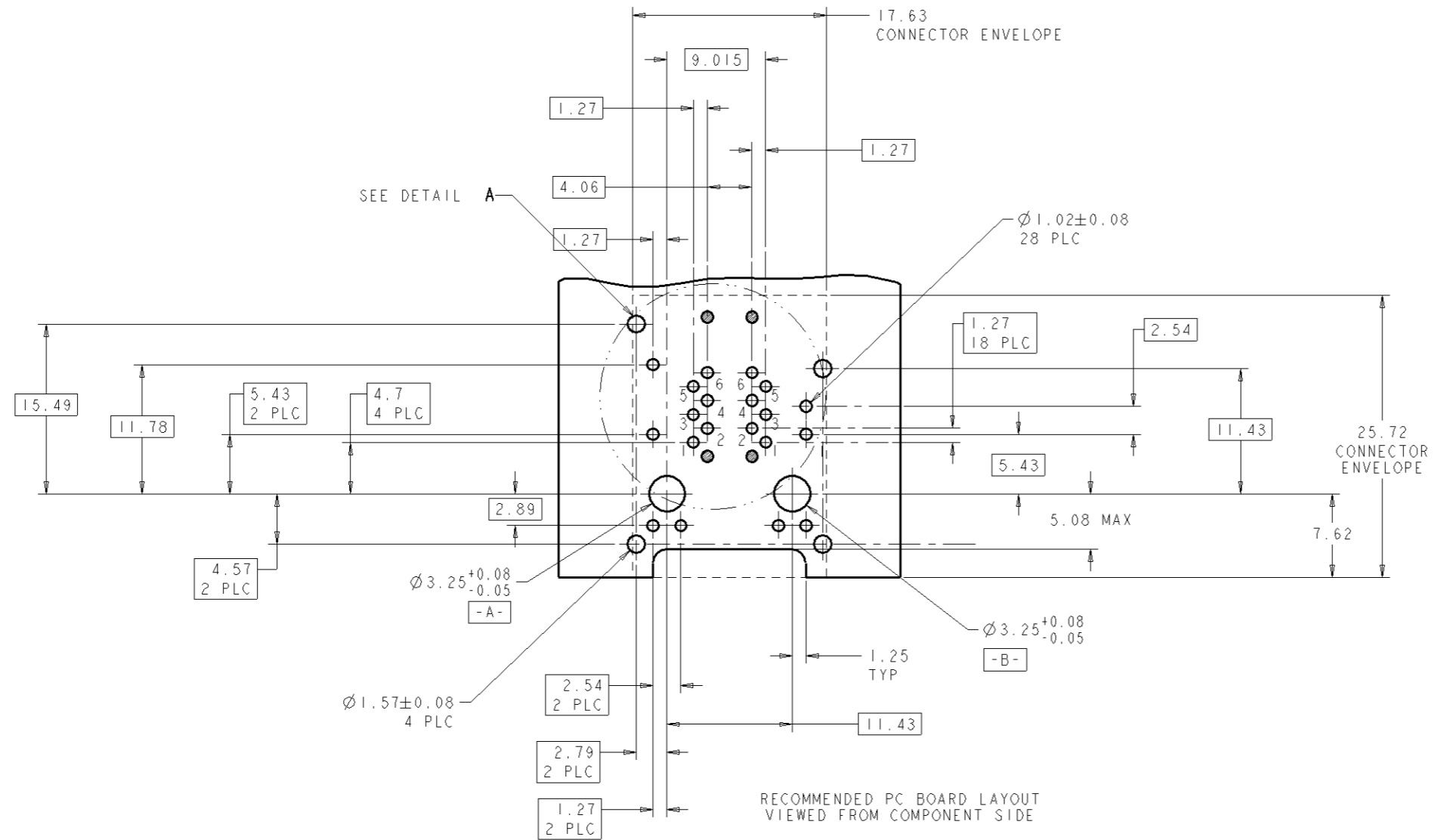
8. THESE PARTS ARE RECOMMENDED FOR WAVE SOLDERING PROCESS, PEAK SOLDERING TEMPERATURE IS 265°C MAX, 10 SECONDS MAX



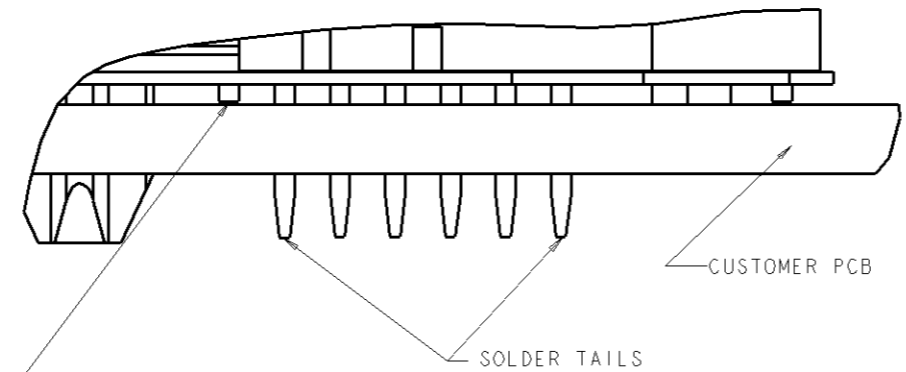
GRN/YEL	GRN/YEL	GRN/YEL	GRN/YEL	6368457-4
GREEN	YELLOW	GREEN	YELLOW	6368457-3
YELLOW	GREEN	GREEN	YELLOW	6368457-2
GREEN	GREEN	GREEN	GREEN	6368457-1
BOTTOM LED NO. 2	BOTTOM LED NO. 1	TOP LED NO. 2	TOP LED NO. 1	PART NO.

DIMENSIONS: mm (INCHES)		TOLERANCES UNLESS SPECIFIED: 0 PLC ±0.25 1 PLC ±0.25 2 PLC ±0.25 3 PLC ±0.25 4 PLC ±0.25 5 PLC ±0.25 6 PLC ±0.25 7 PLC ±0.25 8 PLC ±0.25 9 PLC ±0.25 10 PLC ±0.25 11 PLC ±0.25 12 PLC ±0.25 13 PLC ±0.25 14 PLC ±0.25 15 PLC ±0.25 16 PLC ±0.25 17 PLC ±0.25 18 PLC ±0.25 19 PLC ±0.25 20 PLC ±0.25 21 PLC ±0.25 22 PLC ±0.25 23 PLC ±0.25 24 PLC ±0.25 25 PLC ±0.25 26 PLC ±0.25 27 PLC ±0.25 28 PLC ±0.25 29 PLC ±0.25 30 PLC ±0.25 31 PLC ±0.25 32 PLC ±0.25 33 PLC ±0.25 34 PLC ±0.25 35 PLC ±0.25 36 PLC ±0.25 37 PLC ±0.25 38 PLC ±0.25 39 PLC ±0.25 40 PLC ±0.25 41 PLC ±0.25 42 PLC ±0.25 43 PLC ±0.25 44 PLC ±0.25 45 PLC ±0.25 46 PLC ±0.25 47 PLC ±0.25 48 PLC ±0.25 49 PLC ±0.25 50 PLC ±0.25 51 PLC ±0.25 52 PLC ±0.25 53 PLC ±0.25 54 PLC ±0.25 55 PLC ±0.25 56 PLC ±0.25 57 PLC ±0.25 58 PLC ±0.25 59 PLC ±0.25 60 PLC ±0.25 61 PLC ±0.25 62 PLC ±0.25 63 PLC ±0.25 64 PLC ±0.25 65 PLC ±0.25 66 PLC ±0.25 67 PLC ±0.25 68 PLC ±0.25 69 PLC ±0.25 70 PLC ±0.25 71 PLC ±0.25 72 PLC ±0.25 73 PLC ±0.25 74 PLC ±0.25 75 PLC ±0.25 76 PLC ±0.25 77 PLC ±0.25 78 PLC ±0.25 79 PLC ±0.25 80 PLC ±0.25 81 PLC ±0.25 82 PLC ±0.25 83 PLC ±0.25 84 PLC ±0.25 85 PLC ±0.25 86 PLC ±0.25 87 PLC ±0.25 88 PLC ±0.25 89 PLC ±0.25 90 PLC ±0.25 91 PLC ±0.25 92 PLC ±0.25 93 PLC ±0.25 94 PLC ±0.25 95 PLC ±0.25 96 PLC ±0.25 97 PLC ±0.25 98 PLC ±0.25 99 PLC ±0.25 100 PLC ±0.25		DWG: C GILLETTE 30DEC2005 CHK: P D'AMATO 03JAN2006 APPR: S FICKLINGER 03JAN2006 NAME: INTEGRATED MAGNETIC STACKED MODULAR JACK, 2X1 W/LEDS, 10/100 ETHERNET, RJ45, WAVE PANEL GROUND SHIELD PRODUCT SPEC: 108-2100 APPLICATION SPEC: SIZE: CAGE CODE: DRAWING NO: A 00779 C=6368457 WEIGHT: CUSTOMER DRAWING: SCALE: NTS SHEET 1 OF 3 REV B	
----------------------------	--	---	--	---	--

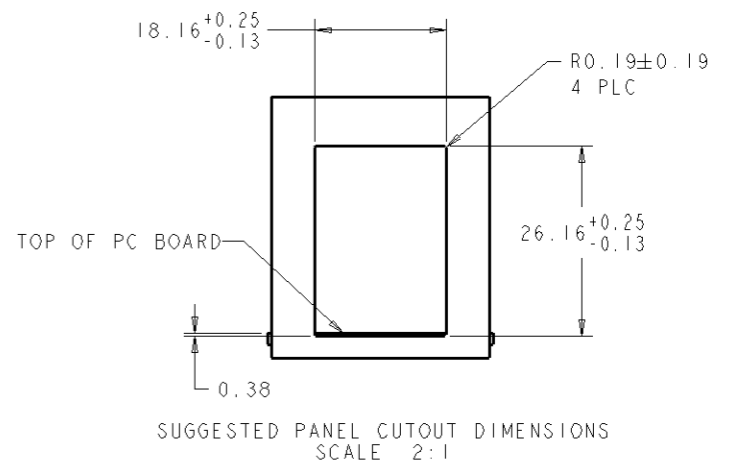
REV	DATE	DESCRIPTION	BY	APP'D
AA	00	SEE SHEET 1		



DETAIL A
SCALE 8:1



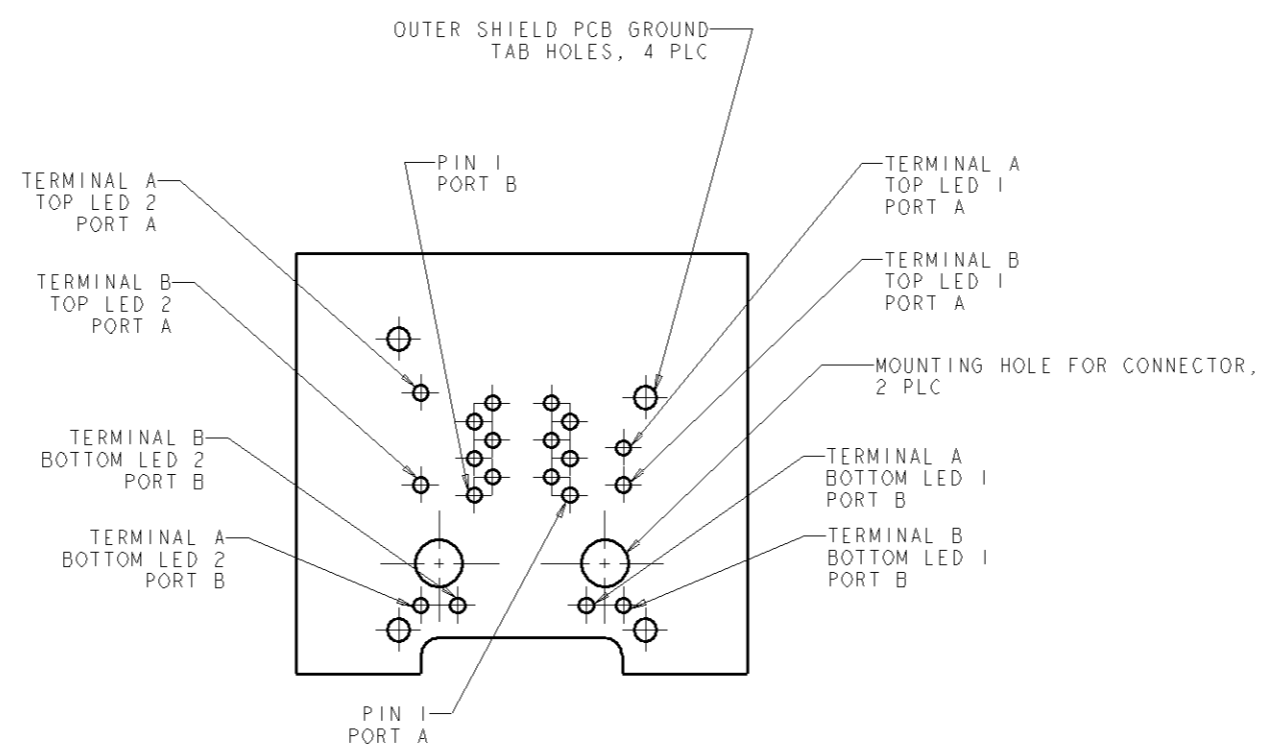
PIN #0 & PIN #10 ON MOD JACK ARE STUB PINS WITH LENGTH SIMILAR TO PCB STANDOFF HEIGHT. PRECAUTIONS SHOULD BE TAKEN IN PCB DESIGN TO GUARD AGAINST SHORTING TRACES TO STUB PINS.



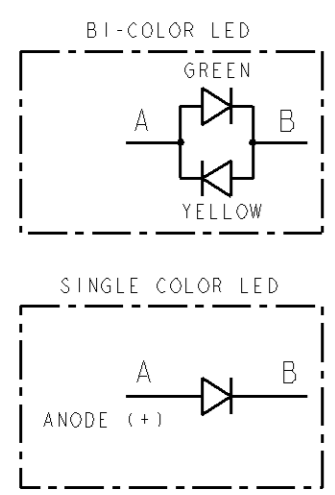
SUGGESTED PANEL CUTOUT DIMENSIONS
SCALE 2:1

DIMENSIONS: mm [INCHES]		TOLERANCES UNLESS SPECIFIED: 0 PLC ±0.25 1 PLC ±0.25 2 PLC ±0.25 3 PLC ±0.25 4 PLC ±0.25 5 PLC ±0.25 6 PLC ±0.25 ANGLE ±0.1°		DWG: C GILLETTE CHK: P D'AMATO APPR: S FICKLINGER DATE: 03JAN2006 NAME: INTEGRATED MAGNETIC STACKED MODULAR JACK, 2X1 W/LEDS, 10/100 ETHERNET, RJ45, WAVE PANEL GROUND SHIELD		Tyco Electronics ChangPing, DG, China	
MATERIAL:		FINISH:		WEIGHT:		SIZE: A 00779 C=6368457	
CUSTOMER DRAWING		SCALE: NTS		SHEET: 2 OF 3		REV: B	

LOC	QTY	REVISIONS			
AA	00	REV	DATE	BY	APP'D
		1			
		2			
		3			
		4			
		5			
		6			
		7			
		8			
		9			
		10			



LED HOLE DESIGNATIONS VIEWED FROM COMPONENT SIDE
 SCALE 4:1



DIMENSIONS: mm [INCHES]		TOLERANCES UNLESS OTHERWISE SPECIFIED:		DWG: C GILLETTE 30DEC2005		Tyco Electronics Tyco Electronics ChongPing, DG, China	
0 PLC	±0.25	0.154	±0.005	CHK: P D'AMATO 03JAN2006	NAME: INTEGRATED MAGNETIC STACKED MODULAR JACK, 2X1 W/LEDS, 10/100 ETHERNET, RJ45, WAVE PANEL GROUND SHIELD		
1 PLC	±0.25	0.254	±0.005	APP'D: S FLICKINGER 03JAN2006	PRODUCT SPEC: 108-2100		
2 PLC	±0.25	0.381	±0.005	APPLICATION SPEC: -			
3 PLC	±0.25	0.508	±0.005	SIZE: CAGE CODE: DRAWING NO: A 00779 ©=6368457			
4 PLC	±0.25	0.635	±0.005	MATERIAL: - FINISH: - WEIGHT: - RESTRICTED TO: -			
MATERIAL: - FINISH: - WEIGHT: -				CUSTOMER DRAWING SCALE: NTS SHEET 3 OF 3 REV: B			

X-ON Electronics

Largest Supplier of Electrical and Electronic Components

Click to view similar products for [Modular Connectors / Ethernet Connectors](#) category:

Click to view products by [Bel Fuse](#) manufacturer:

Other Similar products are found below :

[8949-H88/06BLKA/SN](#) [74441-0010/BKN](#) [MP1010RX-1000](#) [MP44RX-1000](#) [PHJ-4P4C-1-V-4](#) [PHP-6P6C-5](#) [GAX-3-66](#) [GAX-8-62](#) [GDCX-PA-66-50](#) [GDCX-PN-64](#) [GDCX-PN-66](#) [GDCX-PN-66-50](#) [GDLX-A-66](#) [GDLX-N-66](#) [GDLX-S-66](#) [GDLX-S-88K](#) [GDLX-SMT-S-88](#) [GDTX-S-88-50](#) [GDX-PA-1010](#) [GLX-N-1010M-BLK](#) [GLX-S-88M-BLK](#) [GMX-N-1010](#) [GMX-S-1010](#) [GMX-S-66](#) [GMX-SMT4-N-88](#) [GPX-2-64](#) [GSGX-N-2-88](#) [GSGX-N-4-88](#) [GSX-NS2-88-3.05](#) [GSX-NS2-88-3.05-50](#) [GSX-NS-88-3.05-50](#) [PT-108A-8C-UL](#) [PT-J951-8C](#) [PTS-J531-8CS-50UL](#) [1-1775629-2](#) [A-2014-0-4](#) [GWLX-S-88-GR](#) [GWLX-S9-88-YG](#) [DC-1021-8-WH-6](#) [1300530003](#) [1324640-4](#) [RJ11FTVC2G](#) [RJ11FTVC2N](#) [RJFTVX2SA1G](#) [132764-001](#) [1413235](#) [MP88X-1000](#) [MPS88RX-5000](#) [E5288-S000K3-L](#) [E5908-15A242-L](#)