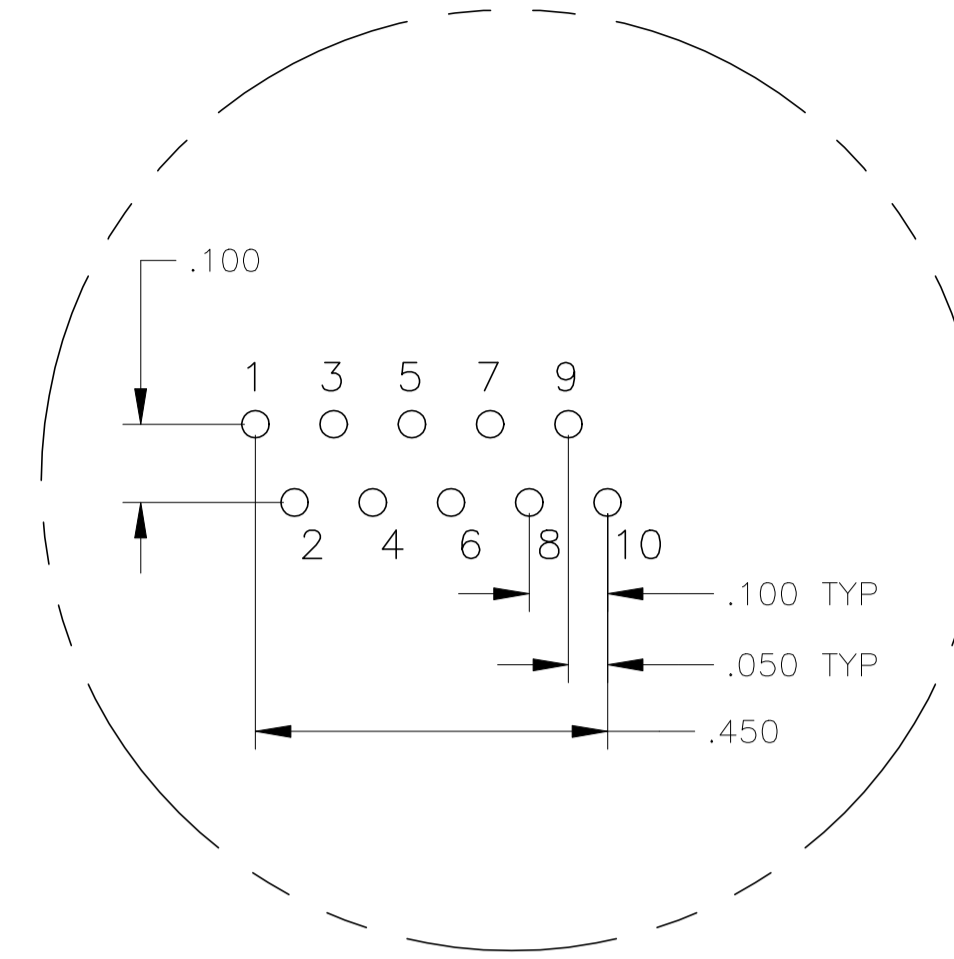
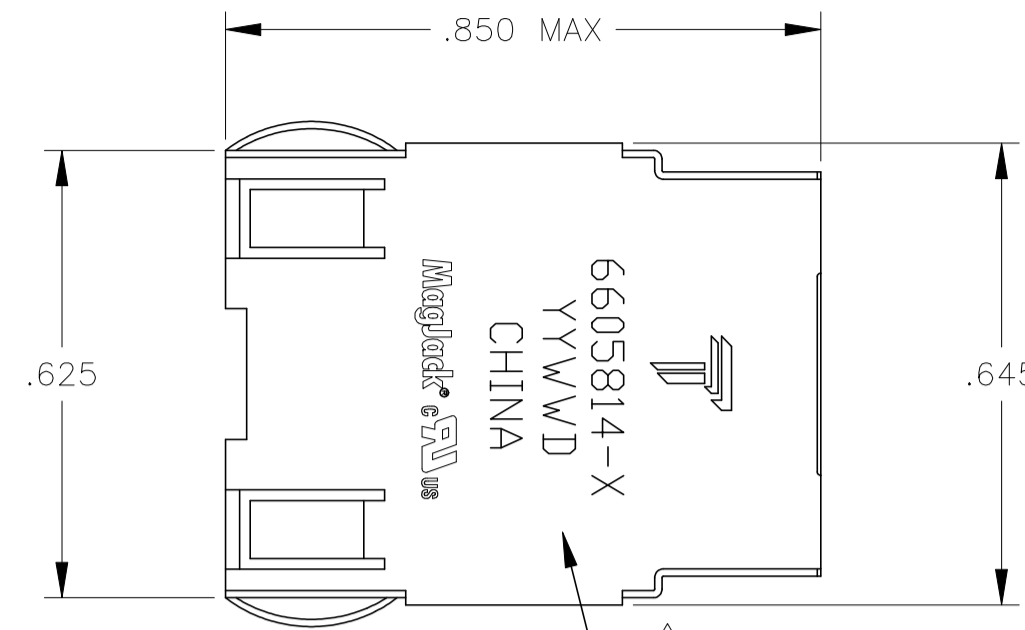


THIS DRAWING AND THE SUBJECT MATTER SHOWN THEREON ARE CONFIDENTIAL AND THE PROPERTY OF BEL/STEWART/TRP CONNECTOR AND SHALL NOT BE REPRODUCED, COPIED, OR USED IN ANY MANNER WITHOUT THE WRITTEN CONSENT OF TRP CONNECTOR.

PRODUCT MAY BE PROTECTED BY ONE OR MORE OF THE FOLLOWING US PATENTS:
 5736910 5939955 6425781 6428361 6554638 6840817 7123117
 7429195 7717749 7808751 6217391 6149050 7924130

REVISIONS					
P	LYR	DESCRIPTION	DATE	DWN	APVD
K		EC-1411035 COMPANY LOGO CHANGE	08JAN2015	HY	KZ

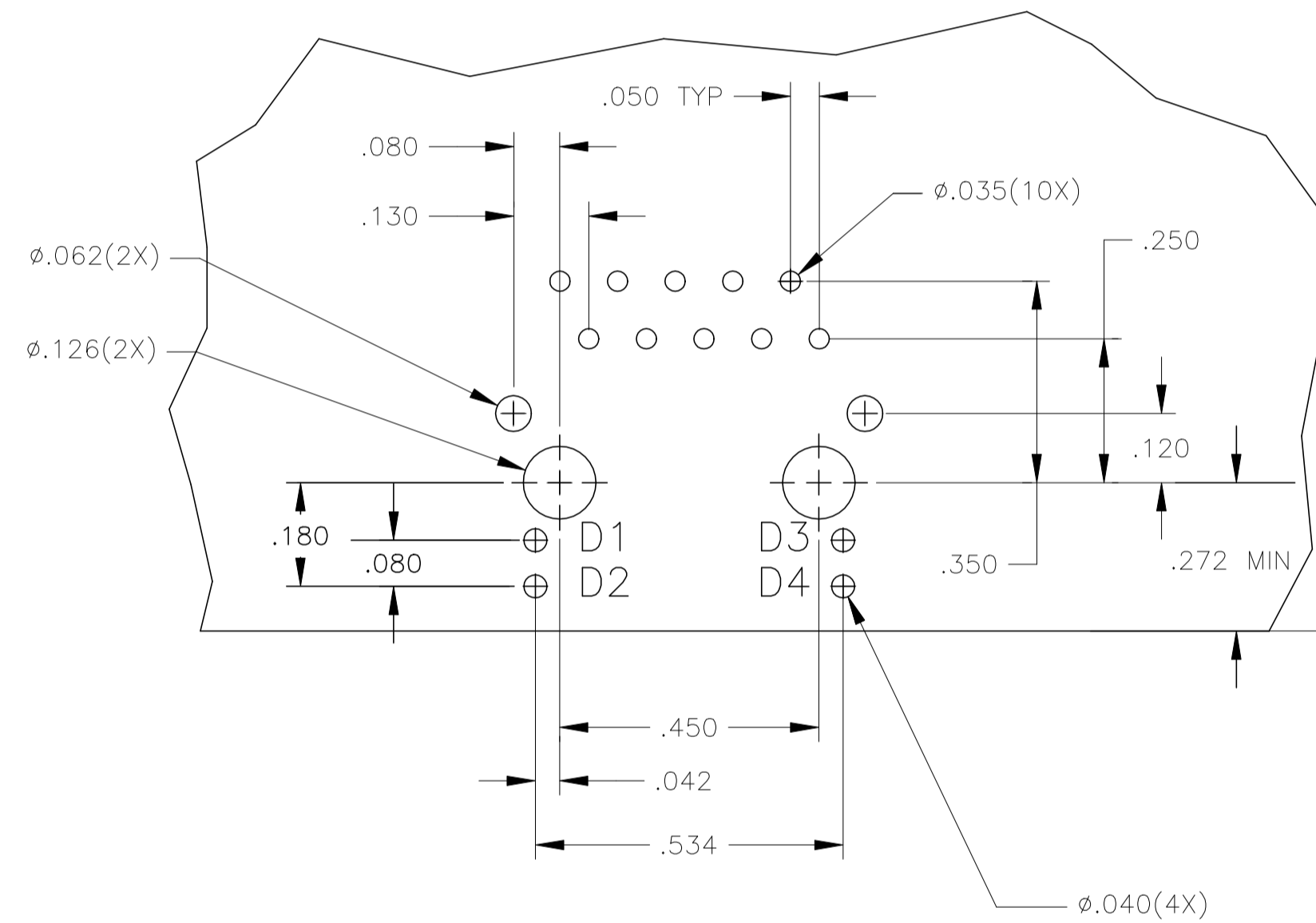
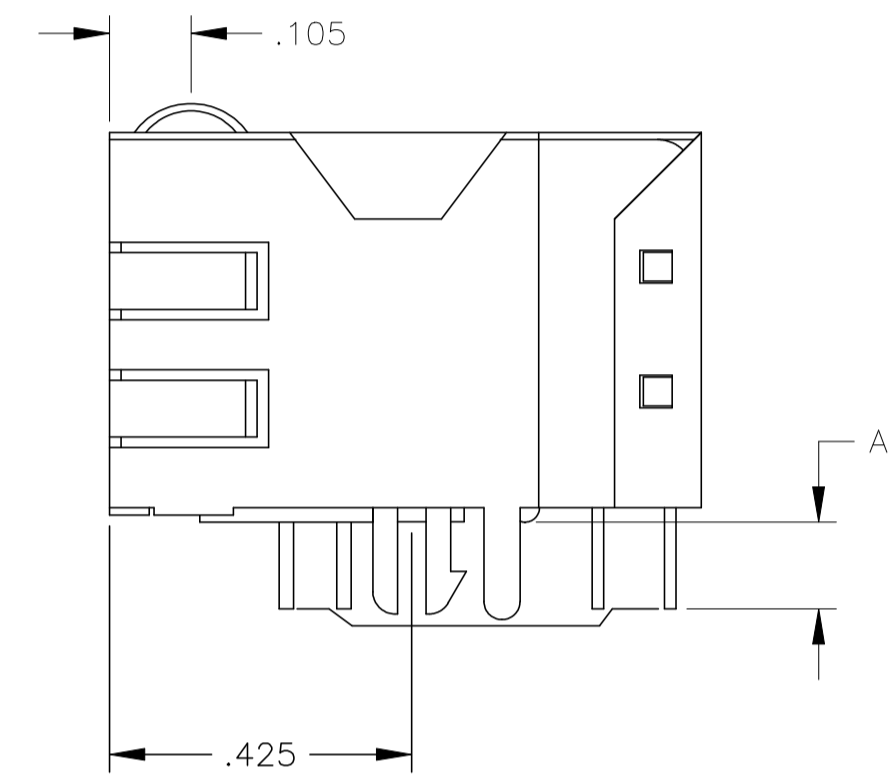
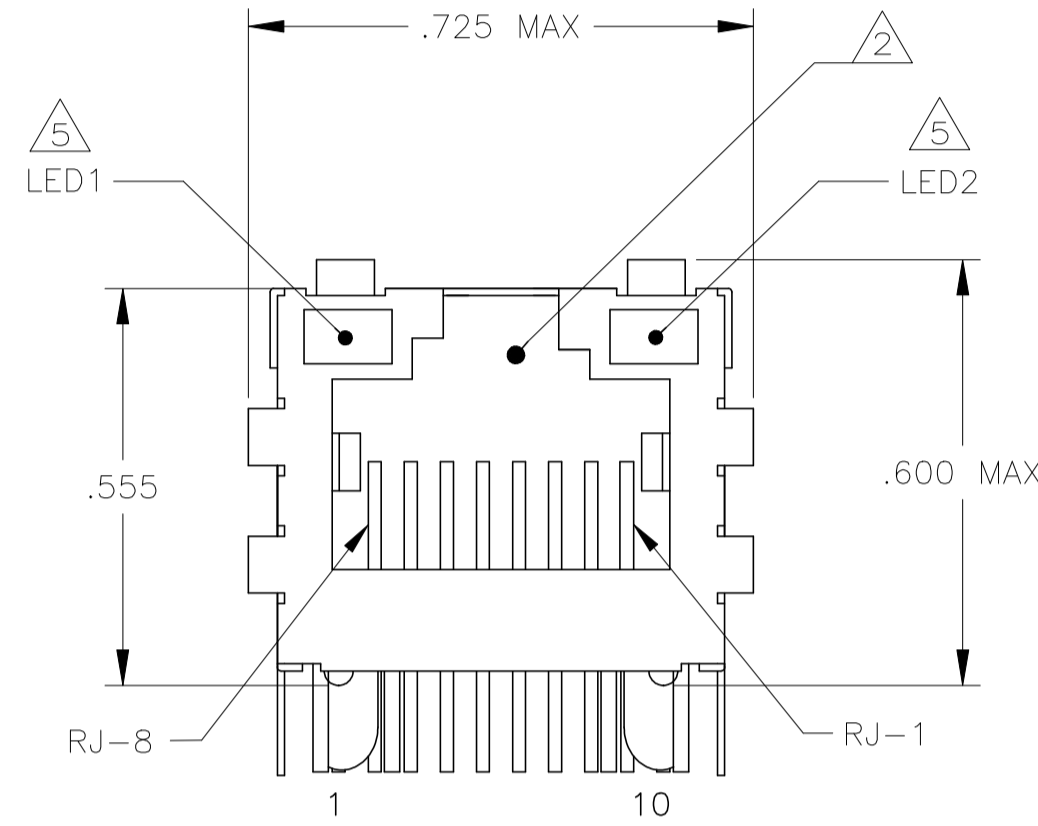
MECHANICAL:



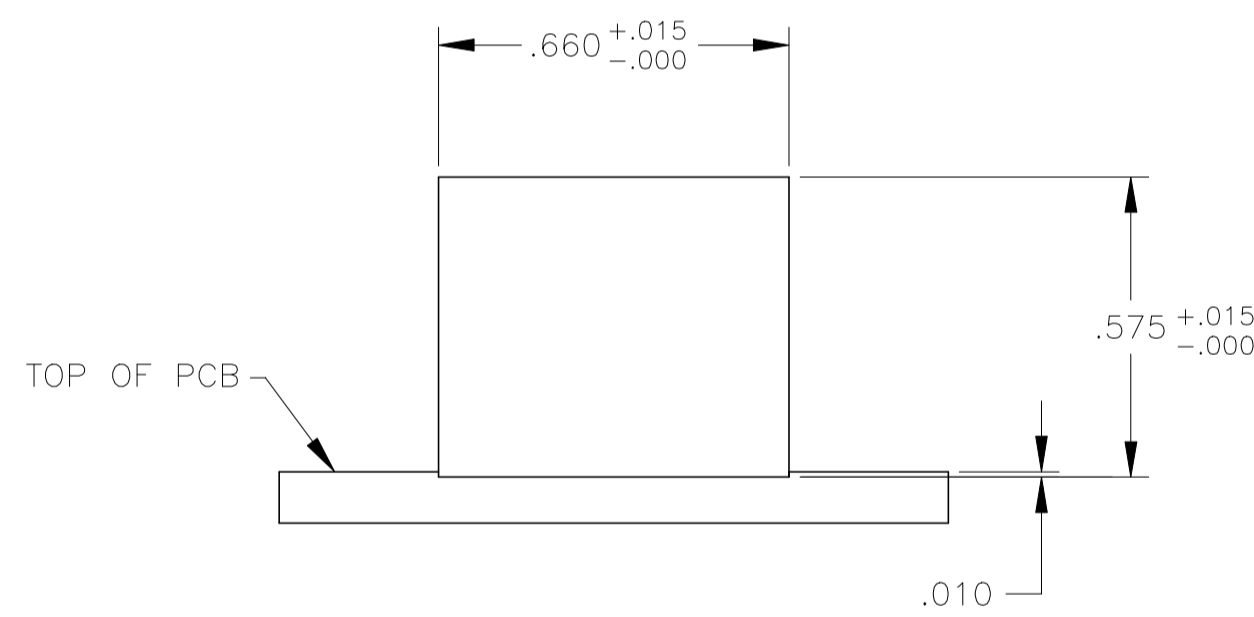
Pin Designations

- ⚠️ **MATERIALS:**
 HOUSING - THERMOPLASTIC PET POLYESTER FLAMMABILITY RATING UL 94V-0.
 SHIELD - .010" THICK, C26800 BRASS PREPLATED WITH 30μm MIN SEMI-BRIGHT NICKEL;
 SOLDER TABS POST-DIPPED WITH 100μm MIN SAC SOLDER.
 MOD JACK CONTACTS - .0157" x .018" THICK, PHOSPHOR BRONZE, 50μm MIN OVERALL NICKEL UNDERPLATE, WITH SELECT 50μm MIN HARD GOLD FINISH PLATE.
 SOLDER TAILS WITH 100μm MIN MATTE TIN AND/OR SAC SOLDER DIP.
 LIGHT EMITTING DIODE(LED) - DIFFUSED EPOXY LENS, .020" x .020" CARBON STEEL WIREFRAME LEADS PREPLATED WITH 80μm SILVER OVER 40μm NICKEL UNDERPLATE OVER 40μm COPPER UNDERPLATE; POST-PLATED WITH 100μm MIN MATTE TIN AND/OR SAC SOLDER DIP OR PURE TIN SOLDER DIP.
- ⚠️ RJ45 JACK CAVITY CONFORMS TO FCC RULES AND REGULATIONS PART 68, SUB PART F.
- ⚠️ **MAGNETICS**
 -APPLICATION: 10/100/1000 BASE-T
 -IMPEDANCE: 100 OHMS
 -TURNS RATIO (CHIP:CABLE): 1:1 ALL FOUR PAIRS
 -OPEN CIRCUIT INDUCTANCE (OCL): 350μH MIN @100kHz, 0.1VRMS, 8mADC BIAS FROM 0°C TO 70°C, ALL FOUR PAIRS
 -ALL FOUR PAIRS BI-DIRECTIONAL
 -PERFORMANCE @ 25°C:
 INSERTION LOSS (IL): 1.1dB MAX FROM 0.5MHz TO 100MHz
 RETURN LOSS (RL): 18dB MIN FROM 0.5MHz TO 40MHz
 12-20LOG(f/80)dB MIN FROM 40.1MHz TO 100MHz
 CROSSTALK ATTENUATION: 35dB MIN FROM 0.5MHz TO 40MHz
 33-20LOG(f/50)dB MIN FROM 40.1MHz TO 100MHz
 COMMON MODE REJECTION RATIO (CMRR): 30dB MIN FROM 0.5MHz TO 100MHz
 ISOLATION VOLTAGE: 2250VDC (MAX) FOR 60 SECONDS WITH A RISE TIME OF 500V/SEC.

- ⚠️ THE MAGNETICS ARE SYMMETRICAL, AND SUPPORTS AUTO-MDI/MDIX.
- ⚠️ THE 250 OHM LED RESISTORS ARE OPTIONAL, PLEASE SEE CHART FOR PRESENCE OR ABSENCE OF LED RESISTORS. IF THE LED WITHOUT 250 OHM RESISTORS, LED IS DRIVEN WITH CONSTANT CURRENT AT APPROX 20mA.
 LED COLOR: DOMINANT WAVELENGTH (λ D): GREEN 568 nm TYP. at IF=20mA
 FORWARD VOLTAGE (VF): GREEN 2.2V TYP. at IF=20mA
 DOMINANT WAVELENGTH (λ D): YELLOW 588 nm TYP. at IF=20mA
 FORWARD VOLTAGE (VF): YELLOW 2.1V TYP. at IF=20mA
 DOMINANT WAVELENGTH (λ D): ORANGE 605 nm TYP. at IF=20mA
 FORWARD VOLTAGE (VF): ORANGE 2.1V TYP. at IF=20mA
- IF THE LED WITH 250 OHM RESISTORS, LED IS DRIVEN WITH 5V VOLTAGE AND THE MAX OPERATING CURRENT IS 20mA.
 LED COLOR: DOMINANT WAVELENGTH (λ D): GREEN 568 nm TYP. At VF=5V
 FORWARD CURRENT (IF): GREEN 12 mA TYP. at VF=5V
 DOMINANT WAVELENGTH (λ D): YELLOW 588 nm TYP. At VF=5V
 FORWARD CURRENT (IF): YELLOW 13 mA TYP. at VF=5V
- ⚠️ TRP CONNECTOR LOGO, PART NUMBER, DATE CODE, COUNTRY OF ORIGIN AND AGENCY APPROVAL MARKING IN APPROXIMATE LOCATION SHOWN. DATE CODE: "YY" IS YEAR, "WW" IS WORK WEEK, "D" IS DAY OF WEEK, WITH SUNDAY=1
- 7. THE PART IS RECOMMENDED FOR WAVE SOLDERING PROCESS, PREHEAT TEMPERATURE IS 120°C TO 160°C, 120 SECONDS TO 180 SECONDS, PEAK WAVE SOLDERING TEMPERATURE IS 260°C MAX, 10 SECONDS MAX.

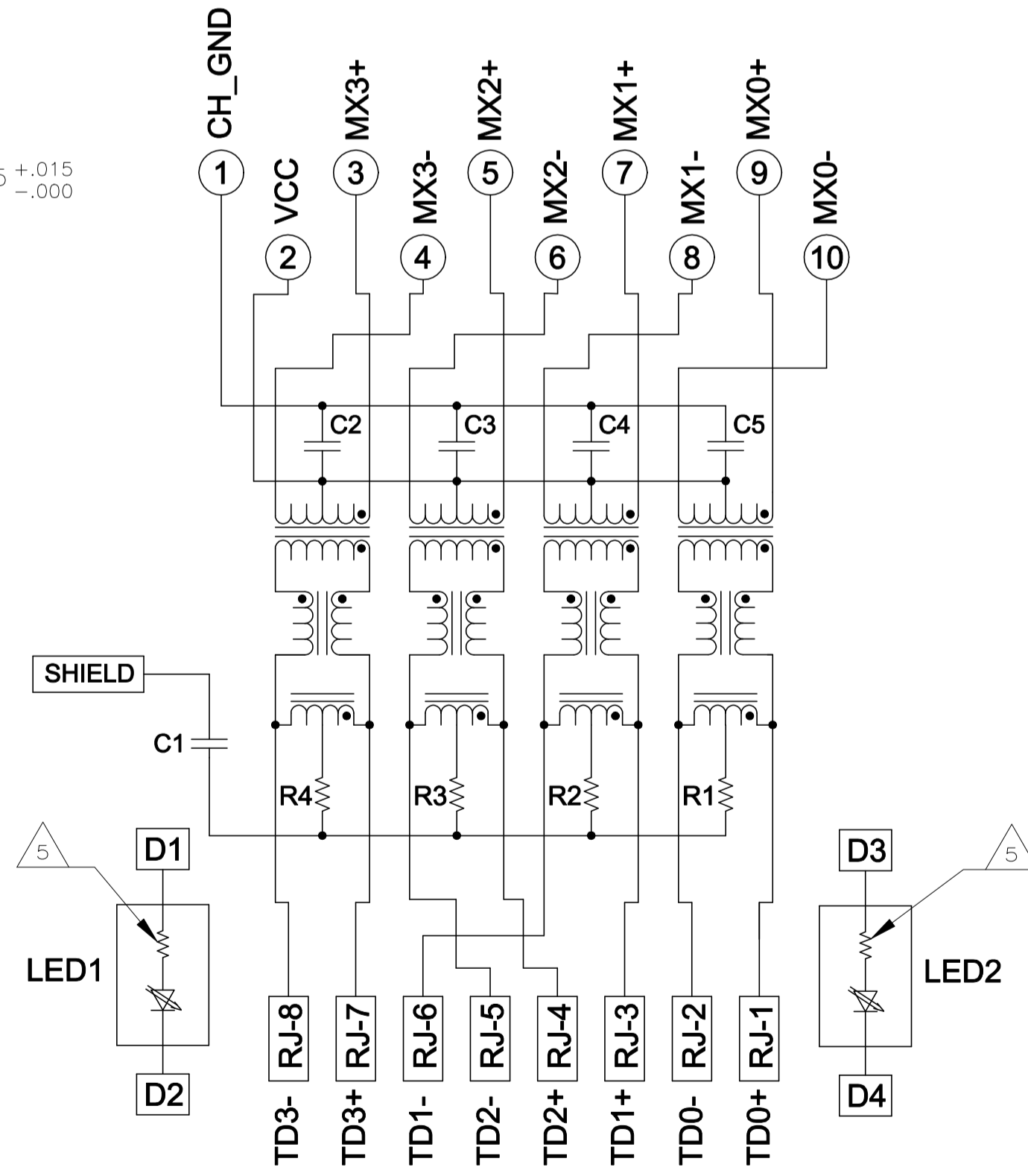


Suggested PCB Layout (Component Side)

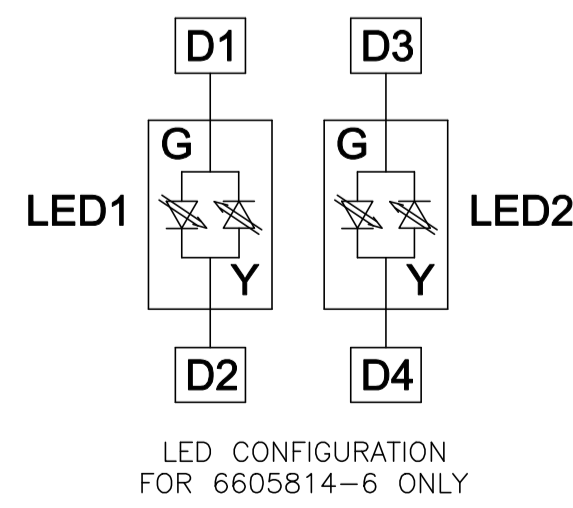


Suggested Panel Cutout

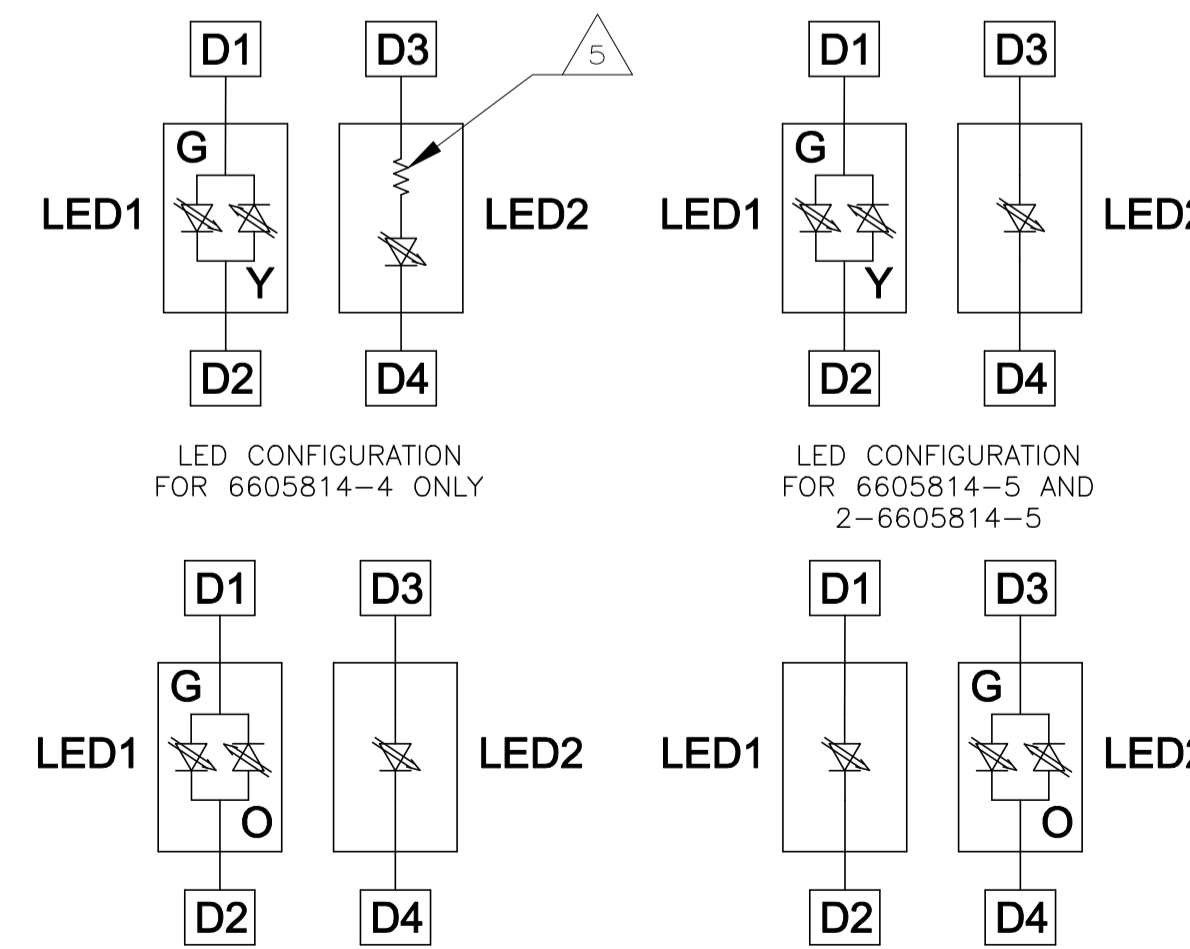
7G05 SERIES GIGABIT CIRCUIT



- C1=1000 pF, 2kV CAPACITOR**
- R1-R4 = 75 OHMS, 1/16 W RESISTORS**
- C2-C5 = 0.1 uF, 50V, X7R CAPACITORS**



LED CONFIGURATION FOR 6605814-6 ONLY



LED CONFIGURATION FOR 6605814-4 ONLY

LED CONFIGURATION FOR 6605814-5 AND 2-6605814-5

LED CONFIGURATION FOR 1-6605814-3 ONLY

LED CONFIGURATION FOR 1-6605814-5 AND 1-6605814-8

OBsolete	Dimensions	Color	Resistor	LED	Part Number
OBsolete	.100±.010	GREEN/YELLOW	NO	GREEN	2-6605814-5
OBsolete	.145±.010	GREEN	NO	GREEN/ORANGE	1-6605814-8
OBsolete	.145±.010	YELLOW	NO	GREEN/ORANGE	1-6605814-5
	.145±.010	GREEN/ORANGE	NO	YELLOW	1-6605814-3
	.145±.010	GREEN	YES	GREEN	1-6605814-1
	.145±.010	GREEN	NO	YELLOW	6605814-8
	.145±.010	GREEN/YELLOW	NO	GREEN/YELLOW	6605814-6
	.145±.010	GREEN/YELLOW	NO	GREEN	6605814-5
OBsolete	.145±.010	GREEN/YELLOW	NO	GREEN	6605814-4
OBsolete	.145±.010	YELLOW	YES	GREEN	6605814-2
OBsolete	.145±.010	GREEN	YES	YELLOW	6605814-1

THIS DRAWING IS A CONTROLLED DOCUMENT.		DWN: CLOUD,ZENG 29MAY2006		CHK: MICHAEL,ZHANG 29MAY2006		APVD: TEDDY,XIONG 29MAY2006		TRP CONNECTOR		DONGGUAN CHINA	
DIMENSIONS: INCHES		TOLERANCES UNLESS OTHERWISE SPECIFIED:		MODEL NAME		DESC		SIZE		RESTRICTED TO	
0 PLC ± .010		1 PLC ± .010		MAGJACK SINGLE		1X1 7G05 GIGABIT TAB UP W/ LED		A1		NON-POE	
2 PLC ± .010		3 PLC ± .005		NON-POE		CAGE CODE		DRAWING NO		C=6605814	
4 PLC ± .005		ANGLES ± .005		CUSTOMER DRAWING		SCALE		SHEET		REV	
108-2100						NTS		1 OF 1		K	

X-ON Electronics

Largest Supplier of Electrical and Electronic Components

Click to view similar products for [Modular Connectors / Ethernet Connectors](#) category:

Click to view products by [Bel Fuse](#) manufacturer:

Other Similar products are found below :

[8949-H88/06BLKA/SN](#) [74441-0010/BKN](#) [MP1010RX-1000](#) [MP44RX-1000](#) [PHJ-4P4C-1-V-4](#) [PHP-6P6C-5](#) [GAX-3-66](#) [GAX-8-62](#) [GDCX-PA-66-50](#) [GDCX-PN-64](#) [GDCX-PN-66](#) [GDCX-PN-66-50](#) [GDLX-A-66](#) [GDLX-N-66](#) [GDLX-S-66](#) [GDLX-S-88K](#) [GDLX-SMT-S-88](#) [GDTX-S-88-50](#) [GDX-PA-1010](#) [GLX-N-1010M-BLK](#) [GLX-S-88M-BLK](#) [GMX-N-1010](#) [GMX-S-1010](#) [GMX-S-66](#) [GMX-SMT4-N-88](#) [GPX-2-64](#) [GSGX-N-2-88](#) [GSGX-N-4-88](#) [GSX-NS2-88-3.05](#) [GSX-NS2-88-3.05-50](#) [GSX-NS-88-3.05-50](#) [PT-108A-8C-UL](#) [PT-J951-8C](#) [PTS-J531-8CS-50UL](#) [1-1775629-2](#) [A-2014-0-4](#) [GWLX-S-88-GR](#) [GWLX-S9-88-YG](#) [DC-1021-8-WH-6](#) [1300530003](#) [1324640-4](#) [RJ11FTVC2G](#) [RJ11FTVC2N](#) [RJFTVX2SA1G](#) [132764-001](#) [1413235](#) [MP88X-1000](#) [MPS88RX-5000](#) [E5288-S000K3-L](#) [E5908-15A242-L](#)