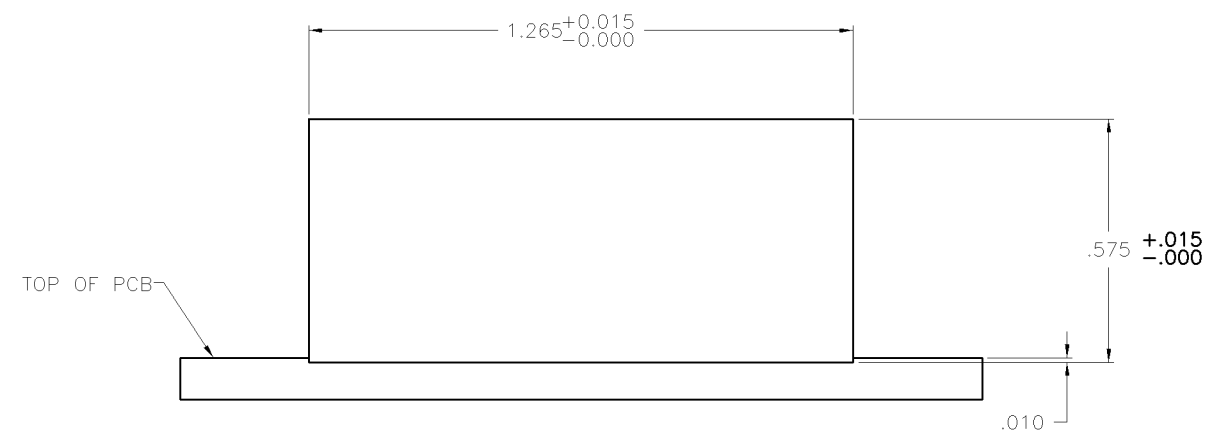
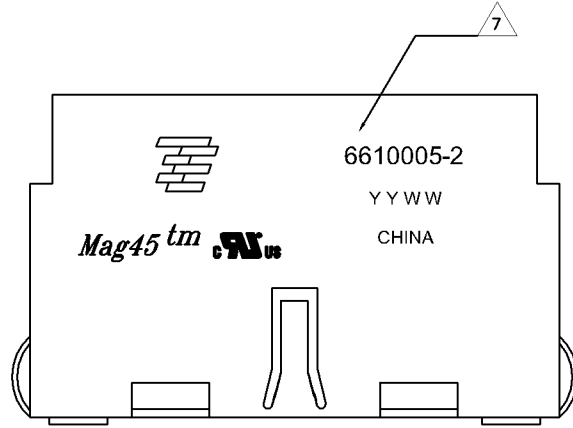


THIS DRAWING IS UNPUBLISHED. RELEASED FOR PUBLICATION
 BY TYCO ELECTRONICS CORPORATION. ALL RIGHTS RESERVED.

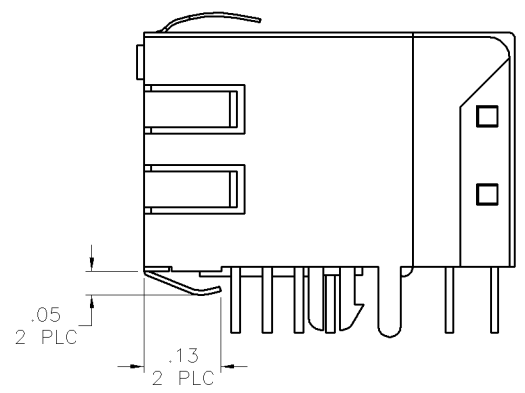
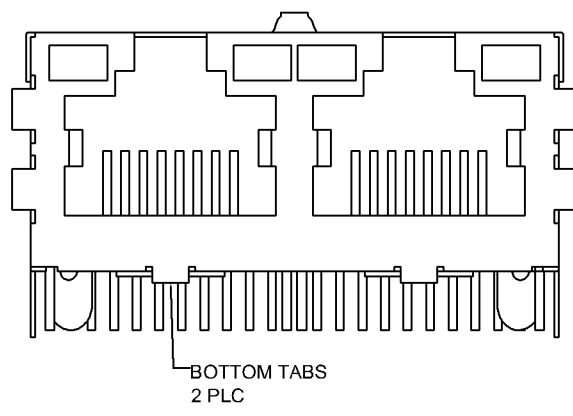
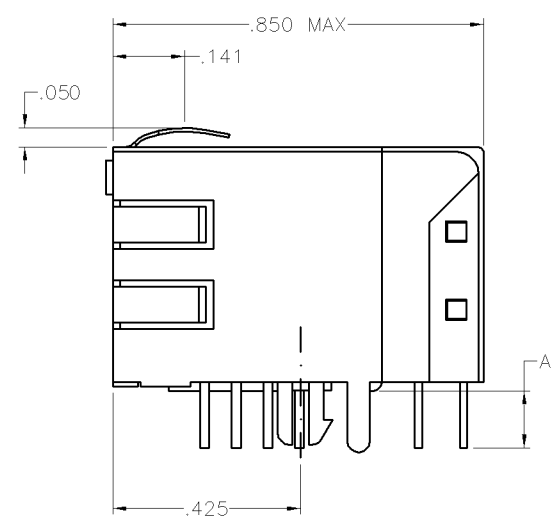
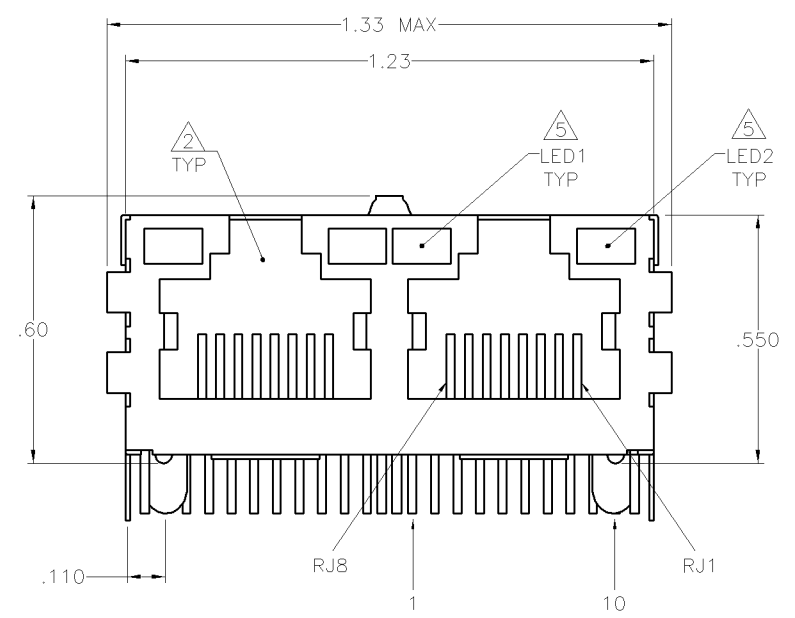
LOC		DWT		REVISIONS			
#	LTN	DESCRIPTION	DATE	ENR	APR		
G	REV PER	ECO-09-004705	18FEB2009	VL	LR		

MECHANICAL:



1X2 SUGGESTED PANEL CUTOUT

- △ MATERIALS:
 HOUSING - THERMOPLASTIC PET POLYESTER FLAMMABILITY RATING UL 94V-0.
 SHIELD - .010" THICK, C26800 BRASS PREPLATED WITH 30µinch MIN SEMI-BRIGHT NICKEL; SOLDER TAB POSTS DIPPED WITH 100µinch MIN SAC SOLDER.
 MOD JACK CONTACTS - .0157" x .018", PHOSPHOR BRONZE, 50µinch MIN OVERALL NICKEL UNDERPLATE, WITH SELECT 50µinch MIN HARD GOLD FINISH PLATE. SOLDER TAILS WITH 100µinch MIN MATTE TIN AND/OR SAC SOLDER DIP.
 LIGHT EMITTING DIODE(LED) - DIFFUSED EPOXY LENS, .020" x .020" CARBON STEEL WIREFRAME LEADS PREPLATED WITH 80µinch SILVER OVER 40µinch NICKEL UNDERPLATE OVER 40µinch COPPER UNDERPLATE; POST-PLATED WITH 100µinch MIN MATTE TIN AND/OR SAC SOLDER DIP OR PURE TIN SOLDER DIP.
- △ RJ45 JACK CAVITY CONFORMS TO FCC RULES AND REGULATIONS PART 68, SUB PART F.
- △ MAGNETICS:
 -APPLICATION: 10/100/1000 BASE-T
 -IMPEDANCE: 100 OHMS
 -TURNS RATIO (CHIP:CABLE): 1:1 ALL FOUR PAIRS
 -OPEN CIRCUIT INDUCTANCE (OCL): 350µH MIN @100kHz, 0.1VRMS, 8mADC BIAS FROM 0°C TO 70°C, ALL FOUR PAIRS
 -ALL FOUR PAIRS BI-DIRECTIONAL
 -PERFORMANCE @ 25°C:
 INSERTION LOSS (IL): 1.1dB MAX FROM 0.5MHz TO 100MHz
 RETURN LOSS (RL): 18dB MIN FROM 0.5MHz TO 4.0MHz
 12-20LOG(f/80)dB MIN FROM 4.0MHz TO 100MHz
 CROSSTALK ATTENUATION: 35dB MIN FROM 0.5MHz TO 4.0MHz
 33-20LOG(f/50)dB MIN FROM 4.0MHz TO 100MHz
 COMMON MODE REJECTION RATIO(CMRR): 30dBMIN FROM 0.5MHz TO 100MHz
 -ISOLATION VOLTAGE: THE CONNECTOR SHALL PROVIDE DC ISOLATION USING 2250VDC (MAX) FOR 60 SECONDS WITH A RISE TIME OF 500 V/SEC AND WITH ALL PORTS CONNECTED.
- △ ALL DIMENSIONS NOMINAL UNLESS OTHERWISE NOTED.
- △ THE 250 OHM RESISTOR IS OPTIONAL, PLEASE SEE CHART FOR PRESENCE OR ABSENCE OF LED RESISTORS.
 IF LEDS WITHOUT 250 OHM RESISTOR, LEDS ARE DRIVEN WITH CONSTANT CURRENT AT APPROX 20 mA
 LED COLOR: DOMINANT WAVELENGTH (λ D): GREEN 568 nm TYP @ IF=20 mA
 FORWARD VOLTAGE (VF): GREEN 2.2V TYP @ IF=20 mA
 DOMINANT WAVELENGTH (λ D): YELLOW 588 nm TYP @ IF=20 mA
 FORWARD VOLTAGE (VF): YELLOW 2.1V TYP @ IF=20 mA
 IF LEDS WITH BUILT-IN RESISTOR, LEDS ARE DRIVEN WITH 5V VOLTAGE AND THE MAX OPERATING CURRENT IS 20mA.
 LED COLOR: DOMINANT WAVELENGTH (λ D): GREEN 568 nm TYP @ VF=5V
 FORWARD CURRENT (IF): GREEN 12mA TYP @ VF=5V
 DOMINANT WAVELENGTH (λ D): YELLOW 588 nm TYP @ VF=5V
 FORWARD CURRENT (IF): YELLOW 13mA TYP @ VF=5V
- △ INDICATED MAGNETIC CONNECTIONS ARE SYMMETRICAL TO ACCOMODATE CONNECTIONS FOR EITHER NIC OR HUB CONFIGURATION, OR SUPPORT AUTO-MDI/MDIX.
- △ TYCO ELECTRONICS LOGO, PART NUMBER, DATE CODE, COUNTRY OF ORIGIN AND AGENCY APPROVAL MARKING IN APPROXIMATE LOCATION SHOWN.
- 8. THESE PARTS ARE RECOMMENDED FOR WAVE SOLDERING PROCESS. PREHEAT TEMPERATURE IS 120°C TO 160°C, 120 SECONDS TO 180 SECONDS, PEAK WAVE SOLDERING TEMPERATURE IS 260°C MAX, 10 SECONDS MAX.
- 9. OPERATING TEMPERATURE: FROM 0°C TO +70°C.



FOR 5-6610005-6 & 2-6610005-2

DIM A	BOTTOM TABS	LED1	LED1 250 OHM RESISTORS	LED2	LED2 250 OHM RESISTORS	PART NUMBER
.145±.010	YES	GREEN/YELLOW	NO	GREEN/YELLOW	NO	5-6610005-6
.125±.010	NO	GREEN/YELLOW	NO	GREEN	NO	2-6610005-5
.125±.010	NO	GREEN/YELLOW	NO	GREEN	YES	2-6610005-4
.145±.010	YES	YELLOW	YES	GREEN	YES	2-6610005-2
.145±.010	NO	GREEN	YES	GREEN/YELLOW	NO	1-6610005-5
.145±.010	NO	GREEN	YES	GREEN	YES	1-6610005-1
.145±.010	NO	GREEN/YELLOW	NO	GREEN/YELLOW	NO	6610005-6
.145±.010	NO	GREEN/YELLOW	NO	GREEN	YES	6610005-4
.145±.010	NO	YELLOW	YES	GREEN	YES	6610005-2

THIS DRAWING IS A CONTROLLED DOCUMENT.

DR: R.GRZYBOWSKI 13JAN05
 CK: D.FAROLE 13JAN05

Tyco Electronics Corporation
 Tyco Electronics ChangPing, China

NAME: D.FAROLE 13JAN05
 PRODUCT SPEC: 108-2100
 APPLICATION SPEC: 1X2 MAG45(TM) MODULAR JACK, 7G4 SCHEMATIC (10 PIN HORIZONTAL), 05 SERIES GIGABIT CIRCUIT, SHIELDED, WITH LEDS

MATERIAL: -
 FINISH: -

WEIGHT: -
 SCALE: 4:1

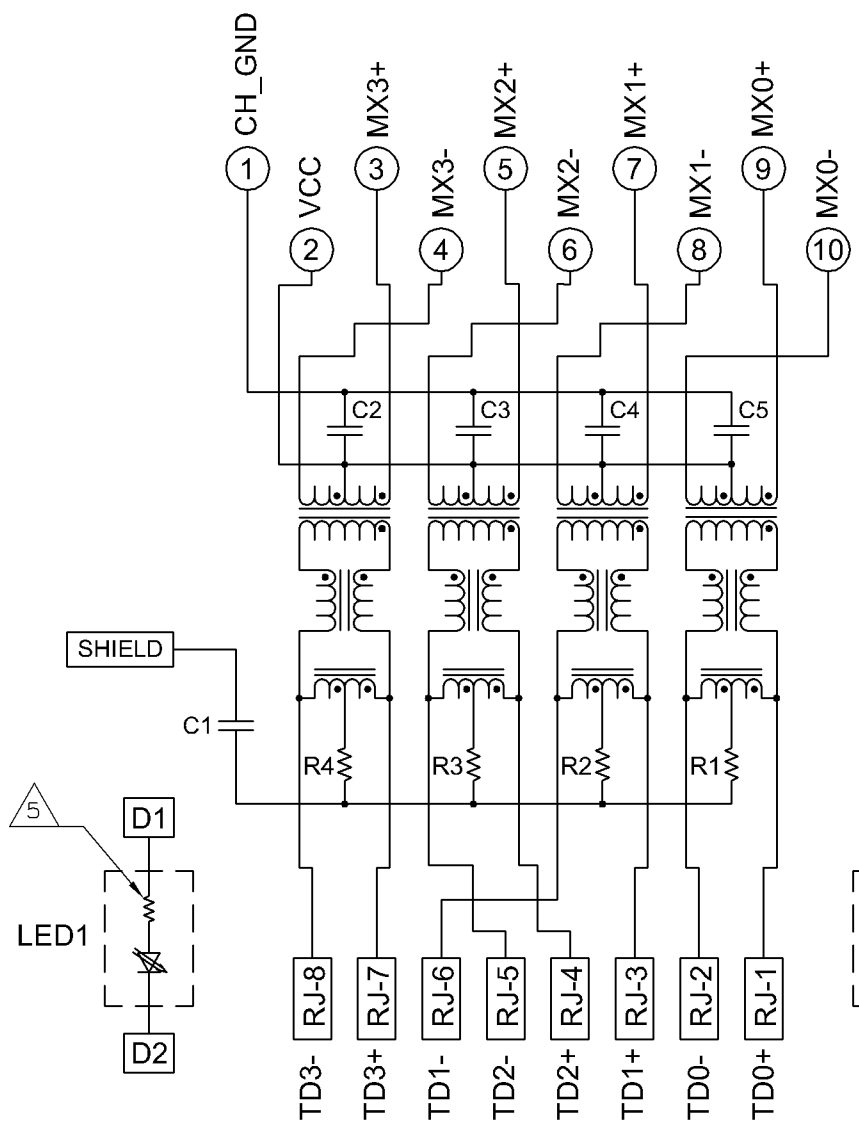
SIZE: A1
 DATE CODE: 00779
 DRAWING NO: C=6610005

CUSTOMER DRAWING

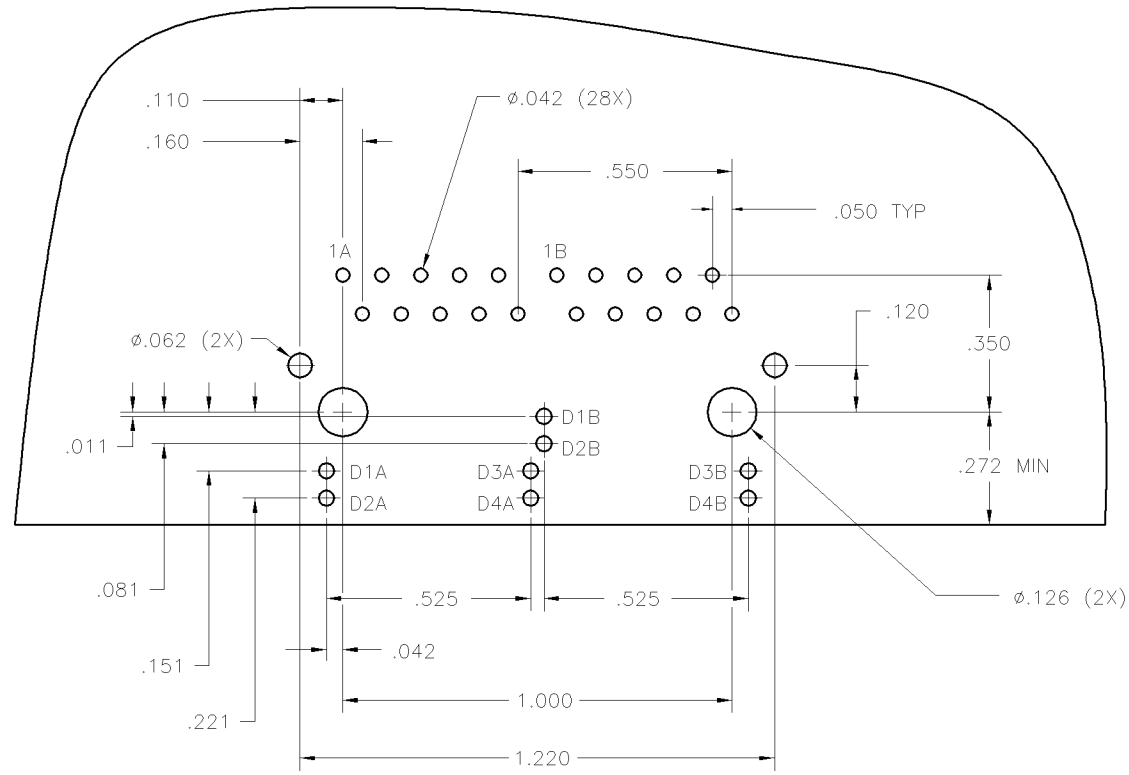
RESTRICTED TO: -
 SHEET 1 OF 2
 REV G

LOC		REV		REVISIONS			
AA	22	NO.	DATE	DESCRIPTION	DATE	BY	APP'D
				SEE SHEET 1			

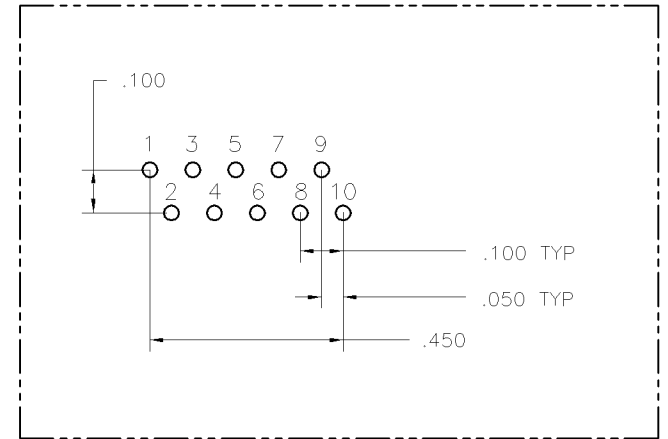
7G05 GIGABIT SCHEMATIC 3 6



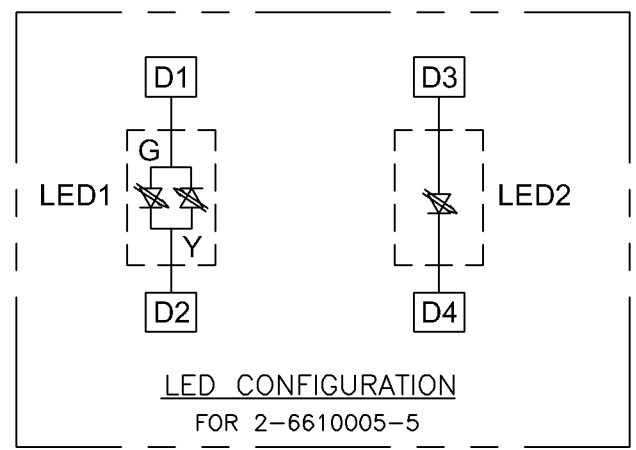
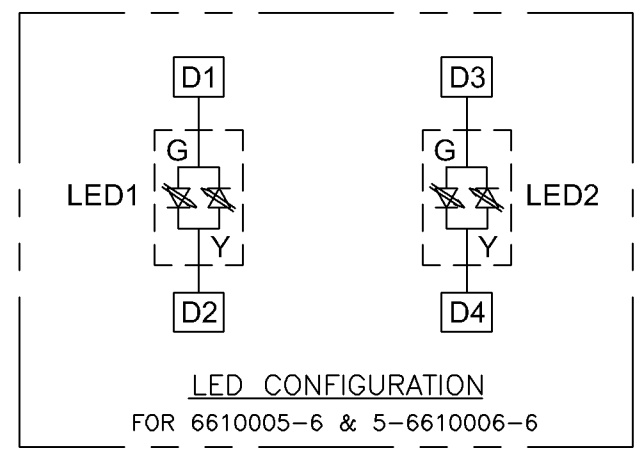
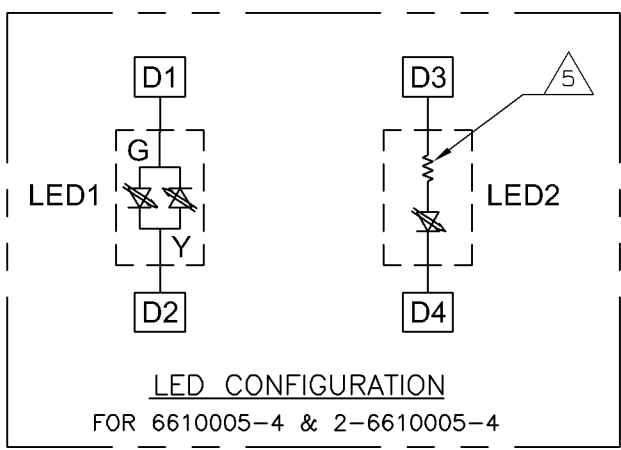
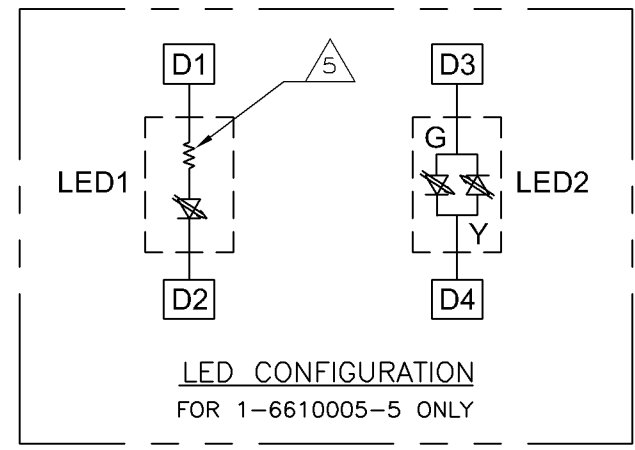
C1 = 1000 pF, 2kV DECOUPLING CAPACITOR
 R1-R4 = 75 OHMS, 1/16 W, 5% RESISTORS
 C2-C5 = 0.1uF, 10%, 50V, X7R CAPACITORS



SUGGESTED PCB LAYOUT (Component Side)



PIN DESIGNATIONS (APPLIES TO ALL PORTS)



THIS DRAWING IS A CONTROLLED DOCUMENT.		DRN R.GRZYBOWSKI 13JAN05	Tyco Electronics Corporation Tyco Electronics ChangPing, China	
DIMENSIONS: INCHES		CHK D.FARDLE 13JAN05	NAME D.FARDLE 13JAN05	
TOLERANCES UNLESS OTHERWISE SPECIFIED:		PRODUCT SPEC 108-2100		
0 PLG ± -		APPLICATION SPEC		
1 PLG ± .010		SIZE DATE CODE DRAWING NO		
2 PLG ± .005		A1 00779 C=6610005		
3 PLG ± .005		RESTRICTED TO		
4 PLG ± -		MATERIAL FINISH WEIGHT		
ANGLES ± -		CUSTOMER DRAWING SCALE 4:1 SHEET 2 OF 2 REV G		

X-ON Electronics

Largest Supplier of Electrical and Electronic Components

Click to view similar products for [Modular Connectors / Ethernet Connectors](#) category:

Click to view products by [Bel Fuse](#) manufacturer:

Other Similar products are found below :

[8949-H88/06BLKA/SN](#) [74441-0010/BKN](#) [MP1010RX-1000](#) [MP44RX-1000](#) [PHJ-4P4C-1-V-4](#) [PHP-6P6C-5](#) [GAX-3-66](#) [GAX-8-62](#) [GDCX-PA-66-50](#) [GDCX-PN-64](#) [GDCX-PN-66](#) [GDCX-PN-66-50](#) [GDLX-A-66](#) [GDLX-N-66](#) [GDLX-S-66](#) [GDLX-S-88K](#) [GDLX-SMT-S-88](#) [GDTX-S-88-50](#) [GDX-PA-1010](#) [GLX-N-1010M-BLK](#) [GLX-S-88M-BLK](#) [GMX-N-1010](#) [GMX-S-1010](#) [GMX-S-66](#) [GMX-SMT4-N-88](#) [GPX-2-64](#) [GSGX-N-2-88](#) [GSGX-N-4-88](#) [GSX-NS2-88-3.05](#) [GSX-NS2-88-3.05-50](#) [GSX-NS-88-3.05-50](#) [PT-108A-8C-UL](#) [PT-J951-8C](#) [PTS-J531-8CS-50UL](#) [1-1775629-2](#) [A-2014-0-4](#) [GWLX-S-88-GR](#) [GWLX-S9-88-YG](#) [DC-1021-8-WH-6](#) [1300530003](#) [1324640-4](#) [RJ11FTVC2G](#) [RJ11FTVC2N](#) [RJFTVX2SA1G](#) [132764-001](#) [1413235](#) [MP88X-1000](#) [MPS88RX-5000](#) [E5288-S000K3-L](#) [E5908-15A242-L](#)