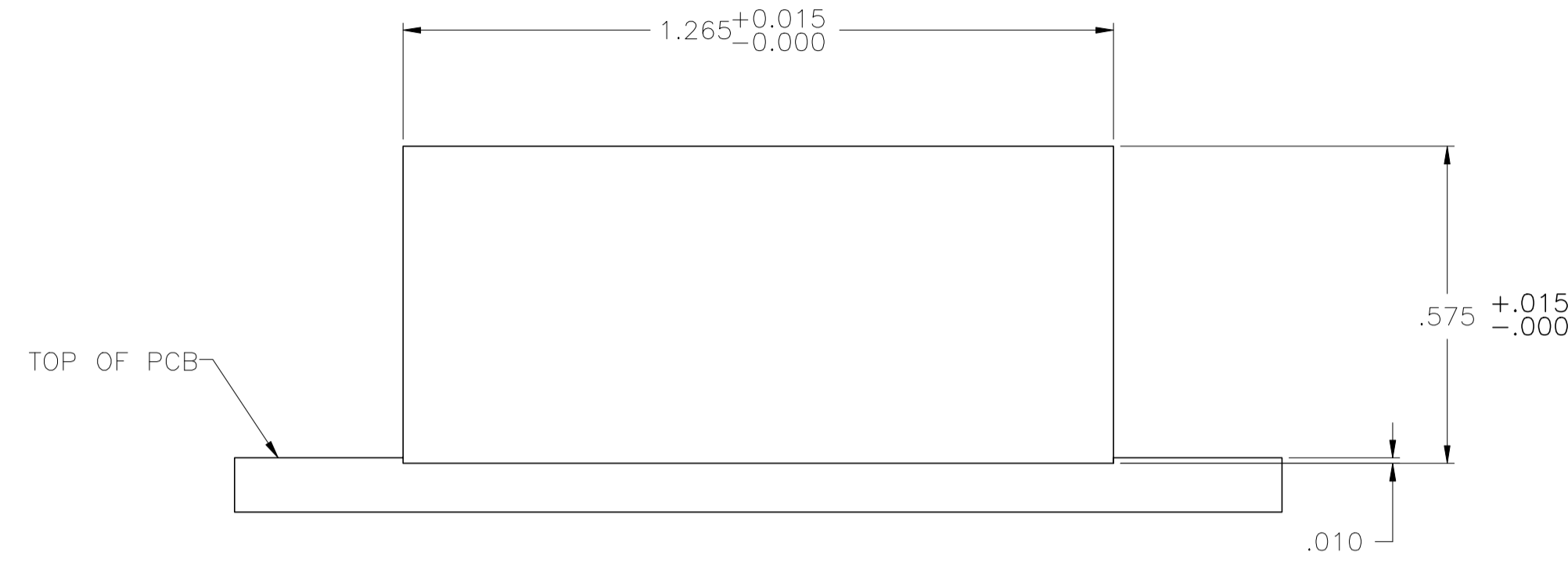
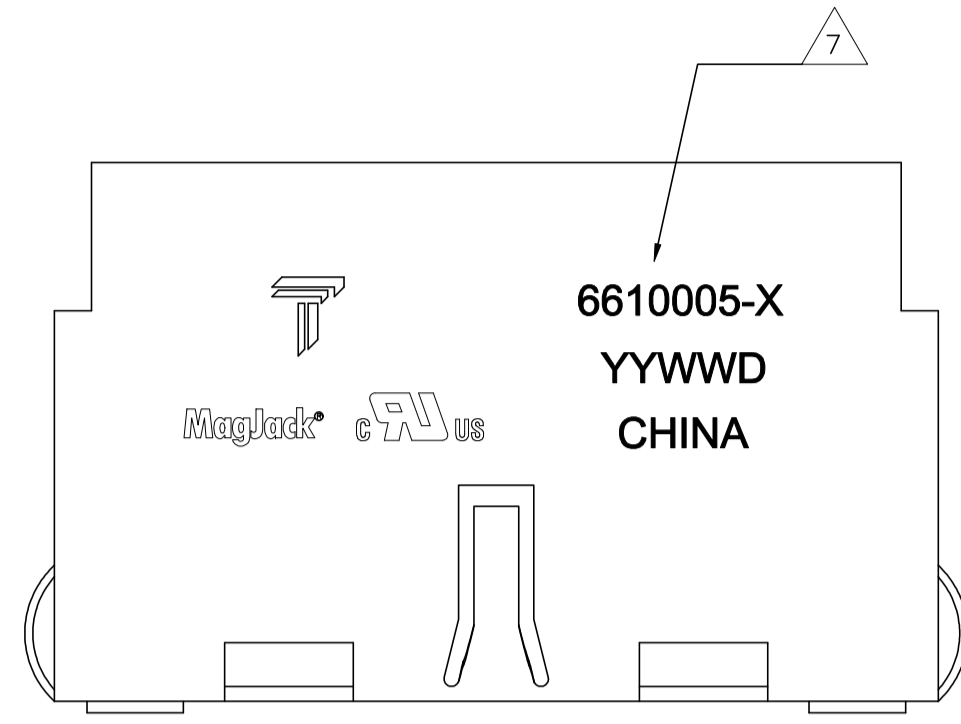


THIS DRAWING AND THE SUBJECT MATTER SHOWN THEREON ARE CONFIDENTIAL AND THE PROPERTY OF BEL/STEWART/TRP CONNECTOR AND SHALL NOT BE REPRODUCED, COPIED, OR USED IN ANY MANNER WITHOUT THE WRITTEN CONSENT OF TRP CONNECTOR.

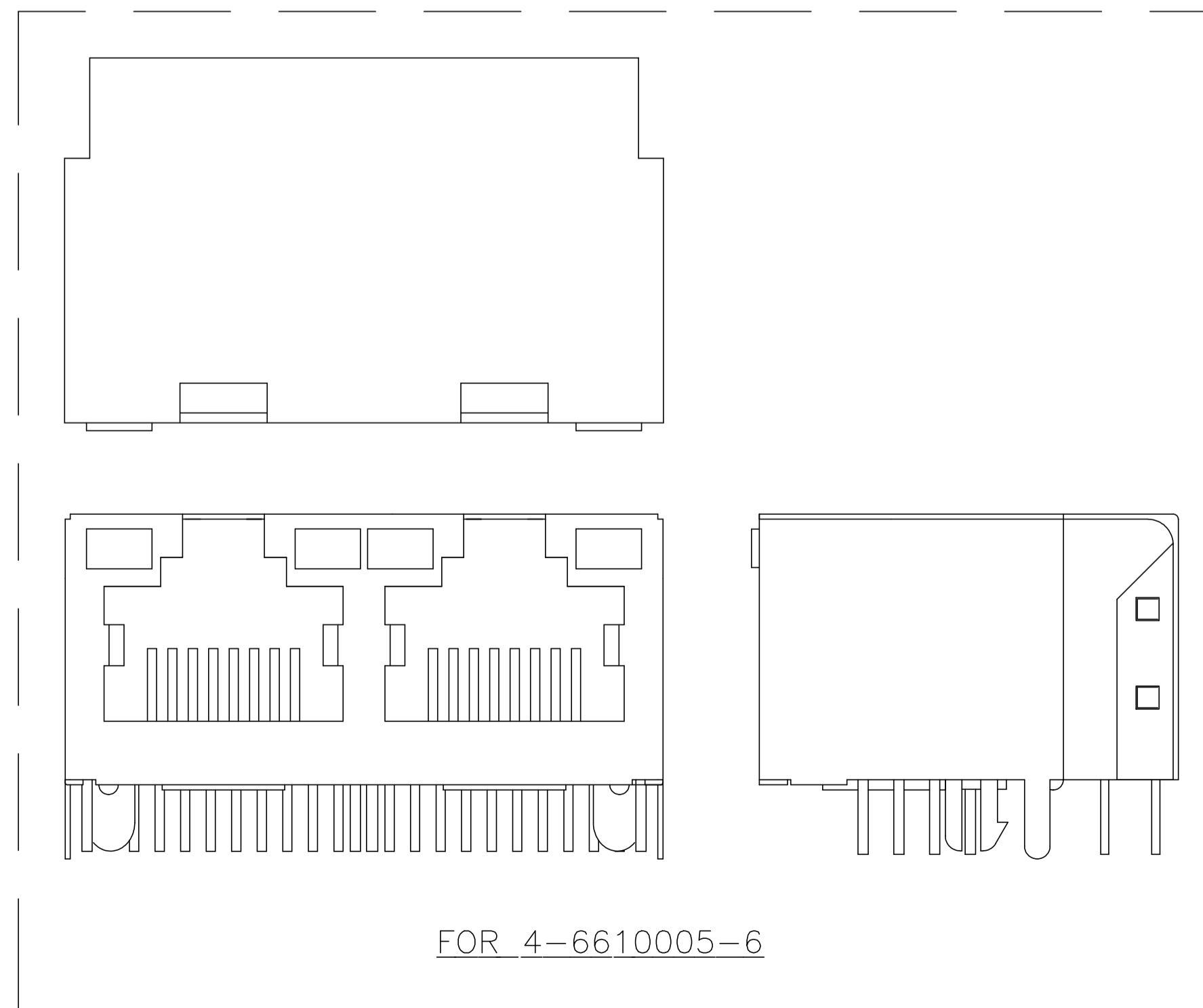
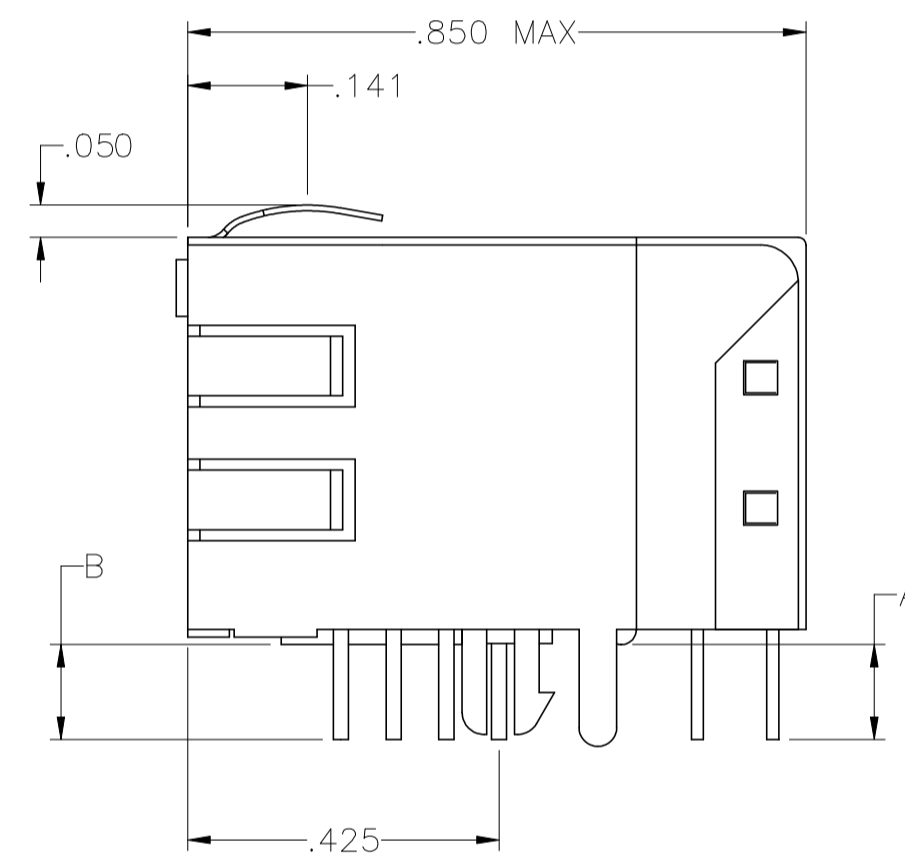
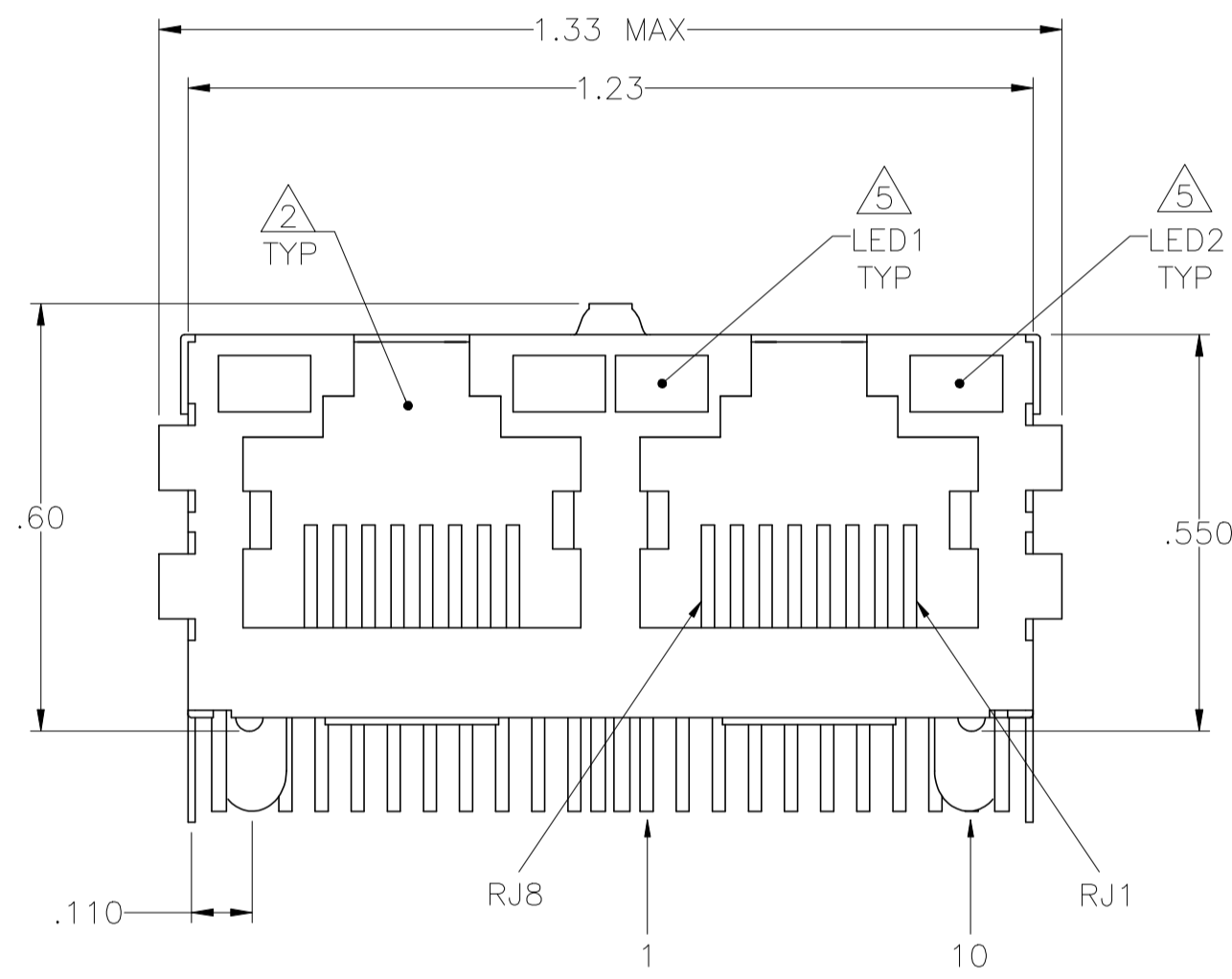
PRODUCT MAY BE PROTECTED BY ONE OR MORE OF THE FOLLOWING US PATENTS:
 5736910 5939955 6425781 6428361 6554638 6840817 7123117
 7429195 7717749 7808751 6217391 6149050 7924130

REVISIONS				
P	LYR	DESCRIPTION	DATE	APPD
S		EC-1411035 COMPANY LOGO CHANGE	12JAN2015	HY KZ

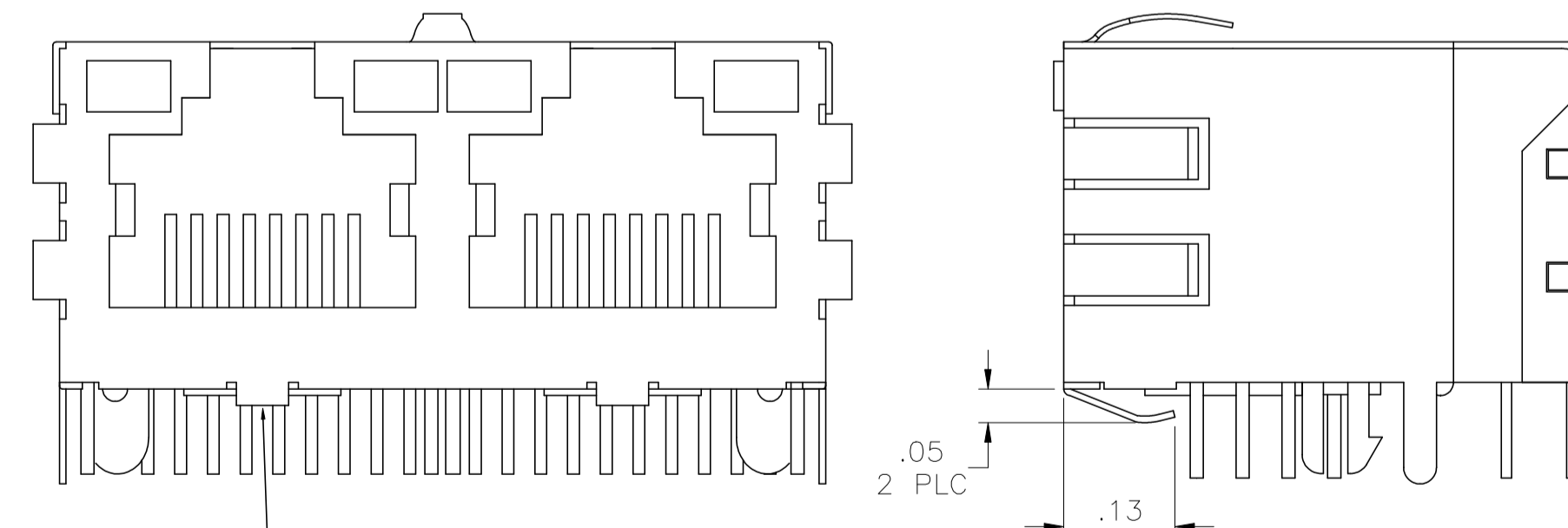
MECHANICAL:



1X2 SUGGESTED PANEL CUTOUT



FOR 4-6610005-6



BOTTOM TABS
 2 PLC
 FOR 5-6610005-6, 2-6610005-2 & 6610005-1

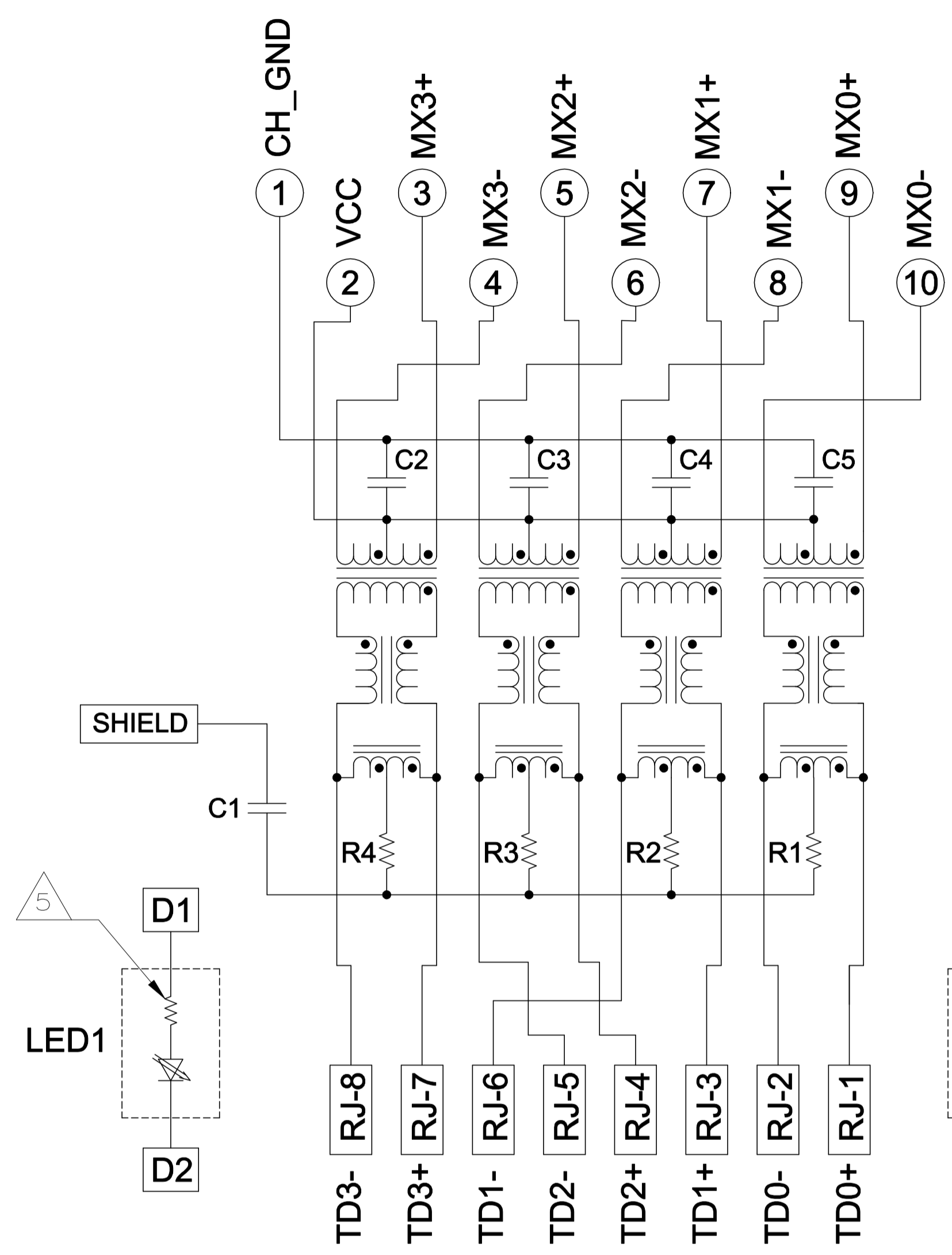
- △ MATERIALS:
 HOUSING - THERMOPLASTIC PET POLYESTER FLAMMABILITY RATING UL 94V-0
 ONLY FOR 3-6610005-5: HIGH TEMPERATURE NYLON, BLACK, UL 94V-0
 SHIELD - .010" THICK, C26800 BRASS PREPLATED WITH 30µ inch MIN SEMI-BRIGHT NICKEL, SOLDER TAB POSTS DIPPED WITH 100µ inch MIN SAC SOLDER
 MOD JACK CONTACTS - .0157" x .018", PHOSPHOR BRONZE, 50µ inch MIN OVERALL NICKEL UNDERPLATE, WITH SELECT 50µ inch MIN HARD GOLD FINISH PLATE. SOLDER TAILS WITH 100µ inch MIN MATTE TIN AND/OR SAC SOLDER DIP.
 LIGHT EMITTING DIODE(LED) - DIFFUSED EPOXY LENS, .020" x .020" CARBON STEEL WIREFRAME LEADS PREPLATED WITH 80µ inch SILVER OVER 40µ inch NICKEL UNDERPLATE OVER 40µ inch COPPER UNDERPLATE, POST-PLATED WITH 100µ inch MIN MATTE TIN AND/OR SAC SOLDER DIP OR PURE TIN SOLDER DIP.
- △ RJ45 JACK CAVITY CONFORMS TO FCC RULES AND REGULATIONS PART 68, SUB PART F.
- △ MAGNETICS:
 -APPLICATION: 10/100/1000 BASE-T
 -IMPEDANCE: 100 OHMS
 -TURNS RATIO (CHIP-CABLE): 1:1 ALL FOUR PAIRS
 -OPEN CIRCUIT INDUCTANCE (OCL): 350µH MIN @100kHz, 0.1VRMS, 8mA DC BIAS FROM 0°C TO 70°C, ALL FOUR PAIRS
 -ALL FOUR PAIRS BI-DIRECTIONAL
 -PERFORMANCE @ 25°C:
 INSERTION LOSS (IL): 1.1dB MAX FROM 0.5MHz TO 100MHz
 RETURN LOSS (RL): 18dB MIN FROM 0.5MHz TO 40MHz
 12-20LOG(f/80)dB MIN FROM 4.01MHz TO 100MHz
 CROSSTALK ATTENUATION: 35dB MIN FROM 0.5MHz TO 40MHz
 33-20LOG(f/50)dB MIN FROM 4.01MHz TO 100MHz
 COMMON MODE REJECTION RATIO(CMRR): 30dB MIN FROM 0.5MHz TO 100MHz
 -ISOLATION VOLTAGE: THE CONNECTOR SHALL PROVIDE DC ISOLATION USING 2250VDC (MAX) FOR 60 SECONDS WITH A RISE TIME OF 500 V/SEC AND WITH ALL PORTS CONNECTED.

- △ ALL DIMENSIONS NOMINAL UNLESS OTHERWISE NOTED.
- △ THE 250 OHM RESISTOR IS OPTIONAL, PLEASE SEE CHART FOR PRESENCE OR ABSENCE OF LED RESISTORS.
 IF LEDES WITHOUT 250 OHM RESISTOR, LEDES ARE DRIVEN WITH CONSTANT CURRENT AT APPROX 20 mA
 LED COLOR: DOMINANT WAVELENGTH (λ D): GREEN 568 nm TYP @ IF=20 mA
 FORWARD VOLTAGE (VF): GREEN 2.2V TYP @ IF=20 mA
 DOMINANT WAVELENGTH (λ D): YELLOW 588 nm TYP @ IF=20 mA
 FORWARD VOLTAGE (VF): YELLOW 2.1V TYP @ IF=20 mA
 IF LEDES WITH BUILT-IN RESISTOR, LEDES ARE DRIVEN WITH 5V VOLTAGE AND THE MAX OPERATING CURRENT IS 20mA.
 LED COLOR: DOMINANT WAVELENGTH (λ D): GREEN 568 nm TYP @ VF=5V
 FORWARD CURRENT (IF): GREEN 12mA TYP @ VF=5V
 DOMINANT WAVELENGTH (λ D): YELLOW 588 nm TYP @ VF=5V
 FORWARD CURRENT (IF): YELLOW 13mA TYP @ VF=5V
- △ INDICATED MAGNETIC CONNECTIONS ARE SYMMETRICAL TO ACCOMMODATE CONNECTIONS FOR EITHER NIC OR HUB CONFIGURATION, OR SUPPORT AUTO-MDI/MDIX.
- △ TRP CONNECTOR LOGO, PART NUMBER, DATE CODE, COUNTRY OF ORIGIN AND AGENCY APPROVAL MARKING IN APPROXIMATE LOCATION SHOWN.
- 8. THESE PARTS ARE RECOMMENDED FOR WAVE SOLDERING PROCESS, PREHEAT TEMPERATURE IS 120°C TO 160°C, 120 SECONDS TO 180 SECONDS, PEAK WAVE SOLDERING TEMPERATURE IS 260°C MAX (275°C MAX ONLY FOR 3-6610005-5), 10 SECONDS MAX.
- 9. OPERATING TEMPERATURE: FROM 0°C TO +70°C.

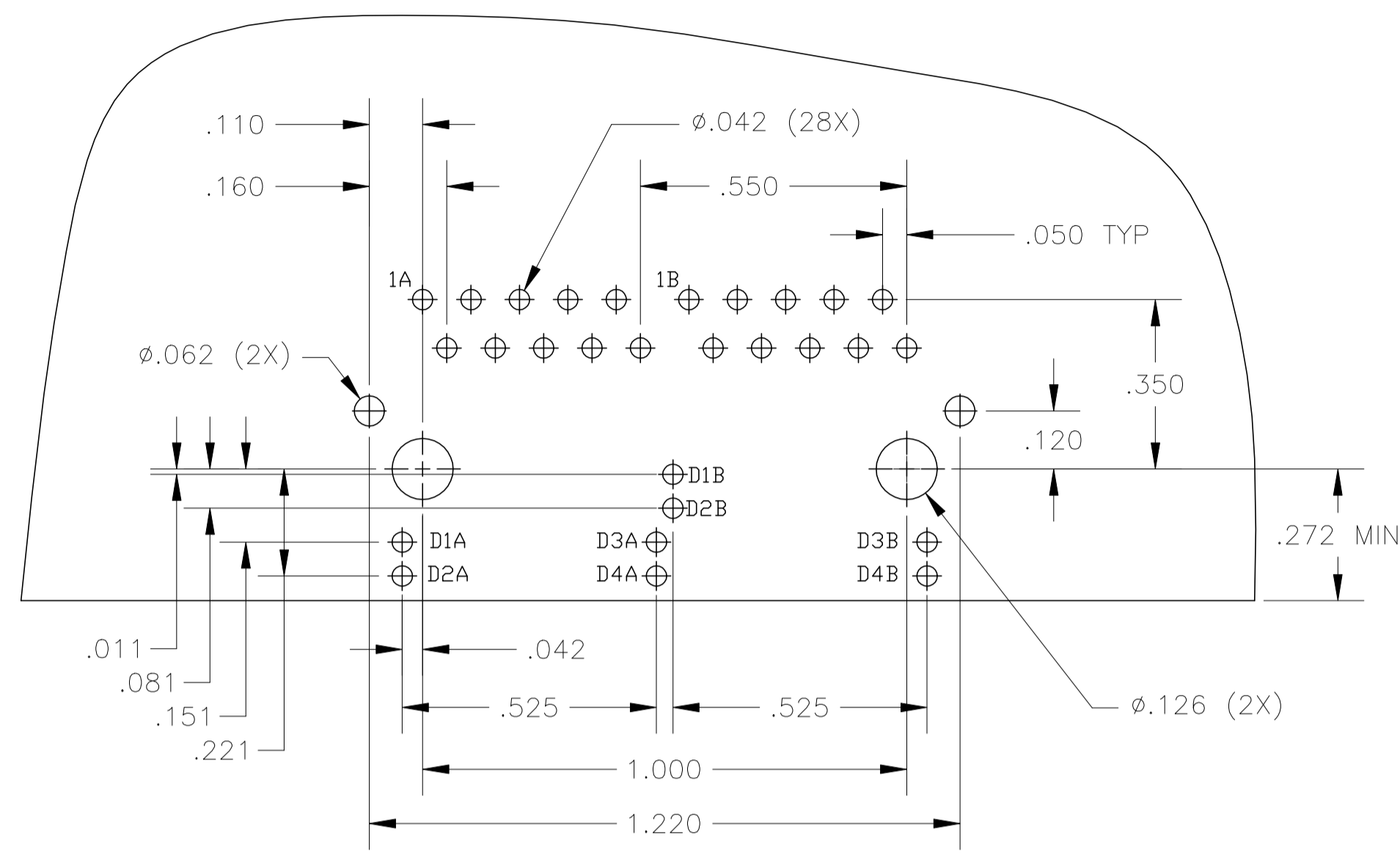
YES	.081	.081	NO	GREEN/YELLOW	NO	GREEN/YELLOW	NO	6-6610005-6
YES	.145	.145	YES	GREEN/YELLOW	NO	GREEN/YELLOW	NO	5-6610005-6
NO	.145	.145	NO	GREEN/YELLOW	NO	GREEN/YELLOW	NO	4-6610005-6
YES	.110	.145	NO	GREEN	YES	GREEN/YELLOW	NO	4-6610005-5
YES	.100	.100	NO	GREEN/YELLOW	NO	GREEN	NO	3-6610005-5
YES	.125	.125	NO	GREEN/YELLOW	NO	GREEN	NO	2-6610005-5
YES	.125	.125	NO	GREEN/YELLOW	NO	GREEN	YES	2-6610005-4
YES	.145	.145	YES	YELLOW	YES	GREEN	YES	2-6610005-2
YES	.145	.145	NO	GREEN	YES	GREEN/YELLOW	NO	1-6610005-5
YES	.145	.145	NO	GREEN	YES	GREEN	YES	1-6610005-1
YES	.145	.145	NO	GREEN/YELLOW	NO	GREEN/YELLOW	NO	6610005-6
YES	.145	.145	NO	GREEN/YELLOW	NO	GREEN	YES	6610005-4
YES	.145	.145	NO	YELLOW	YES	GREEN	YES	6610005-2
YES	.145	.145	YES	GREEN	YES	YELLOW	YES	6610005-1

THIS DRAWING IS A CONTROLLED DOCUMENT.		DWN: R.GRZYBOWSKI 13JAN05		CHK: D.FAROLE 13JAN05		APPD: D.FAROLE 13JAN05		TRP CONNECTOR		DONGGUAN CHINA	
DIMENSIONS: INCHES		TOLERANCES UNLESS OTHERWISE SPECIFIED:		MODEL NAME		DESC		SIZE		CAGE CODE	
0 PLC ± .010		1 PLC ± .010		MAGJACK GANG		1X2 7G05 GIGABIT TAB UP W/ LED		A1		DRAWING NO	
2 PLC ± .010		3 PLC ± .005		NON-POE		-		C=6610005		RESTRICTED TO	
4 PLC ± .005		ANGLES ± .010		CUSTOMER DRAWING		SCALE		4:1		SHEET 1 OF 2	
PRODUCT SPEC 108-2100		APPLICATION SPEC		SCALE		4:1		SHEET		REV S	

7G05_GIGABIT_SCHEMATIC 3 6

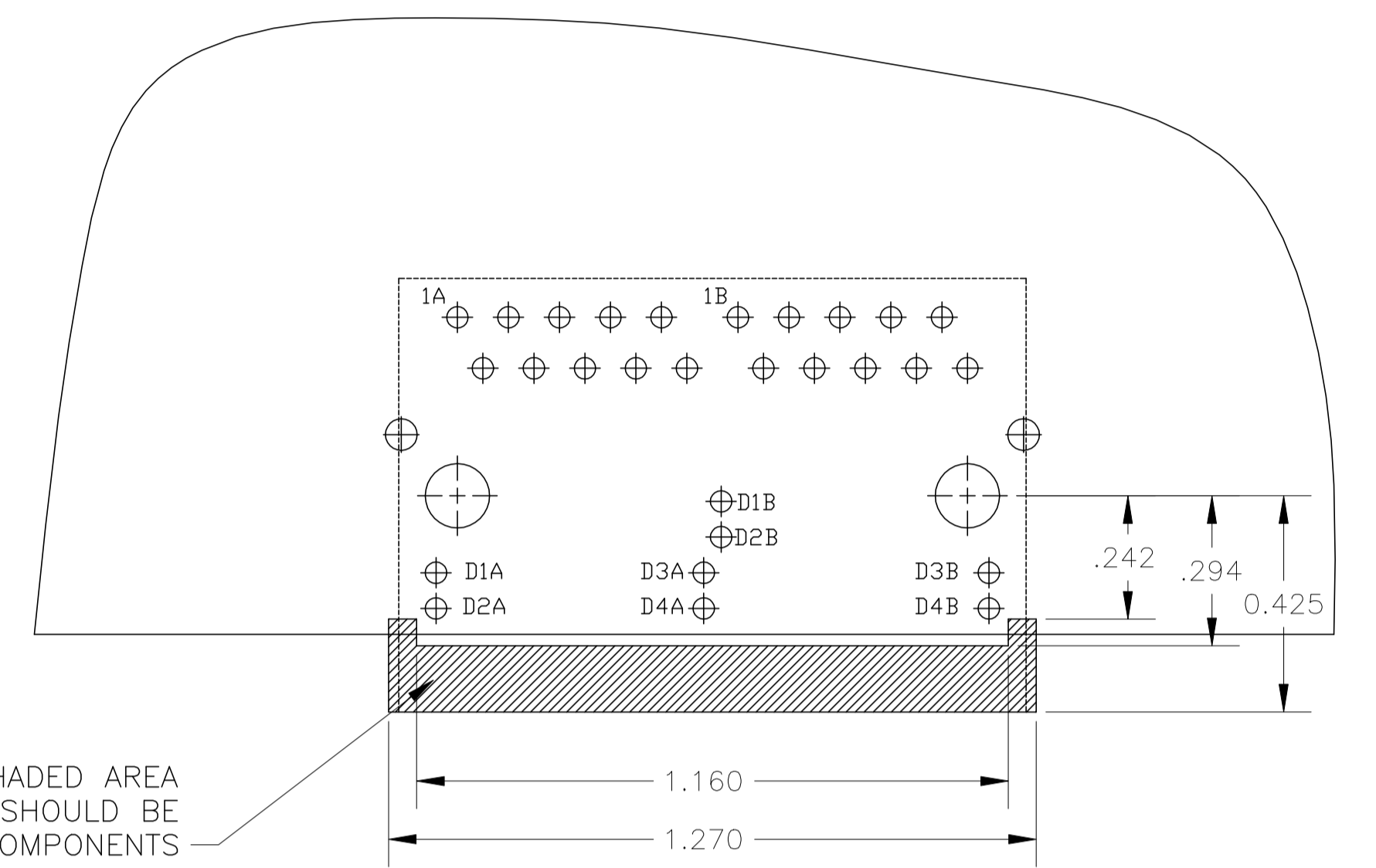


C1 = 1000 pF, 2kV DECOUPLING CAPACITOR
 R1-R4 = 75 OHMS, 1/16 W, 5% RESISTORS
 C2-C5 = 0.1uF, 10%, 50V, X7R CAPACITORS

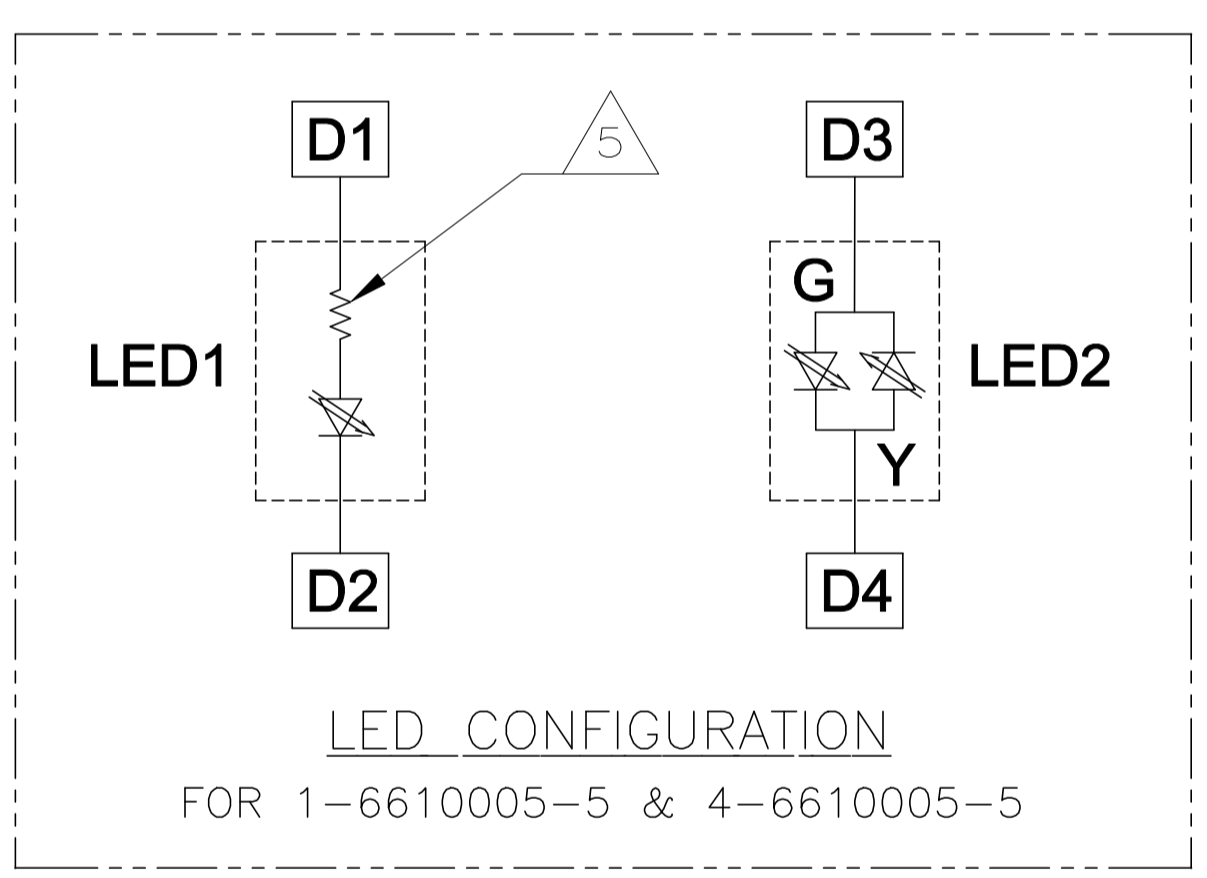


SUGGESTED PCB LAYOUT
(Component Side)

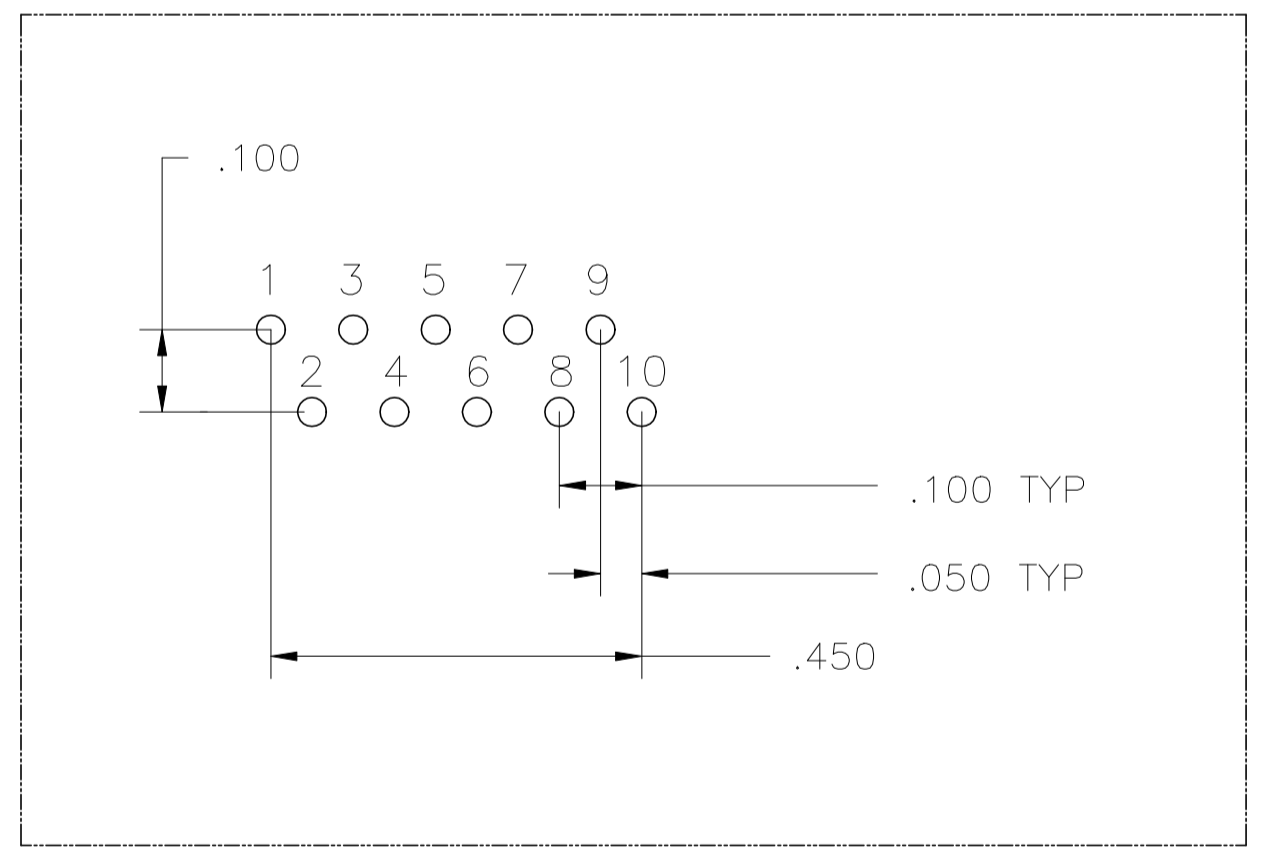
IT IS RECOMMENDED THAT SHADED AREA OF CUSTOMER PC BOARD SHOULD BE CLEAR OF ANY VIA HOLES AND COMPONENTS



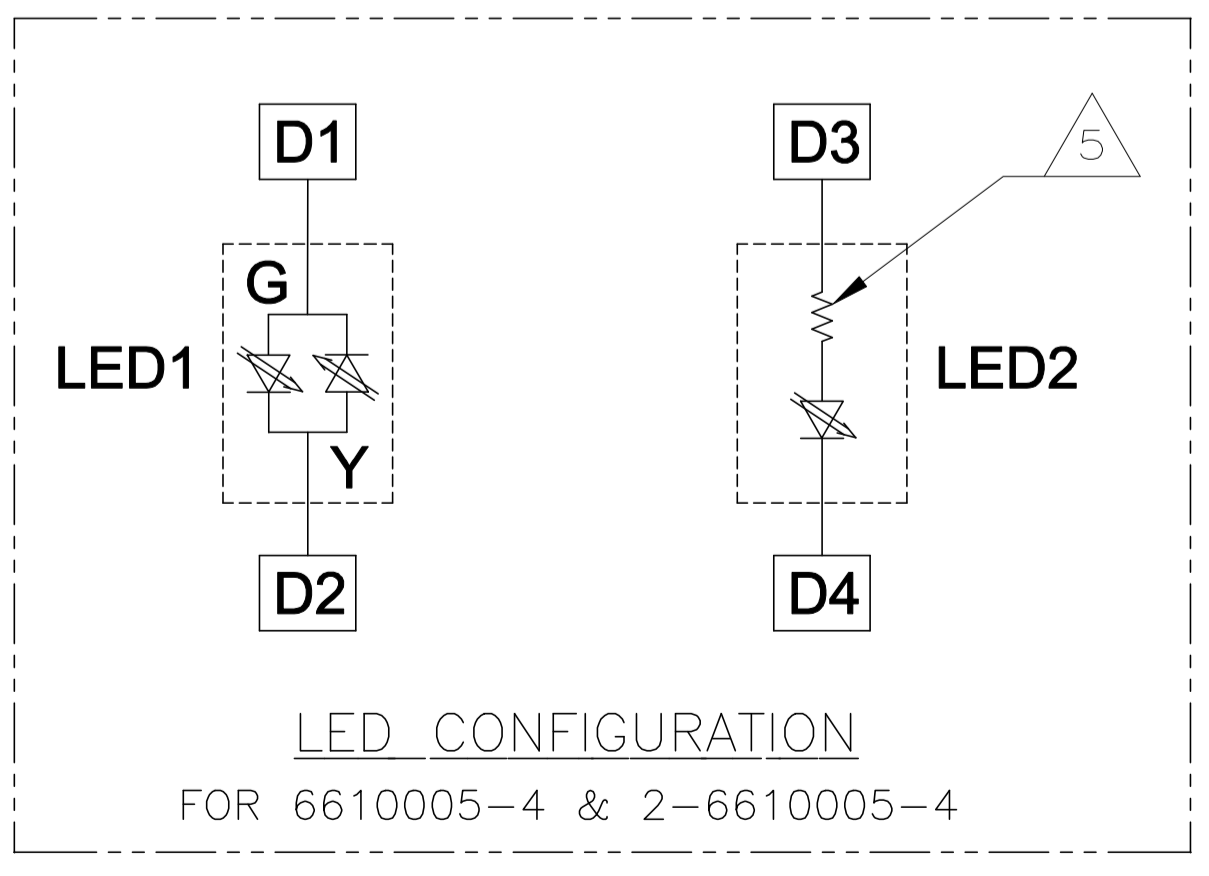
SUGGESTED PCB KEEP OUT AREA
(Component Side)



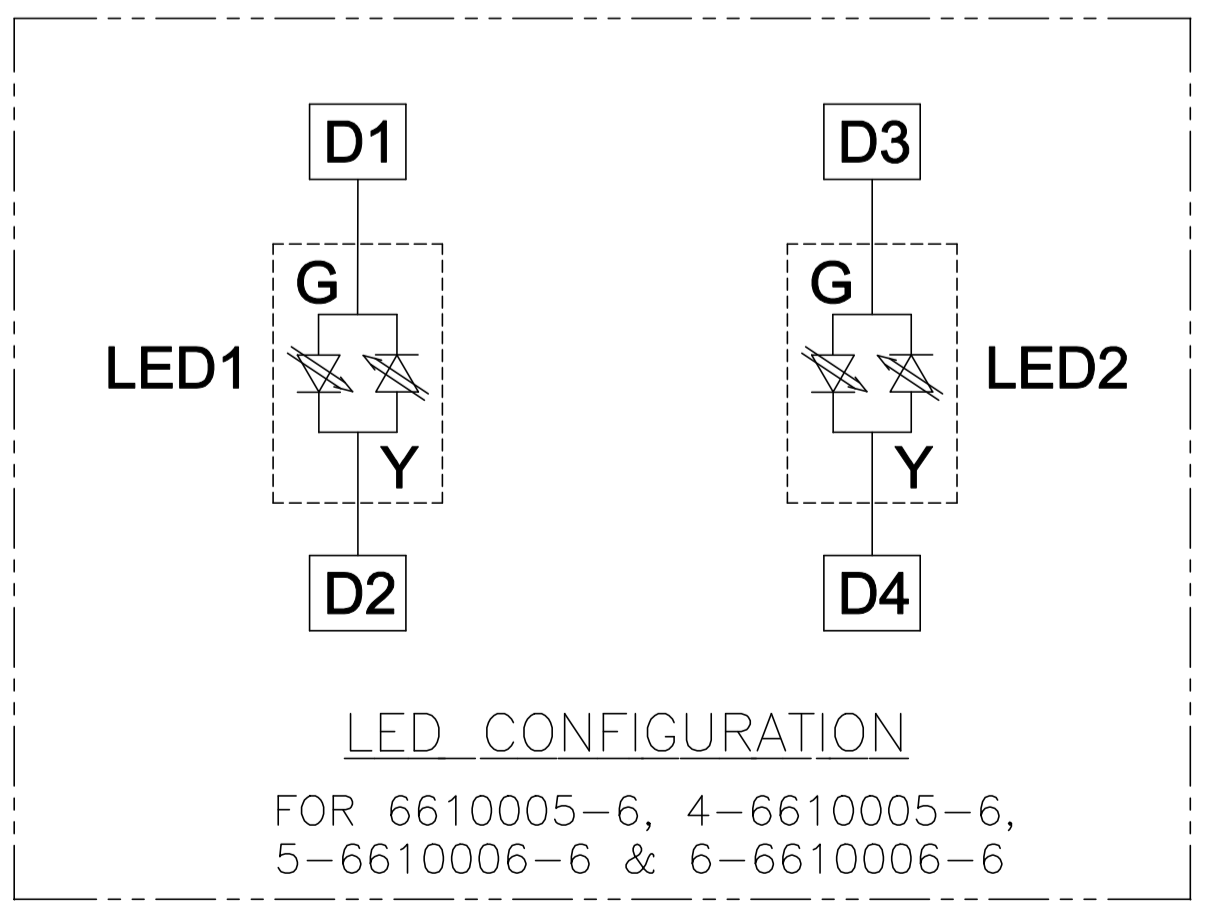
LED CONFIGURATION
FOR 1-6610005-5 & 4-6610005-5



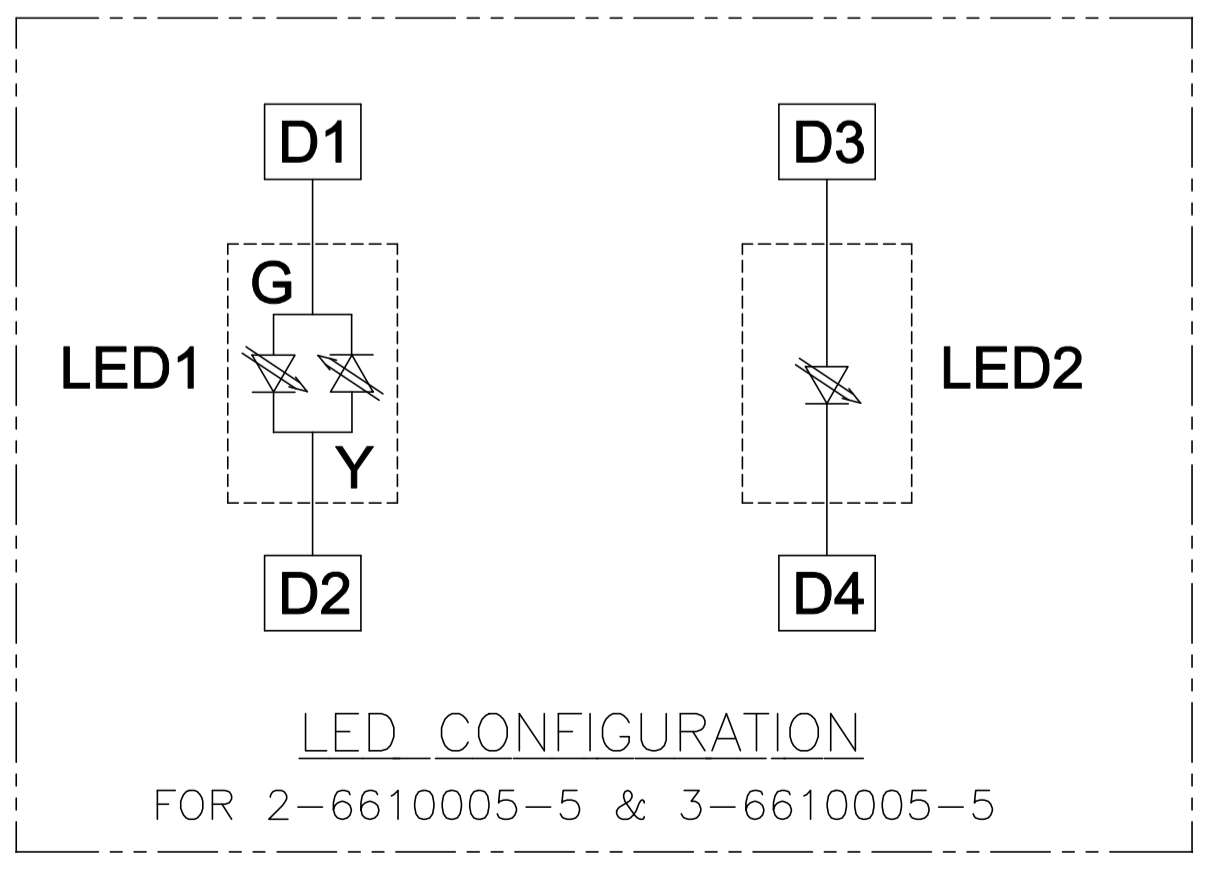
PIN DESIGNATIONS
(APPLIES TO ALL PORTS)



LED CONFIGURATION
FOR 6610005-4 & 2-6610005-4



LED CONFIGURATION
FOR 6610005-6, 4-6610005-6,
5-6610006-6 & 6-6610006-6



LED CONFIGURATION
FOR 2-6610005-5 & 3-6610005-5

THIS DRAWING IS A CONTROLLED DOCUMENT.		OWN R.GRZYBOWSKI 13JAN05	DESC 1X2 7G05 GIGABIT TAB UP W/ LED
DIMENSIONS: INCHES	TOLERANCES UNLESS OTHERWISE SPECIFIED:	CHK D.FAROLE 13JAN05	trp CONNECTOR DONGGUAN CHINA
0 PLC ± -	1 PLC ± .010	APP'D D.FAROLE 13JAN05	MODEL NAME MAGJACK GANG
2 PLC ± .005	3 PLC ± .005	PRODUCT SPEC 108-2100	SIZE NON-POE
4 PLC ± -	ANGLES ± -	APPLICATION SPEC -	RESTRICTED TO -
CUSTOMER DRAWING		SCALE 4:1	SHEET 2 OF 2
		DRAWING NO C=6610005	REV S

X-ON Electronics

Largest Supplier of Electrical and Electronic Components

Click to view similar products for [Modular Connectors](#) / [Ethernet Connectors](#) category:

Click to view products by [Bel Fuse](#) manufacturer:

Other Similar products are found below :

[RJE231881317T](#) [MP1010RX-1000](#) [MP44RX-1000](#) [GAX-3-66](#) [GAX-8-62](#) [93606-0253](#) [GD-A-44](#) [GDCX-PA-66-50](#) [GDCX-PN-64](#) [GDCX-PN-66](#) [GDCX-PN-66-50](#) [GDLX-A-66](#) [GDLX-A-88](#) [GDLX-N-66](#) [GDLX-S-88K](#) [GDTX-S-88-50](#) [GDX-PA-1010](#) [GLX-N-1010M-BLK](#) [GLX-N-44M](#) [GLX-S-88M-BLK](#) [GMX-N-1010](#) [GMX-S-1010](#) [GMX-S-66](#) [GMX-SMT2-N-1010](#) [GMX-SMT2-N-64-50](#) [GMX-SMT2-S6-88](#) [GMX-SMT4-N-88](#) [GPX-2-64](#) [GRT1-BT1-5](#) [GSGX-N-2-88](#) [GSX-NS2-88-3.05](#) [GSX-NS2-88-3.05-50](#) [GSX-NS-88-3.05-30](#) [GSX-NS-88-3.05-50](#) [GSX-NS-88-3.68](#) [1-1775629-2](#) [GWLX-S-88-GR](#) [GWLX-S9-88-YG](#) [1300500326](#) [1300500227](#) [1300530003](#) [1300570002](#) [1324640-4](#) [RJ11FTVC2G](#) [RJ11FTVC2N](#) [RJFTVX2SA1G](#) [132764-001](#) [1400000](#) [1413176](#) [1413235](#)