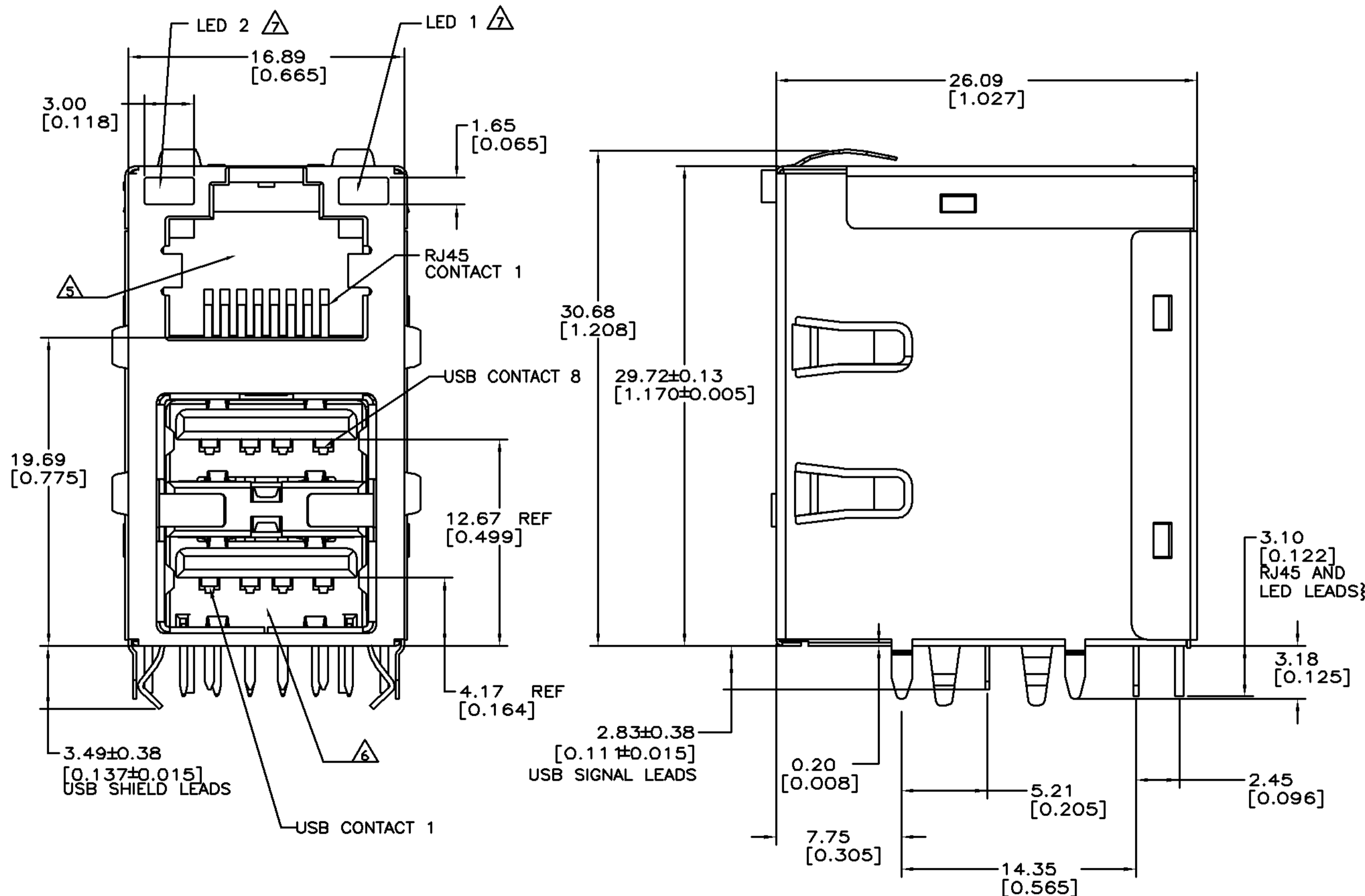
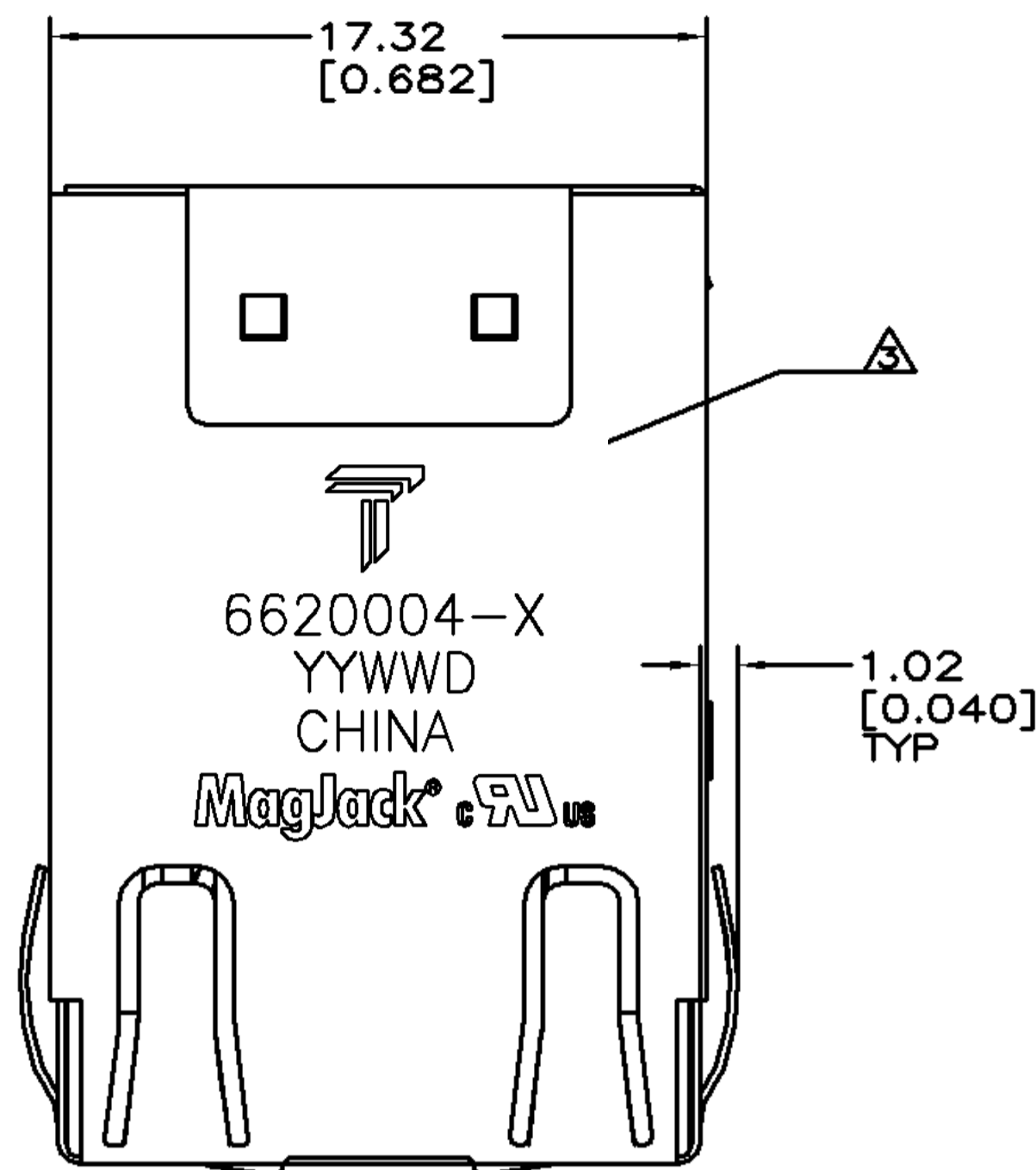


THIS DRAWING AND THE SUBJECT MATTER SHOWN THEREON ARE CONFIDENTIAL AND THE PROPERTY OF BEL/STEWART/TRP CONNECTOR AND SHALL NOT BE REPRODUCED, COPIED, OR USED IN ANY MANNER WITHOUT THE WRITTEN CONSENT OF TRP CONNECTOR.

PRODUCT MAY BE PROTECTED BY ONE OR MORE OF THE FOLLOWING US PATENTS:
 5738310 5939555 6425781 6428361 6554638 8840617 7123117
 7428195 7717749 7808751 8217391 8148050 7924130

REVISIONS					
P	LTR	DESCRIPTION	DATE	DWN	APVD
G		EC-1411035, LOGO CHANGE	09JAN2015	JC	TY



△ USB MATERIALS:
 SHELL: BRASS
 HOUSING: BLACK, THERMOPLASTIC, GLASS FILLED, UL 94V-0 RATED
 CONTACT: PHOSPHOR BRONZE WITH SELECTIVE GOLD PLATING, 0.76µm MIN IN CONTACT REGION
 SPRING CLIP: COPPER ALLOY

RJ45 MATERIALS:
 PLASTIC HOUSING: BLACK, PET THERMOPLASTIC FLAMMABILITY RATING UL 94V-0
 SHIELD: BRASS, PLATED WITH 0.76µm SEMI-BRIGHT NICKEL, SELECTED TIN, 2.0-3.8µm ON SOLDER TAILS ONLY
 CONTACTS: PHOSPHOR BRONZE
 PLATING: 1.27µm MIN NICKEL UNDERPLATE WITH SELECT 1.27µm MIN GOLD AT MATING INTERFACE AND 2.54µm MIN TIN ON CONTACT TAILS.

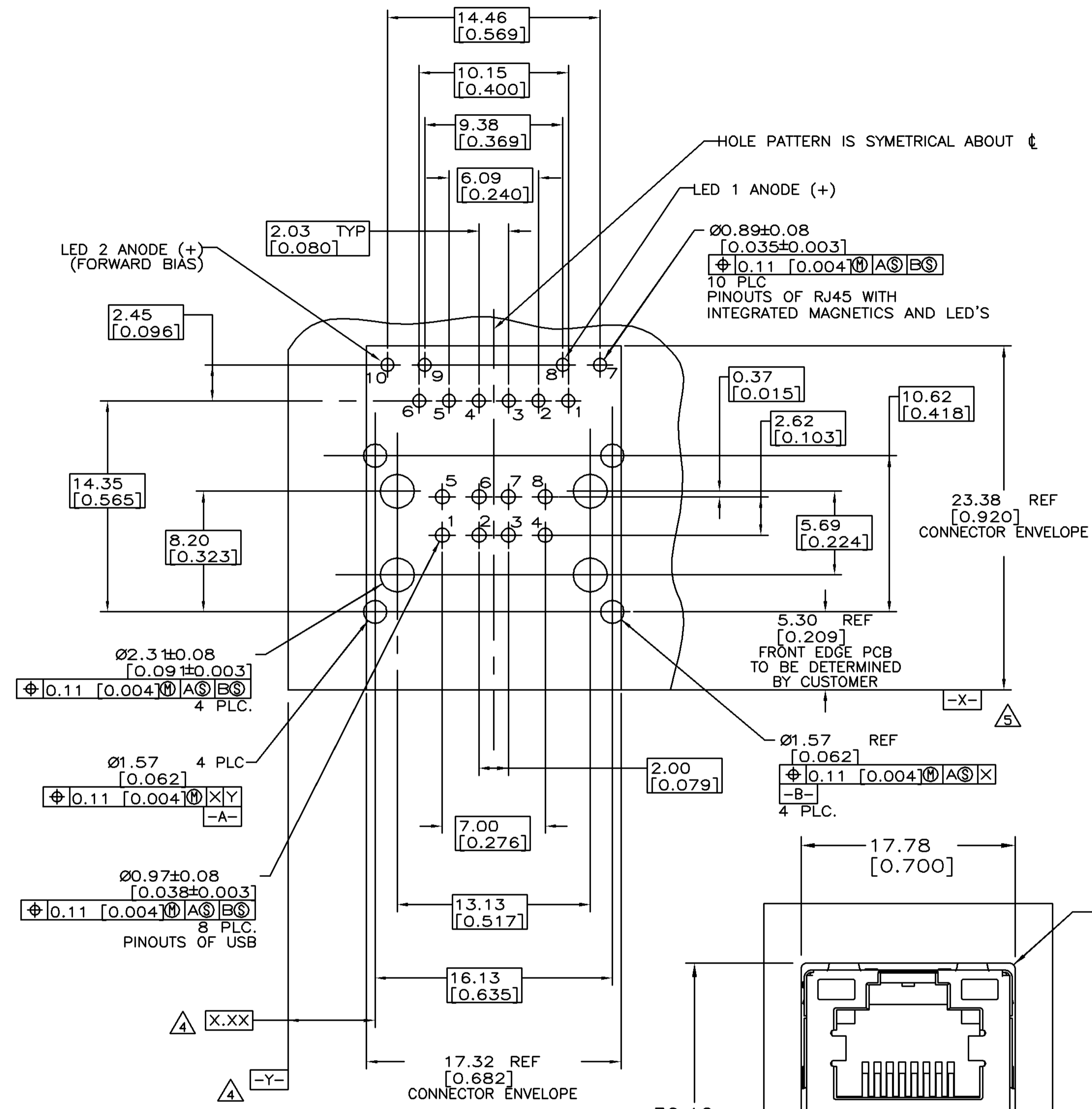
LIGHT PIPE: FLAME RETARDANT POLYCARBONATE.
 LED: DIFFUSED EPOXY LENS, CARBON STEEL LEAD FRAME WITH TIN/SILVER/NICKEL/COPPER PLATING.

△ MAGNETICS
 -APPLICATION: 10/100 BASE-T
 -IMPEDANCE: 100 OHMS
 -TURNS RATIO (CHIP:CABLE): TX = 1:1, RX = 1:1
 -OPEN CIRCUIT INDUCTANCE (OCL): 350uH MIN @100kHz, 0.1VRMS, 8mADC BIAS FROM 0°C TO 70°C, TX AND RX
 -PERFORMANCE @ 25°C:
 INSERTION LOSS (IL): 1.1dB MAX FROM 0.5MHz TO 100MHz
 RETURN LOSS (RL): 18dB MIN FROM 0.5MHz TO 30MHz
 18-20LOG(f/30)dB MIN FROM 30.1MHz TO 60MHz
 12dB MIN FROM 60.1MHz TO 80MHz
 CROSSTALK ATTENUATION: 35dB MIN FROM 0.5MHz TO 40MHz
 33-20LOG(f/50)dB MIN FROM 40.1MHz TO 100MHz
 COMMON MODE REJECTION RATIO (CMRR): 30dB MIN FROM 0.5MHz TO 100MHz
 -ISOLATION VOLTAGE: COMPLIES WITH IEEE802.3 2002, PARA 23.5.1.1, ITEM b.

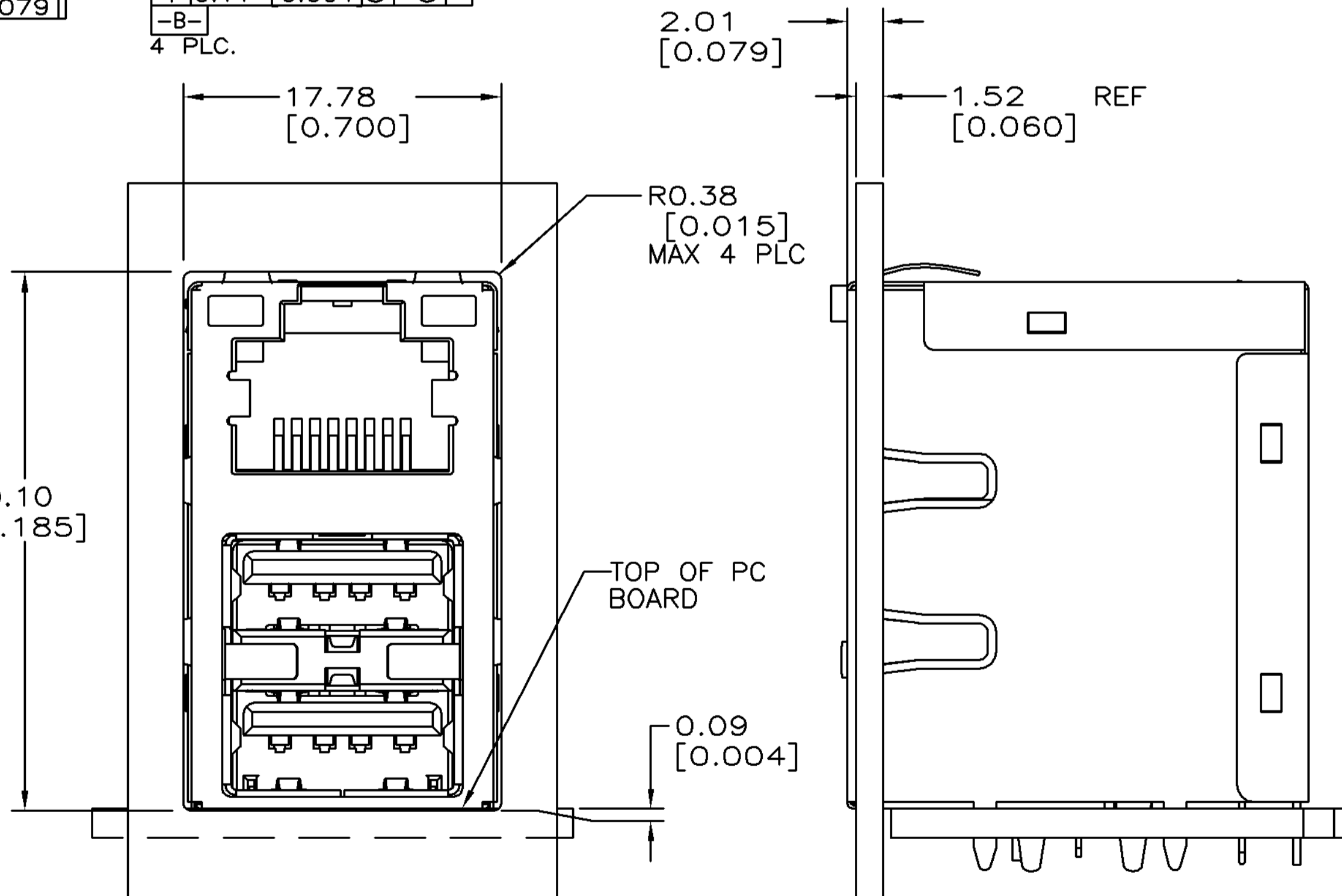
- △ PRODUCT IDENTIFICATION TO BE MARKED IN APPROXIMATE LOCATION.
- △ DATUM LOCATION AND DIMENSION TO BE ESTABLISHED BY CUSTOMER.
- △ RJ45 CAVITY CONFORMS TO FCC RULES AND REGULATION PART 68 SUBPART F.
- △ MATING INTERFACE COMPIES WITH USB (UNIVERSAL SERIAL BUS) SPECIFICATION REV 2.0, UTILIZING TRP P/N 292323-1 WITH USB 2.0 CERTIFICATE TEST ID NO. 60000242.
- △ LED'S COMPLIANT WITH IEC60825-1 SAFETY OF LASER PRODUCTS. WHEN OPERATED AT CURRENT OF 20 MA.
- 8. OPERATING TEMPERATURE: -FROM 0 °C TO + 70° C
- 9. THESE PARTS ARE RECOMMENDED FOR WAVE SOLDERING PROCESS, PEAK SOLDERING TEMPERATURE IS 260 °C MAX, 10 SECONDS MAX.
- △ OBSOLETE PARTS: OBSOLETE CIS STREAMLINING PER D.RENAUD/D.SINISI

OBsolete	Color	Value	Part Number
GREEN	GREEN	1000 pF, 3kV	1-6620004-1
GREEN/ORANGE	YELLOW	1000 pF, 3kV	6620004-2
GREEN/ORANGE	YELLOW	1000 pF, 2kV	6620004-1
LED 2	LED 1	DECOUPLING CAPACITOR	PART NUMBER

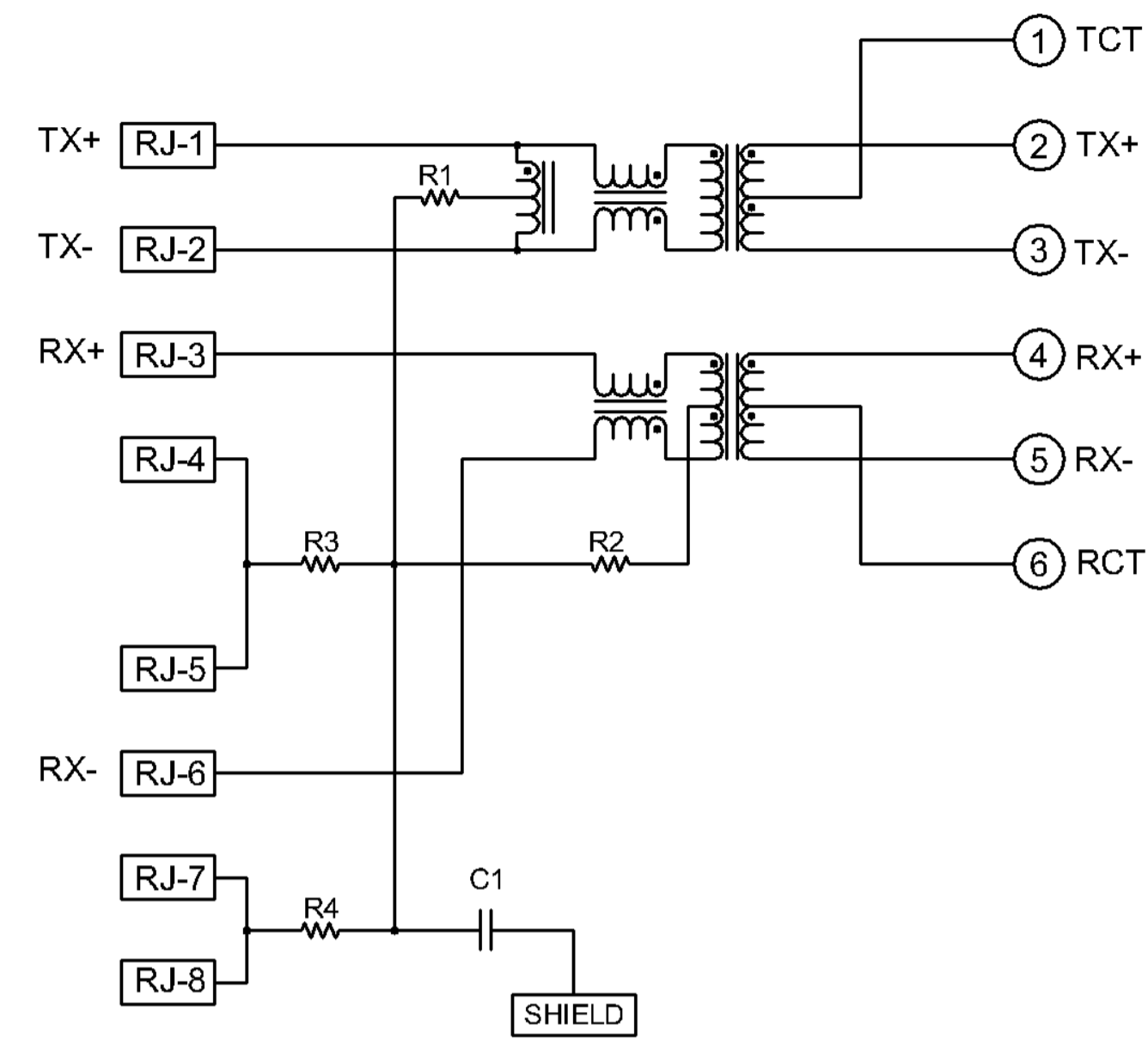
THIS DRAWING IS A CONTROLLED DOCUMENT.		OWN: R.GRZYBOWSKI 24JUN2005	DONGGUAN CHINA
DIMENSIONS: MM		CHK: P.DAMATO 24JUN2005	
TOLERANCES UNLESS OTHERWISE SPECIFIED:		APVD: S.FLICKINGER 24JUN2005	
0 PLC	±		DES: RJ45 OVER DUAL USB
1 PLC	±		UR204P12, 10/100 CIRCUIT, W/ LEDS
2 PLC	± 0.25		SIZE: A1
3 PLC	± 0.25		CAGE CODE: 6620004
4 PLC	±		DRAWING NO: 108-2100
ANGLES	±		RESTRICTED TO: -
APPLICATION SPEC			SCALE: NTS
PRODUCT SPEC		CUSTOMER DRAWING	
108-2100		SCALE: NTS	SHEET 1 OF 2 REV G



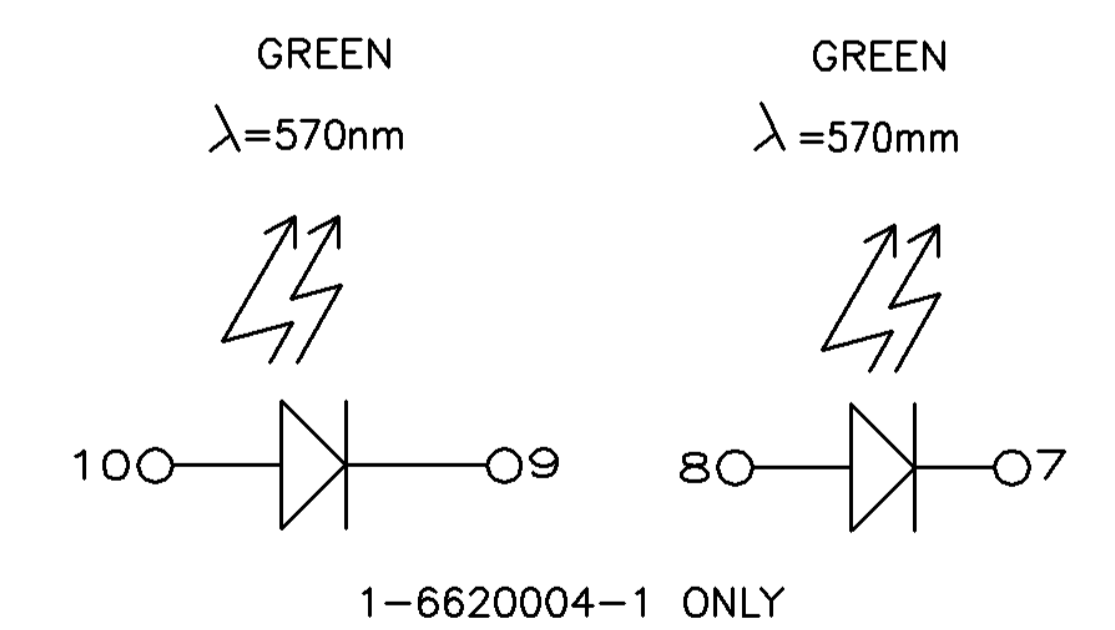
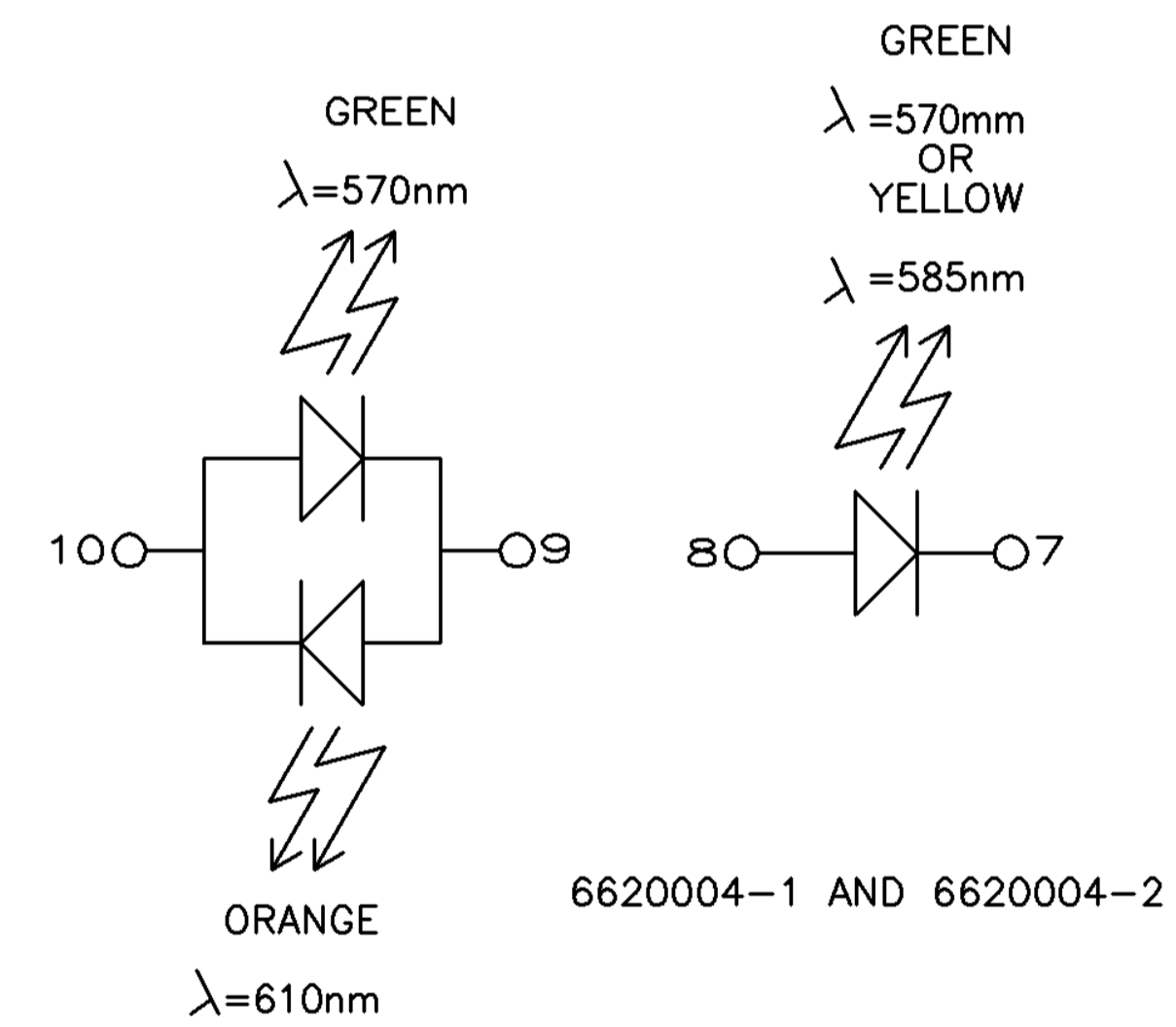
RECOMMENDED P.C.B. FOOTPRINT COMPONENT SIDE



SUGGESTED PANEL CUTOUT DIMENSIONS SCALE 4:1



R1 - R4 = 75 OHMS, 1/16 W, 5% RESISTORS.
 C1 = 1000pF, 2kV DECOUPLING CAPACITOR FOR 6620004-1
 C1 = 1000pF, 3kV DECOUPLING CAPACITOR FOR 6620004-2 AND -11



THIS DRAWING IS A CONTROLLED DOCUMENT.		DRAWN: R. GRZYBOWSKI 24JUN2005		DONGGUAN CHINA
DIMENSIONS: MM		CHK: P. DAMATO 24JUN2005		
TOLERANCES UNLESS OTHERWISE SPECIFIED:		APP'D: S. FLICKINGER 24JUN2005		
0 PLC ± - 1 PLC ± - 2 PLC ± 0.25 3 PLC ± 0.25 4 PLC ± - ANGLES ± - APPLICATION SPEC. -	MODEL NAME: MAGJACK			DESC: RJ45 OVER DUAL USB
PRODUCT SPEC: 108-2100	SCALE: NTS	SHEET: 2	REV: G	RESTRICTED TO: CUSTOMER DRAWING

X-ON Electronics

Largest Supplier of Electrical and Electronic Components

Click to view similar products for [Modular Connectors / Ethernet Connectors](#) category:

Click to view products by [Bel Fuse](#) manufacturer:

Other Similar products are found below :

[8949-H88/06BLKA/SN](#) [74441-0010/BKN](#) [MP1010RX-1000](#) [MP44RX-1000](#) [PHJ-4P4C-1-V-4](#) [PHP-6P6C-5](#) [GAX-3-66](#) [GAX-8-62](#) [GDCX-PA-66-50](#) [GDCX-PN-64](#) [GDCX-PN-66](#) [GDCX-PN-66-50](#) [GDLX-A-66](#) [GDLX-N-66](#) [GDLX-S-66](#) [GDLX-S-88K](#) [GDLX-SMT-S-88](#) [GDTX-S-88-50](#) [GDX-PA-1010](#) [GLX-N-1010M-BLK](#) [GLX-S-88M-BLK](#) [GMX-N-1010](#) [GMX-S-1010](#) [GMX-S-66](#) [GMX-SMT4-N-88](#) [GPX-2-64](#) [GSGX-N-2-88](#) [GSGX-N-4-88](#) [GSX-NS2-88-3.05](#) [GSX-NS2-88-3.05-50](#) [GSX-NS-88-3.05-50](#) [PT-108A-8C-UL](#) [PT-J951-8C](#) [PTS-J531-8CS-50UL](#) [1-1775629-2](#) [A-2014-0-4](#) [GWLX-S-88-GR](#) [GWLX-S9-88-YG](#) [DC-1021-8-WH-6](#) [1300530003](#) [1324640-4](#) [RJ11FTVC2G](#) [RJ11FTVC2N](#) [RJFTVX2SA1G](#) [132764-001](#) [1413235](#) [MP88X-1000](#) [MPS88RX-5000](#) [E5288-S000K3-L](#) [E5908-15A242-L](#)