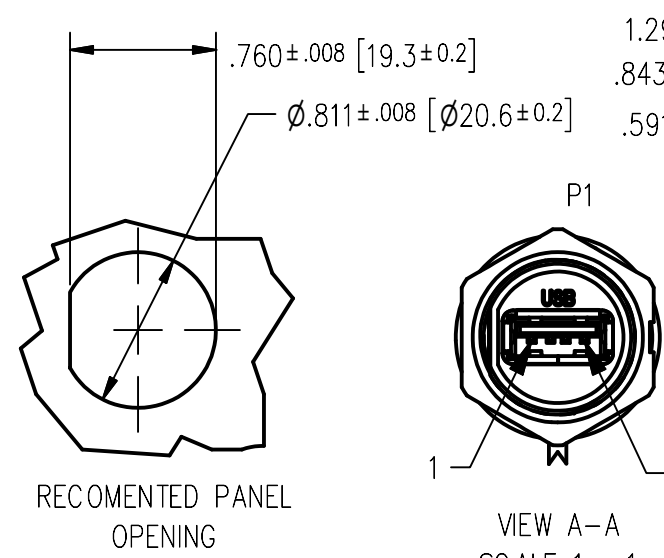
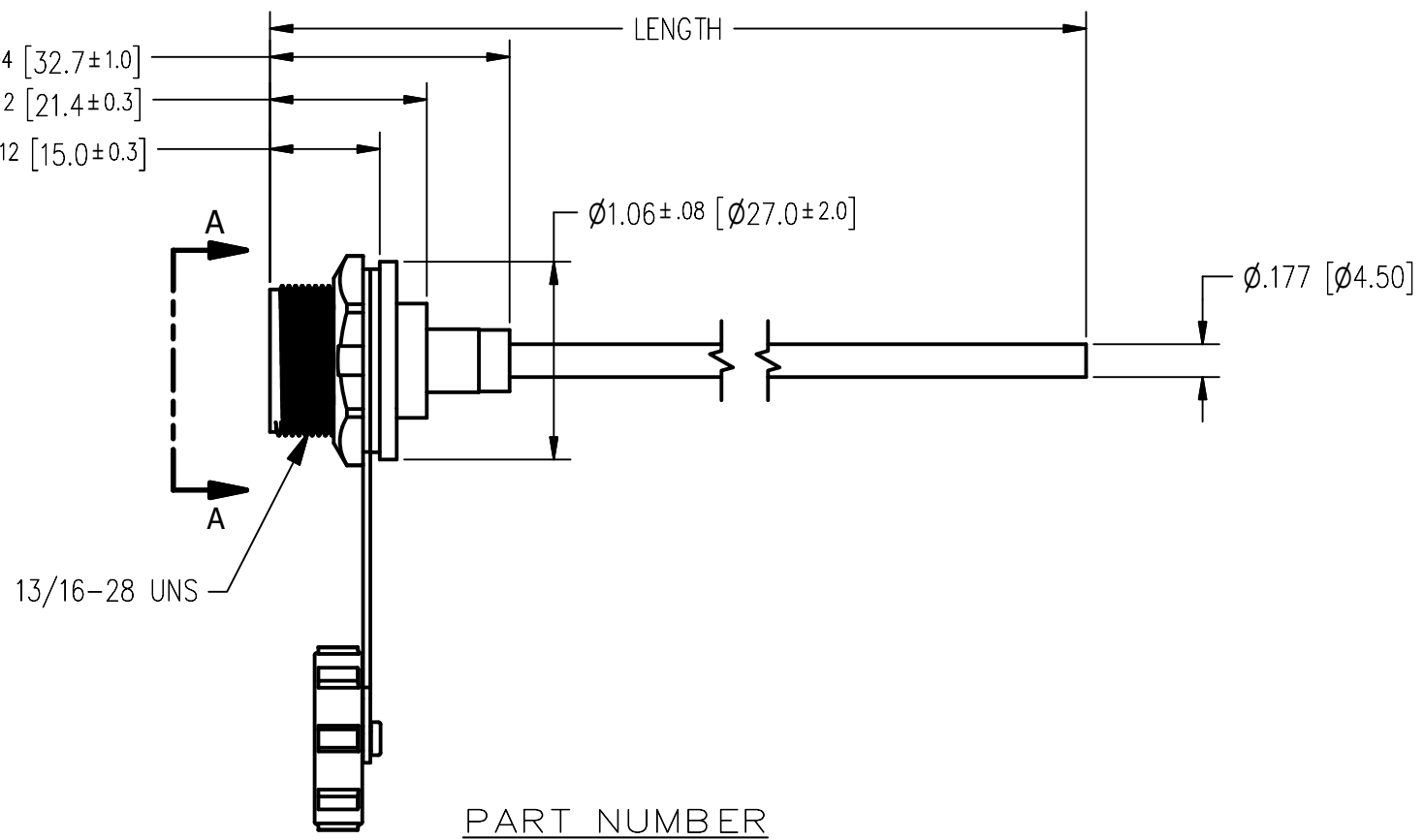


DATE	REV	ECN	APP'D BY
2/4/2021	A0		JE
4/23/2021	A1	11739	GL

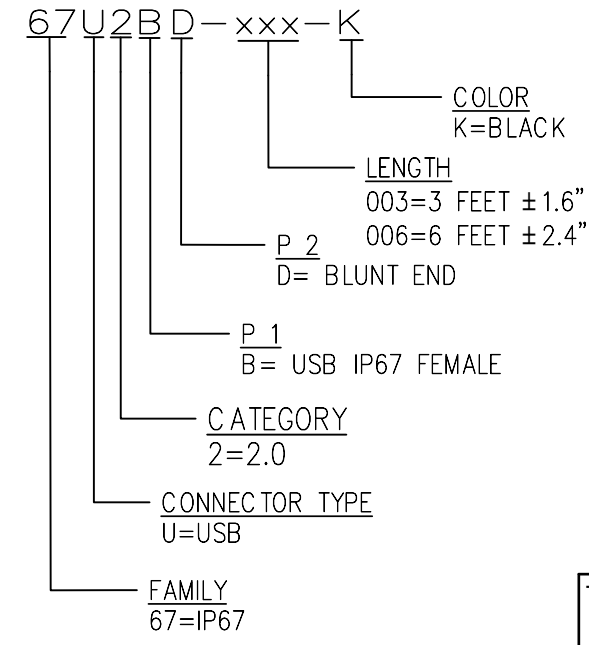


1.29±.04 [32.7±1.0]
.843±.012 [21.4±0.3]
.591±.012 [15.0±0.3]



- NOTES:
- PACKAGING:
 - EACH CABLE ASSEMBLY TO BE INDIVIDUALLY BAGGED
 - MATERIAL:
 - CABLE: USB 2.0 A/F UL2725 1P*28AWG (7/0.2TC) +AL+D+B64 PVC COVER, COLOR BLACK.
 - USB 2.0 A/F
 - INSULATOR: PPT UL 94V-0, COLOR WHITE
 - METAL SHELL: COPPER ALLOY, NI PLATING
 - CONTACTS: COPPER ALLOY Au FLASH ON CONTACT AREA OVER NI
 - OVERMOLD: PVC UL 94V-0 COLOR BLACK
 - HOUSING: PA66 UL94V-0 COLOR BLACK
 - GASKET: SILICONE, COLOR BLACK
 - SCREW NUT: PA66 UL94V-0 COLOR BLACK
 - DUST CAP: PA66 UL94V-0 COLOR BLACK
 - DUST CAP GASKET: SILICONE
 - DUST CAP: PA66 UL94V-0 COLOR BLACK
 - DUST CAP GASKET: SILICONE
 - SPECIFICATIONS:
 - WIRE SPEIFICATION 23/24 AWG
 - NUMBER OF CONTACTS: 4
 - TEMPERATURE RANGE -40~C~ 80~C
 - FLAMMABILIIY RATING: UL94-V0
 - PROTECTION LEVEL: IP67
 - WITHSTANDING VOLTAGE: 1000V/1 MIN
 - CURRENT RATING: 1.5A
 - CONTACT RESISTANCE: ≤ 30MΩ
 - INSULATION RESISTANCE: 100MΩ DC500V

PART NUMBER
STRUCTURE



P1	WIRE COLOR	P2
1	RED	
2	WHITE	
3	GREEN	
4	BLACK	
SHELL	SHIELD BRAID	

THIRD ANGLE PROJECTION	<p>stewart CONNECTOR a bel group</p>	11118 Susquehanna Trail South Glen Rock, PA 17327-9199 (717) 235-7512 http://www.stewartconnector.com	
DO NOT SCALE DRAWING DRAWING IS SUBJECT TO CHANGE WITHOUT NOTICE		TITLE: USB 2.0 TYPE A FEMALE CIRCULAR COUPLING TO BLUNT	
DIMENSIONS: INCHES [METRIC]	<small>THIS DRAWING AND THE SUBJECT MATTER SHOWN THEREON ARE CONFIDENTIAL AND THE PROPRIETARY PROPERTY OF STEWART CONNECTOR AND SHALL NOT BE REPRODUCED, COPIED, OR USED IN ANY MANNER WITHOUT PRIOR WRITTEN CONSENT OF STEWART CONNECTOR. THIS PRODUCT MAY BE PROTECTED BY ONE OR MORE OF THE FOLLOWING US PATENTS: 5791942 6217391 6368159 6419526 6602097 687722 6964587 7048590 7086909 7568950 7686650 OTHER PATENTS MAY BE PENDING.</small>	DRN BY: GWL	DATE: 1/14/2021
UNLESS OTHERWISE SPECIFIED TOLERANCES ARE ±.005 [0.13] ANGLES ARE ± 1°		APPD BY: JE	DATE: 2/4/2021
SHEET NO. 1 OF 1		DWG NO: CT999239	REV. A1



X-ON Electronics

Largest Supplier of Electrical and Electronic Components

Click to view similar products for [USB Cables / IEEE 1394 Cables category](#):

Click to view products by [Bel Fuse manufacturer](#):

Other Similar products are found below :

[68768-0173](#) [FNY-W6003-01](#) [88764-0800](#) [148700-1](#) [17-200621](#) [17-250051P](#) [954](#) [17-200261](#) [AC102012-1](#) [AC102012-2](#) [FTP-629Y601](#) [45-1345-15](#) [45-1358-15](#) [45-1363-15](#) [IP-USB1\(C10\)S-RW](#) [CABLE/RTP/USB/DT](#) [45-1351-15](#) [45-1357-15](#) [45-1433-1](#) [687680278](#)
[USBFTVX2SA2N03A](#) [USBFTV2SA2N03A](#) [USBFTV2SA2N05A](#) [MDM9PH004B](#) [MDM9PH004P](#) [FTP-629Y401](#) [FTP-628Y302](#) [FTP-628Y402](#) [CSMNB9MF-5](#) [FNY-W6022](#) [UA-30AMF-SD7B03](#) [UA-30AMFM-SL7B03](#) [USBAPSCC7202A](#) [17-200641](#) [UES-1001A160](#) [UES-1003A160](#) [USBFTVX7SA2N20A](#) [USBFTV2PEMSA2N10A](#) [FTP-629Y602](#) [USBCAMCM100](#) [USB A/F*2 to 2.54 2*5P-SH L=400mm](#)
[68784-0075](#) [MINI-SCREW-USB-DATACABLE](#) [19800-010500-200-RS](#) [103-1092-BL-F0050](#) [103-1020-BL-00100](#) [103-1092-BL-F0200](#) [103-1092-BL-F0100](#) [105-1092-BL-00300](#) [105-1092-BL-00200](#)