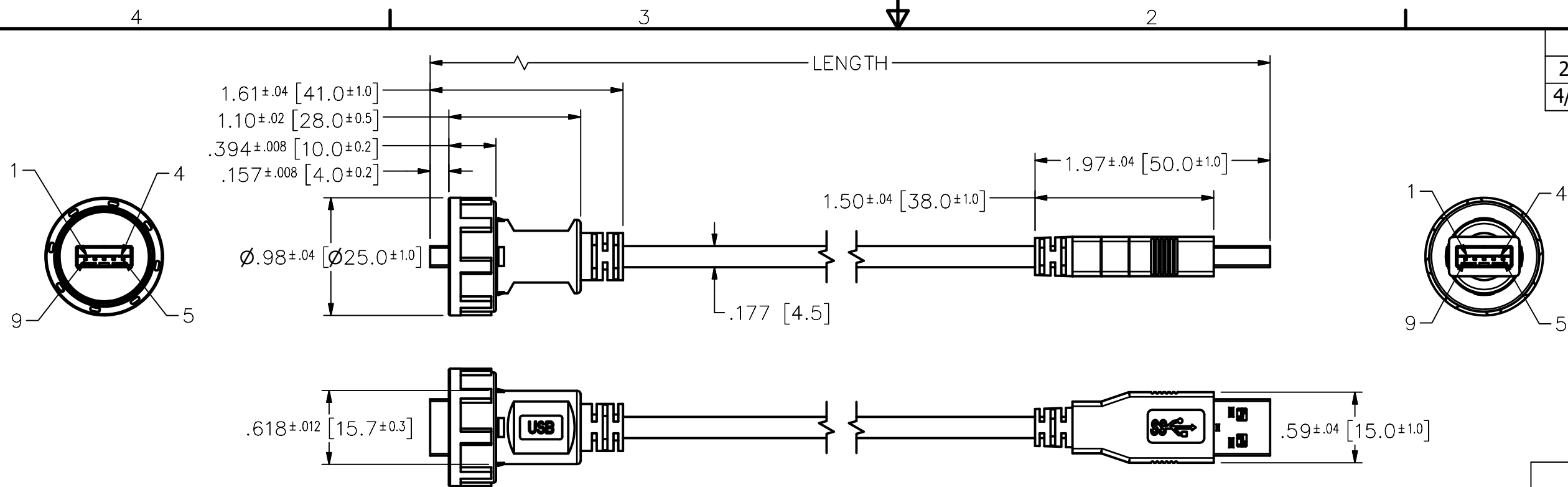
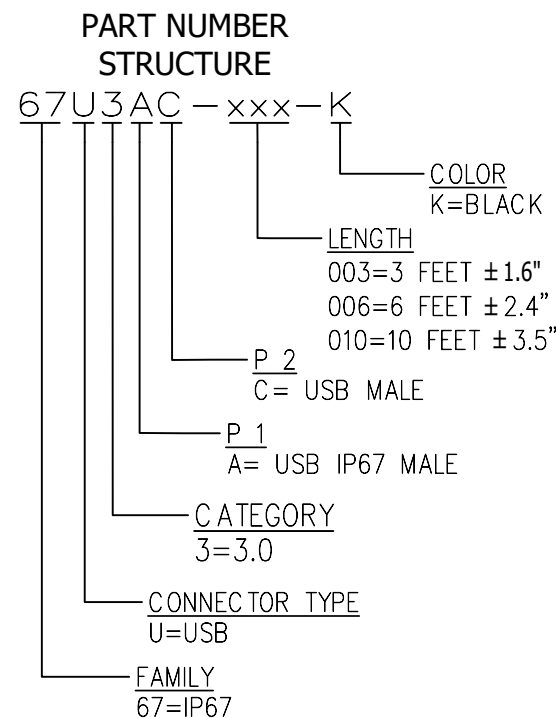


DATE	REV	ECN	APP'D BY
2/4/2021	A0		JE
4/23/2021	A1	11739	GL

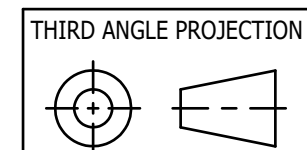


NOTES:

1. PACKAGING:
 - a. EACH CABLE ASSEMBLY TO BE INDIVIDUALLY BAGGED
2. TESTING:
 - a. 100% TESTED FOR OPEN/SHORTS/MISS WIRING
 - b. INSULATION RESISTANCE 10MΩ MIN/300V DC/0.01
 - c. CONDUCTOR RESISTANCE 3.0Ω MAX
3. MATERIAL:
 - a. CABLE: USB 3.0 A/F UL2725 1P+(30AWG*1P+D+AL)*2+26AWG*2C+AL+B, PVC COVER, COLOR BLACK.
 - b. USB 3.0 A/F AND A/M:
 - INSULATOR: PPT UL 94V-0, COLOR BLUE
 - METAL SHELL: COPPER ALLOY, NI PLATING
 - CONTACTS: COPPER ALLOY Au FLASH ON CONTACT AREA OVER Ni
 - c. OVERMOLD : PVC UL 94V-0 COLOR BLACK
 - d. INTERFACIAL SEAL: SILICONE, COLOR WHITE
 - e. COUPLING RING: PA66 UL94V-0 COLOR BLACK
4. SPECIFICATIONS:
 - a. WIRE SPEIFICATION 26/30 AWG
 - b. NUMBER OF CONTACTS: 9
 - c. TEMPERATURE RANGE -40~C~ 80~C
 - d. FLAMMABILIIY RATING: UL94-V0
 - e. PROTECTION LEVEL: IP67
 - f. WITHSTANDING VOLTAGE: 1000V/1 MIN
 - g. CURRENT RATING:1.5A
 - h. CONTACT RESISTANCE:≤ 30MΩ
 - ii. NSULATION RESISTANCE: 100MΩ DC500V



WIRE DIAGRAM		
P1	WIRE COLOR	P2
1	RED	1
2	WHITE	2
3	GREEN	3
4	BLACK	4
5	BLUE	5
6	YELLOW	6
7	GND	7
8	VIOLET	8
9	ORANGE	9
10	SHIELD BRAID	10



11118 Susquehanna Trail South
Glen Rock, PA 17327-9199
(717) 235-7512
<http://www.stewartconnector.com>

DO NOT SCALE DRAWING
DRAWING IS SUBJECT TO
CHANGE WITHOUT NOTICE

TITLE: **USB 3.0 TYPE A MALE (CIRCULAR COUPLING) TO USB 3.0 TYPE A MALE**

DIMENSIONS: INCHES [METRIC]
UNLESS OTHERWISE SPECIFIED
TOLERANCES ARE ±.005 [0.13]
ANGLES ARE ± 1°

THIS DRAWING AND THE SUBJECT MATTER SHOWN THEREON ARE CONFIDENTIAL AND THE PROPRIETARY PROPERTY OF STEWART CONNECTOR AND SHALL NOT BE REPRODUCED, COPIED, OR USED IN ANY MANNER WITHOUT PRIOR WRITTEN CONSENT OF STEWART CONNECTOR. THIS PRODUCT MAY BE PROTECTED BY ONE OR MORE OF THE FOLLOWING US PATENTS:
5628647 6402559 6409535 6524128
7753717 8033863
OTHER PATENTS MAY BE PENDING.

DRN BY: G. LUCAS	DATE: 1/22/2021
APPD BY: JE	DATE: 2/4/2021
DWG NO: CT999246	REV: A1

SHEET NO.
1 OF 1



CT Plug

Inventor

X-ON Electronics

Largest Supplier of Electrical and Electronic Components

Click to view similar products for [USB Cables / IEEE 1394 Cables](#) category:

Click to view products by [Bel Fuse](#) manufacturer:

Other Similar products are found below :

[68768-0173](#) [FNY-W6003-01](#) [88764-0800](#) [148700-1](#) [17-200621](#) [17-250051P](#) [954](#) [17-200261](#) [AC102012-1](#) [AC102012-2](#) [FTP-629Y601](#) [45-1345-15](#) [45-1358-15](#) [45-1363-15](#) [IP-USB1\(C10\)S-RW](#) [CABLE/RTP/USB/DT](#) [45-1351-15](#) [45-1357-15](#) [45-1433-1](#) [687680278](#)
[USBFTVX2SA2N03A](#) [USBFTV2SA2N03A](#) [USBFTV2SA2N05A](#) [MDM9PH004B](#) [MDM9PH004P](#) [FTP-629Y401](#) [FTP-628Y302](#) [FTP-628Y402](#) [CSMNB9MF-5](#) [FNY-W6022](#) [UA-30AMF-SD7B03](#) [UA-30AMFM-SL7B03](#) [USBAPSCC7202A](#) [17-200641](#) [UES-1001A160](#) [UES-1003A160](#) [USBFTVX7SA2N20A](#) [USBFTV2PEMSA2N10A](#) [FTP-629Y602](#) [USBCAMCM100](#) [USB A/F*2 to 2.54 2*5P-SH L=400mm](#)
[68784-0075](#) [MINI-SCREW-USB-DATACABLE](#) [19800-010500-200-RS](#) [103-1092-BL-F0050](#) [103-1020-BL-00100](#) [103-1092-BL-F0200](#) [103-1092-BL-F0100](#) [105-1092-BL-00300](#) [105-1092-BL-00200](#)