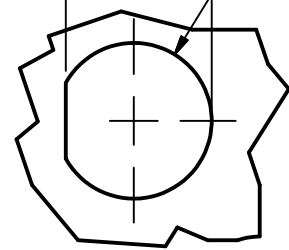
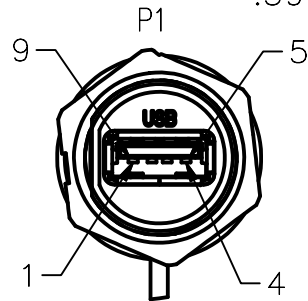


| DATE | REV | ECN | APP'D BY |
|-----------|-----|-------|----------|
| 2/4/2021 | A0 | | JE |
| 4/23/2021 | A1 | 11739 | GL |

.760±.008 [19.3±0.2]
 Ø.811±.008 [Ø20.6±0.2]



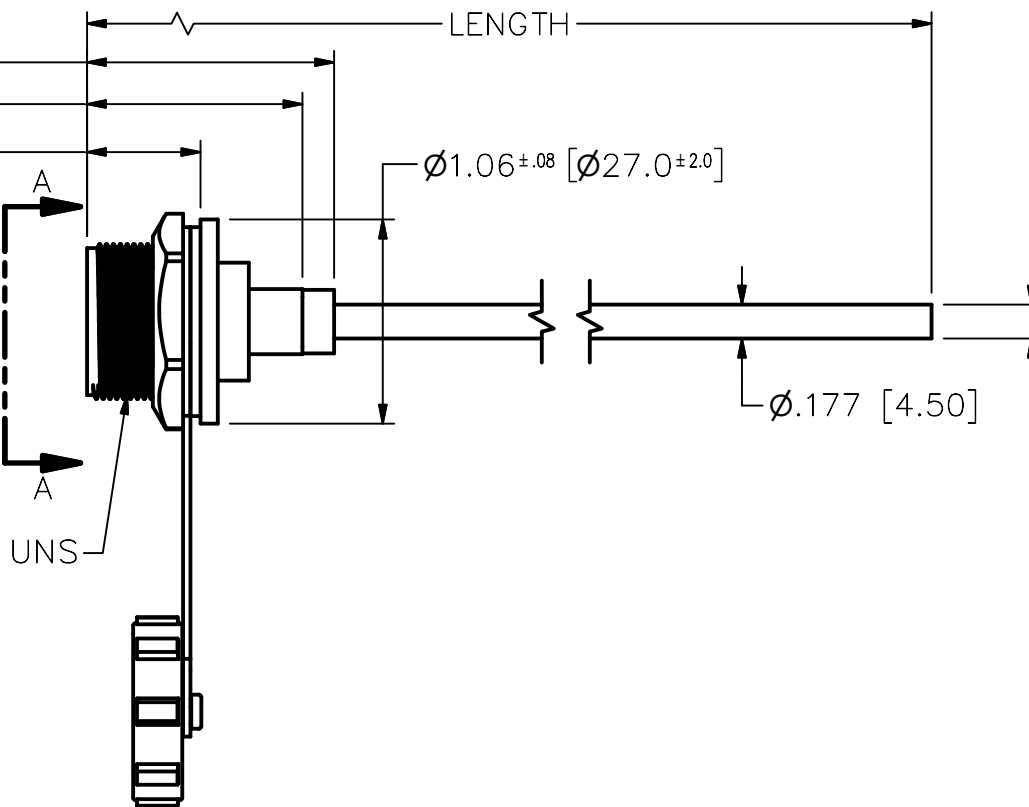
RECOMENDED PANEL
OPENING



VIEW A-A
SCALE 1 : 1

1.29±.04 [32.7±1.0]
 1.122±.012 [28.5±0.3]
 .591±.012 [15.0±0.3]

13/16-28 UNS



| WIRE DIAGRAM | | |
|--------------|--------------|----|
| P1 | WIRE COLOR | P2 |
| 1 | RED | |
| 2 | WHITE | |
| 3 | GREEN | |
| 4 | BLACK | |
| 5 | BLUE | |
| 6 | YELLOW | |
| 7 | GND | |
| 8 | VIOLET | |
| 9 | ORANGE | |
| 10 | SHIELD BRAID | |

NOTES:

1. PACKAGING:
 - a. EACH CABLE ASSEMBLY TO BE INDIVIDUALLY BAGGED
2. MATERIAL:
 - a. CABLE: USB 3.0 A/F UL2725 1P+(30AWG*1P+D+AL)*2+26AWG*2C+AL+B, PVC COVER, COLOR BLACK.
 - b. USB 3.0 A/F
 - INSULATOR: PPT UL 94V-0, COLOR BLUE
 - METAL SHELL: COPPER ALLOY, NI PLATING
 - CONTACTS: COPPER ALLOY Au FLASH ON CONTACT AREA OVER NI
 - c. OVERMOLD : PVC UL 94V-0 COLOR BLACK
 - d. HOUSING: PA66 UL94V-0 COLOR BLACK
 - e. GASKET: SILICONE, COLOR BLACK
 - f. SCREW NUT: PA66 UL94V-0 COLOR BLACK
 - g. DUST CAP: PA66 UL94V-0 COLOR BLACK
 - h. DUST CAP GASKET: SILICONE
3. SPECIFICATIONS:
 - a. WIRE SPEIFICATION 26/30 AWG
 - b. NUMBER OF CONTACTS: 9
 - c. TEMPERATURE RANGE -40~C~ 80~C
 - d. FLAMMABILIIY RATING: UL94-V0
 - e. PROTECTION LEVEL: IP67
 - f. WITHSTANDING VOLTAGE: 1000V/1 MIN
 - g. CURRENT RATING:1.5A
 - h. CONTACT RESISTANCE:≤ 30MΩ
 - ii. NSULATION RESISTANCE: 100MΩ DC500V

PART NUMBER
STRUCTURE

67U3BD-xxx-K

COLOR
K=BLACK

LENGTH
003=3 FEET ±1.6"
006=6 FEET ±2.4"

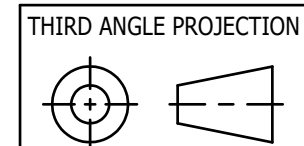
P 2
D= BLUNT

P 1
B= USB IP67 FEMALE

CATEGORY
3=3.0

CONNECTOR TYPE
U=USB

FAMILY
67=IP67



DO NOT SCALE DRAWING
DRAWING IS SUBJECT TO
CHANGE WITHOUT NOTICE

DIMENSIONS: INCHES [METRIC]
UNLESS OTHERWISE SPECIFIED
TOLERANCES ARE ±.005 [0.13]
ANGLES ARE ± 1°

SHEET NO.
1 OF 1



11118 Susquehanna Trail South
Glen Rock, PA 17327-9199
(717) 235-7512
<http://www.stewartconnector.com>

TITLE: USB 3.0 TYPE A FEMALE (CIRCULAR COUPLING) TO BLUNT

THIS DRAWING AND THE SUBJECT MATTER SHOWN THEREON ARE CONFIDENTIAL AND THE PROPRIETARY PROPERTY OF STEWART CONNECTOR AND SHALL NOT BE REPRODUCED, COPIED, OR USED IN ANY MANNER WITHOUT PRIOR WRITTEN CONSENT OF STEWART CONNECTOR. THIS PRODUCT MAY BE PROTECTED BY ONE OR MORE OF THE FOLLOWING US PATENTS: 5791942 6217391 6368159 6419526 6602097 687722 6964587 7048590 7086909 7568950 7686650 OTHER PATENTS MAY BE PENDING.

| | |
|----------------------------|---------------------------|
| DRN BY: G. LUCAS | DATE: 1/20/2021 |
| APPD BY: JE | DATE: 2/4/2021 |
| DWG NO: CT999241 | REV: A1 |



CT Jack

Inventor

X-ON Electronics

Largest Supplier of Electrical and Electronic Components

Click to view similar products for [USB Cables / IEEE 1394 Cables](#) category:

Click to view products by [Bel Fuse](#) manufacturer:

Other Similar products are found below :

[68768-0173](#) [FNY-W6003-01](#) [88764-0800](#) [148700-1](#) [17-200621](#) [17-250051P](#) [954](#) [17-200261](#) [AC102012-1](#) [AC102012-2](#) [FTP-629Y601](#) [45-1345-15](#) [45-1358-15](#) [45-1363-15](#) [IP-USB1\(C10\)S-RW](#) [CABLE/RTP/USB/DT](#) [45-1351-15](#) [45-1357-15](#) [45-1433-1](#) [687680278](#)
[USBFTVX2SA2N03A](#) [USBFTV2SA2N03A](#) [USBFTV2SA2N05A](#) [MDM9PH004B](#) [MDM9PH004P](#) [FTP-629Y401](#) [FTP-628Y302](#) [FTP-628Y402](#) [CSMNB9MF-5](#) [FNY-W6022](#) [UA-30AMF-SD7B03](#) [UA-30AMFM-SL7B03](#) [USBAPSCC7202A](#) [17-200641](#) [UES-1001A160](#) [UES-1003A160](#) [USBFTVX7SA2N20A](#) [FTP-629Y602](#) [USBCAMCM100](#) [USB A/F*2 to 2.54 2*5P-SH L=400mm](#) [68784-0075](#) [MINI-SCREW-USB-DATACABLE](#) [19800-010500-200-RS](#) [103-1092-BL-F0050](#) [103-1020-BL-00100](#) [103-1092-BL-F0200](#) [103-1092-BL-F0100](#) [105-1092-BL-00300](#) [105-1092-BL-00200](#) [105-1031-BL-00200](#)