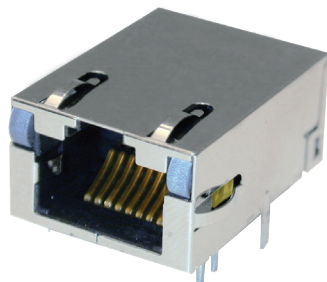
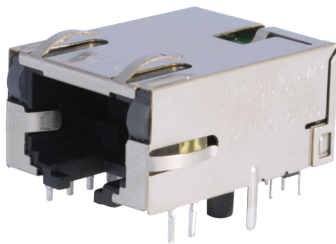


Automotive Ethernet ICMs

Single Port 10/100BaseT and 1GBaseT MagJack® ICMs

Bel Magnetic Solutions' Automotive Ethernet ICM's allow customers to upgrade existing CAN bus signaling with Ethernet signaling and cabling styles for features like driver-assist radar, infotainment, cameras and programmable lighting.

Ethernet is both faster in transmission speed and lighter in cable weight – driving the current trend of innovation and cost reductions in next generation vehicles. Bel's Automotive Ethernet ICM's are the first SAE/USCAR2-6 compatible products in production – offering an operating temperature range up to 100°, along with vibration withstand and sealing requirements.



Features & Benefits

- SAE/USCAR2-6 compatible
- Operating temperature range up to 100°C
- Approved by Marvell, Intel and Broadcom
- Can be used in Automotive-Ethernet applications
- Compatible with standard automotive-grade transceivers for worry-free use

Specifications

- Meets all IEEE 802.3 10/100Base-T electrical requirements including RL, IL, Hi-pot and Common Mode parameters
- Operating temperature range of -40°C to 100°C
- SAE/USCAR2-6 compatible temperature range, vibration withstand and sealing requirements
- 100% Hi-pot tested in production
- Low halogen design
- UL recognized
- 50 micro-inches of gold-plated contacts as required by the TIA 1096/ FCC 47, Part 68
- Lead-free wave-solder compatible
- RoHS 6/6 compliant



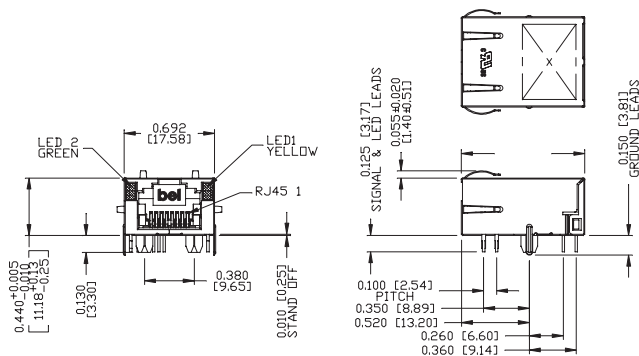
Applications

- Automotive Ethernet
- IEEE 802.3bp and related standards
- Automotive based media converters
- Automotive based Ethernet gateways
- Automotive based multiplexers
- RJ45 connectors compatible with the SAE/USCAR2-6 requirements
- High-temperature applications where the operating temperature can reach a maximum of 100°C

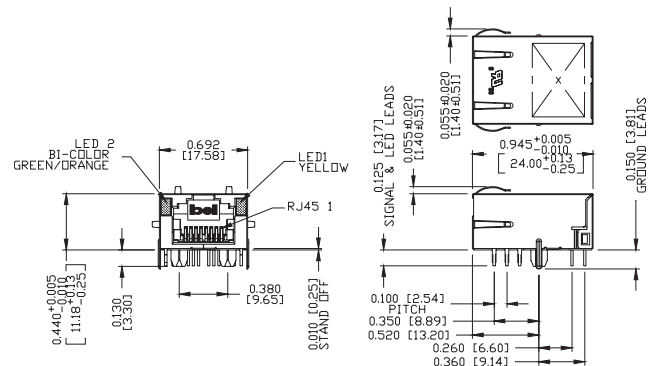
Part Numbers

Bel Part Number	Speed	Plug Tab	Port Count	Operating Temperature	LED Type
A829-1A1T-91B	10/100Base-T	Up	1x1	-40 to 100°C	Y/G
A836-1A1T-91B	10/100Base-T	Down	1x1	-40 to 100°C	Y/G
A829-1J1T-KM	1GBase-T	Up	1x1	-40 to 100°C	Y/GO
2250548-1	1GBase-T	Up	1x1	-40 to 100°C	Y/GO

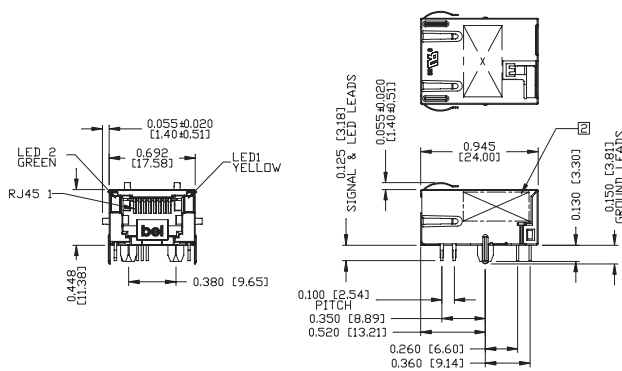
A829-1A1T-91B



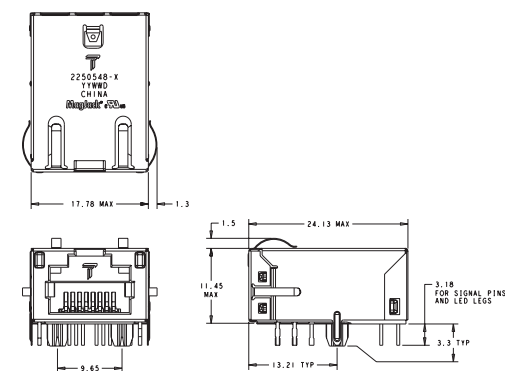
A829-1J1T-KM



A836-1A1T-91B



2250548-1



Bel Magnetic Solutions
12700 Stowe Drive, Suite 200
Poway, CA 92064 USA

+1 858.676.9650
techhelp@belf.com
belfuse.com/magnetic-solutions

X-ON Electronics

Largest Supplier of Electrical and Electronic Components

Click to view similar products for [Modular Connectors / Ethernet Connectors](#) category:

Click to view products by [Bel Fuse](#) manufacturer:

Other Similar products are found below :

[8949-H88/06BLKA/SN](#) [74441-0010/BKN](#) [MP1010RX-1000](#) [MP44RX-1000](#) [PHJ-4P4C-1-V-4](#) [PHP-6P6C-5](#) [GAX-3-66](#) [GAX-8-62](#) [GDCX-PA-66-50](#) [GDCX-PN-64](#) [GDCX-PN-66](#) [GDCX-PN-66-50](#) [GDLX-A-66](#) [GDLX-N-66](#) [GDLX-S-66](#) [GDLX-S-88K](#) [GDLX-SMT-S-88](#) [GDTX-S-88-50](#) [GDX-PA-1010](#) [GLX-N-1010M-BLK](#) [GLX-S-88M-BLK](#) [GMX-N-1010](#) [GMX-S-1010](#) [GMX-S-66](#) [GMX-SMT4-N-88](#) [GPX-2-64](#) [GSGX-N-2-88](#) [GSGX-N-4-88](#) [GSX-NS2-88-3.05](#) [GSX-NS2-88-3.05-50](#) [GSX-NS-88-3.05-50](#) [PT-108A-8C-UL](#) [PT-J951-8C](#) [PTS-J531-8CS-50UL](#) [1-1775629-2](#) [A-2014-0-4](#) [GWLX-S-88-GR](#) [GWLX-S9-88-YG](#) [DC-1021-8-WH-6](#) [1300530003](#) [1324640-4](#) [RJ11FTVC2G](#) [RJ11FTVC2N](#) [RJFTVX2SA1G](#) [132764-001](#) [1413235](#) [MP88X-1000](#) [MPS88RX-5000](#) [E5288-S000K3-L](#) [E5908-15A242-L](#)