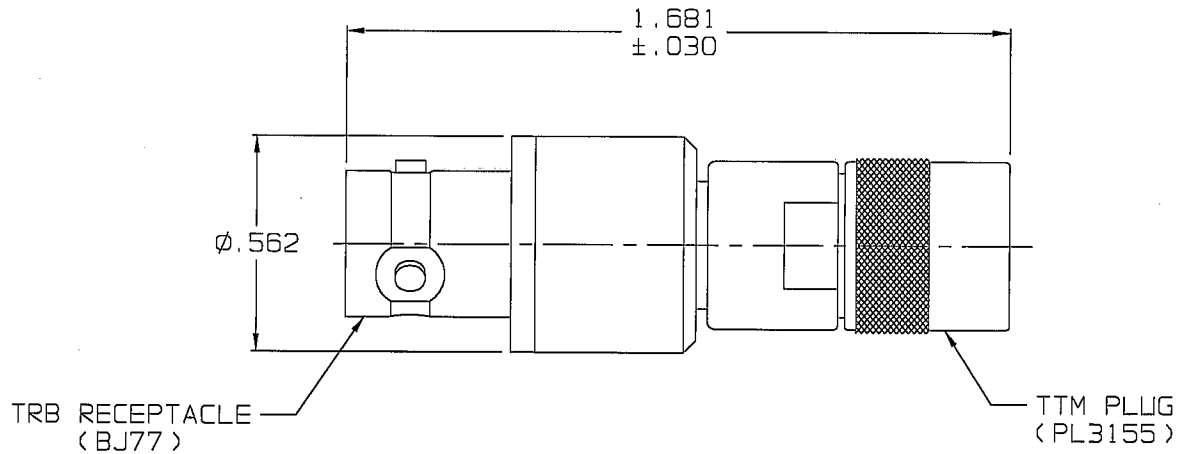
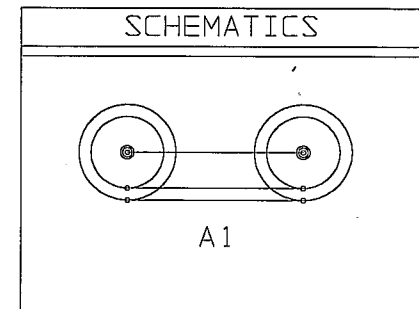


DATA CONTAINED IN THIS DOCUMENT IS PROPRIETARY TO TROMPETER ELECTRONICS INC. AND SHALL NOT BE DISCLOSED, COPIED OR USED FOR PROCUREMENT OR MANUFACTURE WITHOUT EXPRESS WRITTEN PERMISSION OF TROMPETER ELECTRONICS INC.

| REVISIONS |                       | 5-0010  | SH 1     |
|-----------|-----------------------|---------|----------|
| REV       | DESCRIPTION           | DATE    | APPROVED |
| C         | REVISED PER ECD 15534 | 7/19/04 | WJ       |



RED INDICATES ORIGINAL



3. ALL MATERIALS MEET THE OUTGASSING REQUIREMENTS OF NASA SPECIFICATION SP-R-0022A AND THE REQUIREMENTS OF TEI'S SPECIFICATION TT-09
2. BETWEEN SERIES ADAPTER TRB STYLE RECEPTACLE TO TTM STYLE PLUG SPACE RATED
1. FINISH: TFS-1A (NICKEL)

|  |                 |  |  |
|--|-----------------|--|--|
| INTERPRET DRAWING PER MIL-STD-100 DIMENSIONS ARE IN INCHES AND INCLUDE FINISH THICKNESS UNLESS OTHERWISE SPECIFIED |                 | TOL: UNLESS SPECIFIED<br>.XX ±.003<br>.XXX ±.003<br>.XXXX ±.0010<br>ANGLES ±0° 30' |  |
| DRAWN<br>H.M.  | DATE<br>7-15-04 | MATERIAL:  |  |
| CHECKED<br>WJ  | DATE<br>7/15/04 | FINISH:  |  |
| APPROVED<br>WJ   | DATE<br>7/19/04 |  |  |
| CAD FILE NO.<br>5-0010C  |                 | DO NOT SCALE DWG   |  |



|   |                           |                       |           |
|---|---------------------------|-----------------------|-----------|
| TITLE:<br>ADBJ77-A1-PL3155<br>SPACE RATED |                           |                       |           |
| SIZE<br><b>A</b>                          | CAGE CODE<br><b>14949</b> | DRAWING NO.<br>5-0010 | REV.<br>C |
| SCALE<br>2/1                              | DATE:<br>1-12-04          | SHEET<br>1C           |           |

NEXT ASSY

## X-ON Electronics

Largest Supplier of Electrical and Electronic Components

*Click to view similar products for [RF Adapters - Between Series category:](#)*

*Click to view products by [Bel Fuse manufacturer:](#)*

Other Similar products are found below :

[5945-9503-000](#) [MCX/F-SMA/M](#) [R192417010](#) [ADBJ20-E1-BJ379](#) [ADM2](#) [ADPL75-A1-PL75](#) [242191](#) [9317505](#) [29-3835P](#) [AD130](#) [ADBJ20-E1-PL74](#) [ADBJ20-E2-BJ79](#) [ADBJ77-A1-PL375](#) [ADBJ77-E1-UPL20](#) [ADRMF370](#) [242215](#) [242228](#) [R125680000W](#) [R192430000](#) [UAD95](#) [1057367-1](#) [8311505](#) [R114704000](#) [R451034500](#) [R451030500](#) [R451543000](#) [HDVDPN](#) [ADBJ20-K1-PL20](#) [R451570000](#) [R451034000](#) [J9](#) [J3WE-5](#) [R451032500](#) [242201RP](#) [17K132-K00S5](#) [AD-RSMAF-RTNC](#) [53K156-K00N5](#) [02K119-K00E3](#) [29S132-K01N5](#) [53S156-K00N5](#) [02S119-S00E3](#) [28K132-K00N5](#) [02S109-K00S3](#) [27-8200TP](#) [242235](#) [ADBJ20-E1-BJ89](#) [000-2900](#) [321-102-003 \(SMA-50/2-H155/W1.03 AU\)](#) [1057377-1](#) [321-350-001 \(SMA-50-R/2-RG316/N2.01\)](#)