

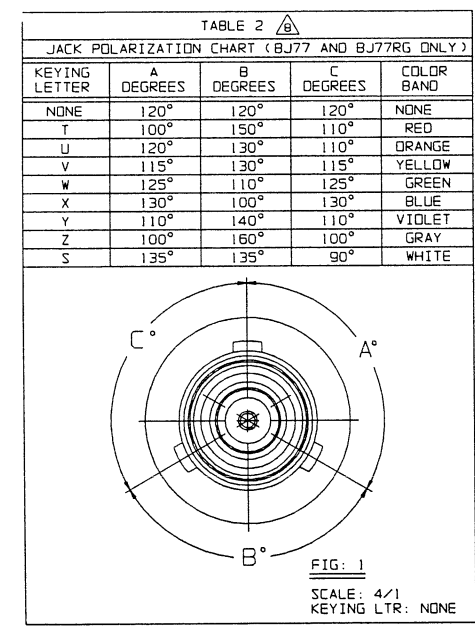
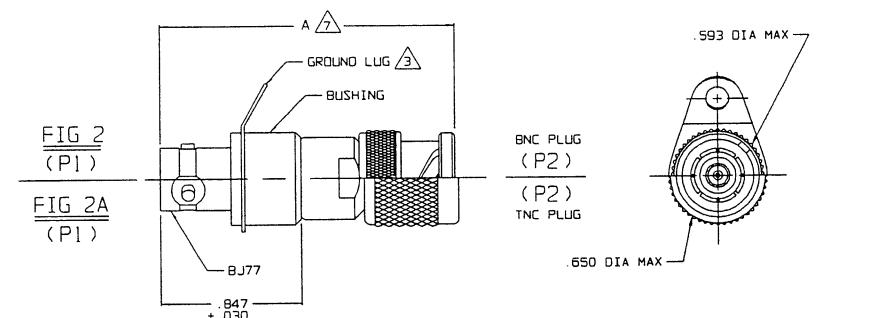
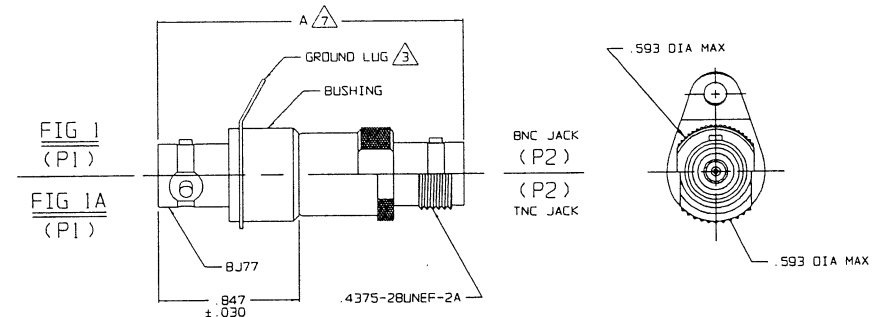
DATA CONTAINED IN THIS DOCUMENT IS PROPRIETARY TO TROMPETER ELECTRONICS INC. AND SHALL NOT BE DISCLOSED, COPIED OR USED FOR PROCUREMENT OR MANUFACTURE WITHOUT EXPRESS WRITTEN PERMISSION OF TROMPETER ELECTRONICS INC.

REVISIONS

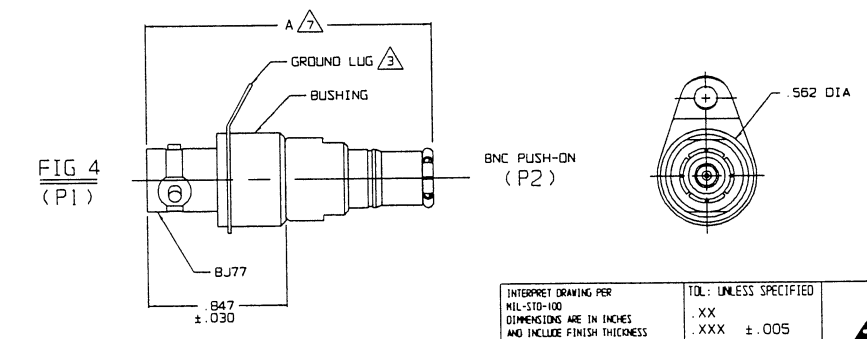
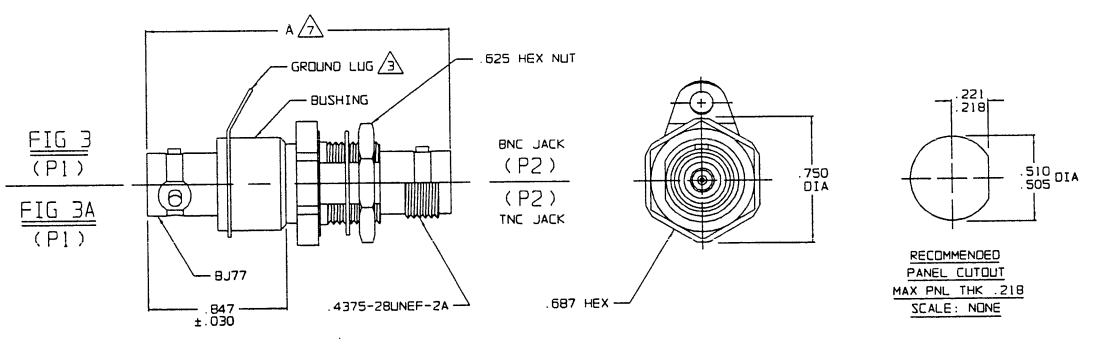
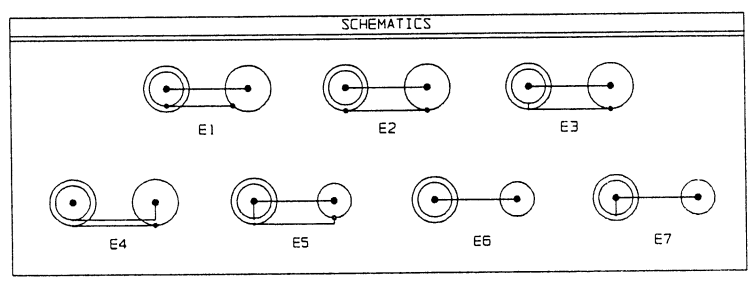
Table with columns: REV, DESCRIPTION, DATE, APPROVED. Includes revision L for ECO 55773 dated 7/28/15.

TABLE 1: P1 CONN TYPE Schematics table with columns for P2 Conn Type, A Ref Dim, Fig No, and various schematic dash numbers (E1-E6).

RED INDICATES ORIGINAL



- 6. POLARIZATION OPTIONAL ONLY ON BJ77 AND BJ77RG. SEE TABLE 2
7. ADD .020 TO "A" DIM FOR ADAPTERS WITH "G" PREFIX
6. EXAMPLE OF COMPLETE PART NO: 22-01-G 1-X
5. EXAMPLE OF COMPLETE MODEL NO: AD-BJ77RGX-E1-U CJ20
4. BETWEEN SERIES ADAPTERS: 2-LUG, 3-LUG, 4-LUG AND THREEADED CONCENTRIC TWINAX/TRIAX BNC TYPE TO COAXIAL 50 & 75 OHM BNC/TNC & PUSH-ON PLUG/JACK
3. FOR OPTIONAL GROUND LUG ADD PREFIX "G" TO DASH NO
2. FINISH TFS-1A (NICKEL)
1. ALL DIM ARE IN INCHES



TROMPETER ELECTRONICS, INC. logo and technical drawing header with fields for DRAWN, DATE, MATERIAL, FINISH, SIZE, CAGE CODE, DRAWING NO., REV., SCALE, DATE, SHEET.

## X-ON Electronics

Largest Supplier of Electrical and Electronic Components

*Click to view similar products for [RF Adapters - Between Series category:](#)*

*Click to view products by [Bel Fuse manufacturer:](#)*

Other Similar products are found below :

[5945-9503-000](#) [MCX/F-SMA/M](#) [R192417010](#) [ADBJ20-E1-BJ379](#) [ADM2](#) [ADPL75-A1-PL75](#) [242191](#) [9317505](#) [29-3835P](#) [AD130](#) [ADBJ20-E1-PL74](#) [ADBJ20-E2-BJ79](#) [ADBJ77-E1-UPL20](#) [ADRMF370](#) [242215](#) [242228](#) [R125680000W](#) [R192430000](#) [UAD95](#) [1057367-1](#) [8311505](#) [R114704000](#) [R451034500](#) [R451030500](#) [R451543000](#) [HDVDPN](#) [ADBJ20-K1-PL20](#) [R451570000](#) [R192419000](#) [R451034000](#) [J9](#) [J3WE-5](#) [R451032500](#) [242201RP](#) [17K132-K00S5](#) [AD-RSMAF-RTNC](#) [53K156-K00N5](#) [02K119-K00E3](#) [29S132-K01N5](#) [53S156-K00N5](#) [02S119-S00E3](#) [28K132-K00N5](#) [02S109-K00S3](#) [27-8200TP](#) [242235](#) [ADBJ20-E1-BJ89](#) [000-2900](#) [321-102-003 \(SMA-50/2-H155/W1.03 AU\)](#) [1057377-1](#) [321-350-001 \(SMA-50-R/2-RG316/N2.01\)](#)