

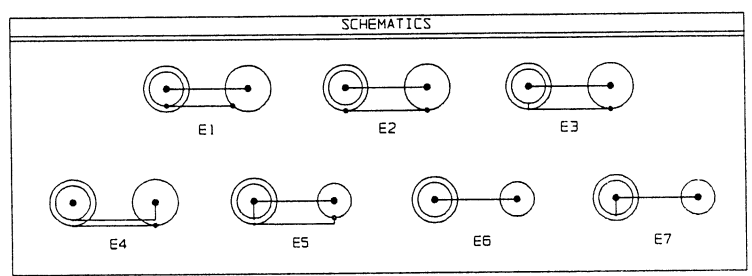
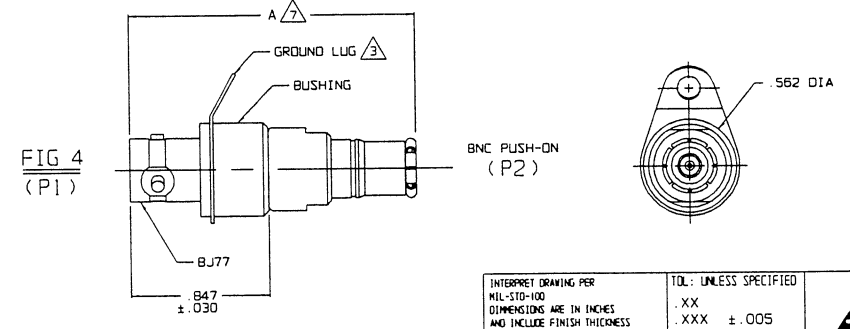
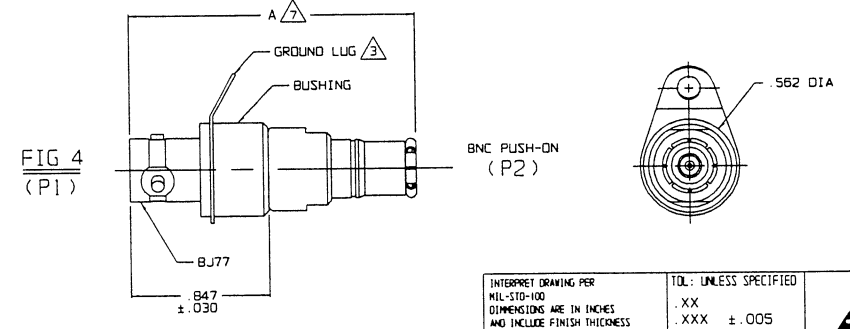
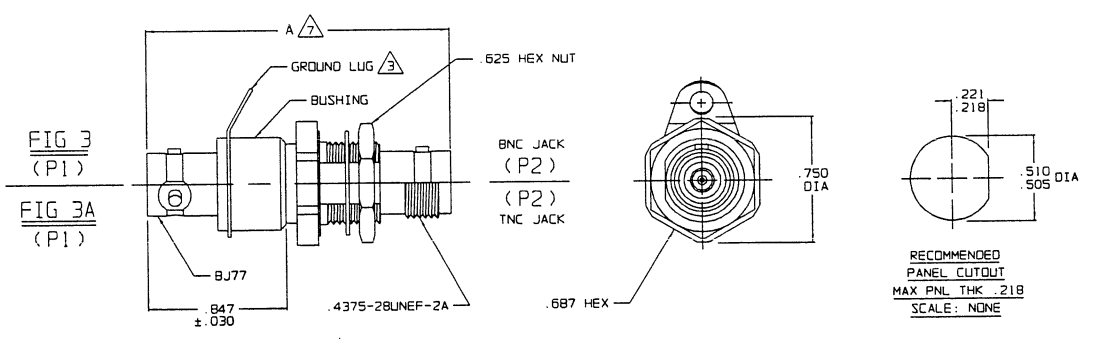
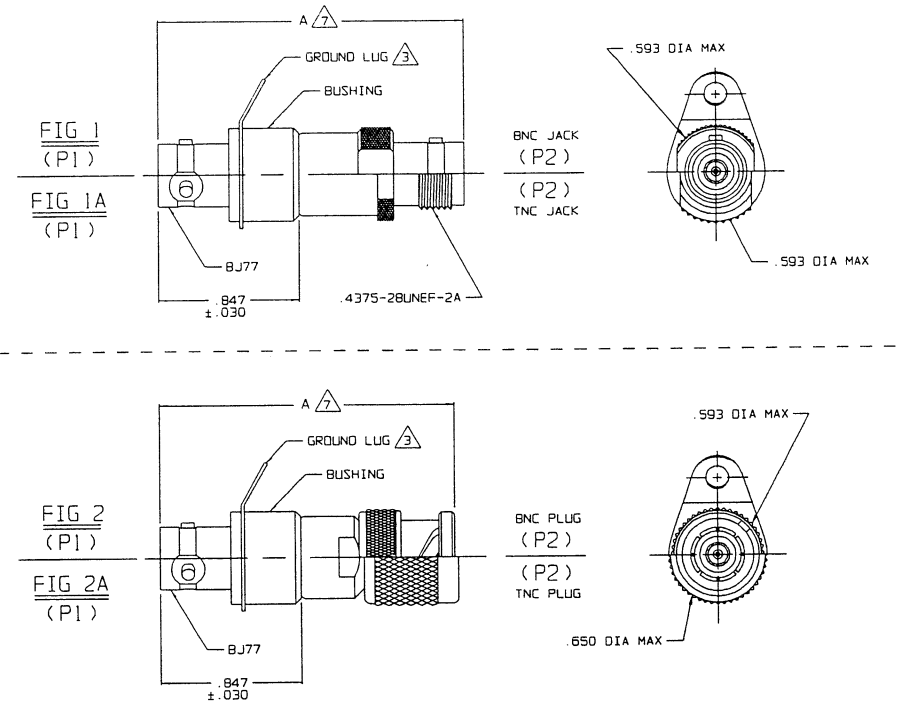
DATA CONTAINED IN THIS DOCUMENT IS PROPRIETARY TO TROMPETER ELECTRONICS INC AND SHALL NOT BE DISCLOSED, COPIED OR USED FOR PROCUREMENT OR MANUFACTURE WITHOUT EXPRESS WRITTEN PERMISSION OF TROMPETER ELECTRONICS INC.

REVISIONS table with columns: REV, DESCRIPTION, DATE, APPROVED. Rows include REV K (REVISED PER ECO 15124) and REV L (ECO 55773).

TABLE 1: P1 CONN TYPE table with columns for P2 CONN TYPE, A REF DIM, FIG NO, and various connector types (BJ77, BJ77TL, BJ77FL, BJ377, BJ77RG).

TABLE 2 (A): JACK POLARIZATION CHART (BJ77 AND BJ77RG ONLY). Includes a circular diagram showing keying angles and a color band legend.

RED INDICATES ORIGINAL



- Technical notes and examples: 1. ALL DIM ARE IN INCHES; 2. FINISH TFS-1A (NICKEL); 3. FOR OPTIONAL GROUND LUG ADD PREFIX 'G' TO DASH NO; 4. BETWEEN SERIES ADAPTERS...; 5. EXAMPLE OF COMPLETE MODEL NO.; 6. EXAMPLE OF COMPLETE PART NO.

Technical drawing header and footer containing: INTERPRET DRAWING PER MIL-STD-100, TOL: UNLESS SPECIFIED, TROMPETER ELECTRONICS, INC., TITLE: ADAPTER: BJ77, BJ77RG/B, BJT77TL, BJ77FL, BJ377 TO BNC/TNC SERIES, DATE: 7-22-03, DRAWING NO: 22-01.

X-ON Electronics

Largest Supplier of Electrical and Electronic Components

Click to view similar products for [RF Adapters - Between Series category:](#)

Click to view products by [Bel Fuse manufacturer:](#)

Other Similar products are found below :

[5945-9503-000](#) [MCX/F-SMA/M](#) [R192417010](#) [ADBJ20-E1-BJ379](#) [ADM2](#) [ADPL75-A1-PL75](#) [242191](#) [9317505](#) [29-3835P](#) [AD130](#) [ADBJ20-E1-PL74](#) [ADBJ20-E2-BJ79](#) [ADBJ77-A1-PL375](#) [ADBJ77-E1-UPL20](#) [ADRMF370](#) [242215](#) [242228](#) [R125680000W](#) [R192430000](#) [UAD95](#)
[1057367-1](#) [8311505](#) [R114704000](#) [R451034500](#) [R451030500](#) [R451543000](#) [HDVDPN](#) [ADBJ20-K1-PL20](#) [R451570000](#) [R451034000](#) [J9](#)
[J3WE-5](#) [R451032500](#) [242201RP](#) [17K132-K00S5](#) [AD-RSMAF-RTNC](#) [53K156-K00N5](#) [02K119-K00E3](#) [29S132-K01N5](#) [53S156-K00N5](#)
[02S119-S00E3](#) [28K132-K00N5](#) [02S109-K00S3](#) [27-8200TP](#) [242235](#) [ADBJ20-E1-BJ89](#) [000-2900](#) [321-102-003 \(SMA-50/2-H155/W1.03 AU\)](#)
[1057377-1](#) [321-350-001 \(SMA-50-R/2-RG316/N2.01\)](#)