

# RED INDICATES ORIGINAL

QWG SIZE  
C

DATA CONTAINED IN THIS DOCUMENT IS PROPRIETARY TO TROMPETER ELECTRONICS INC. AND SHALL NOT BE DISCLOSED, COPIED OR USED FOR REPRODUCTION OR MANUFACTURE WITHOUT EXPRESS WRITTEN PERMISSION.

REVISIONS			12-01	SH 1
REV	ED	DESCRIPTION	OWN	APPROVED
J	11194	ADDED CJ70TL, -201 THRU -220; ADDED ITEM 34; SEE ECO	DKC	Bmi; Fw

P2 CONN TYPE	FIG NO	P1 CONN TYPE																			
		BJ20					UBJ20					BJ40					UBJ40				
		SCHEMATICS																			
		E1	E2	E3	E4	E5	E1	E2	E3	E4	E5	E1	E2	E3	E4	E5	E1	E2	E3	E4	E5
		DASH NUMBERS																			
BJ74	1A	-1	-2	-3	-4	-189	-5	-6	-7	-8	-170	-9	-10	-11	-12	-171	-13	-14	-15	-16	-172
BJ74TL	1A	-17	-18	-19	-20	-173	-21	-22	-23	-24	-174	-25	-26	-27	-28	-175	-29	-30	-31	-32	-176
BJ74FL	1A	-33	-34	-35	-36	-177	-37	-38	-39	-40	-178	-41	-42	-43	-44	-179	-45	-46	-47	-48	-180
BJ74	1B	-40	-50	-51	-52	-181	-53	-54	-55	-56	-182	-57	-58	-59	-60	-183	-61	-62	-63	-64	-184
BJ79	2A	-65	-66	-67	-68	-185	-69	-70	-71	-72	-186	-73	-74	-75	-76	-187	-77	-78	-79	-80	-188
BJ79TL	2A	-81	-82	-83	-84	-189	-85	-86	-87	-88	-190	-89	-90	-91	-92	-191	-93	-94	-95	-96	-192
BJ79FL	2A	-97	-98	-99	-100	-193	-101	-102	-103	-104	-194	-105	-106	-107	-108	-195	-109	-110	-111	-112	-196
BJ379	2B	-113	-114	-115	-116	-197	-117	-118	-119	-120	-198	-121	-122	-123	-124	-199	-125	-126	-127	-128	-200
C.170	3A	-129	-130	-131	-132	-133	-134	-135	-136	-137	-138	-139	-140	-141	-142	-143	-144	-145	-146	-147	-148
C.1970	3B	-149	-150	-151	-152	-153	-154	-155	-156	-157	-158	-159	-160	-161	-162	-163	-164	-165	-166	-167	-168
CJ70TL	3A	-201	-202	-203	-204	-205	-206	-207	-208	-209	-210	-211	-212	-213	-214	-215	-216	-217	-218	-219	-220

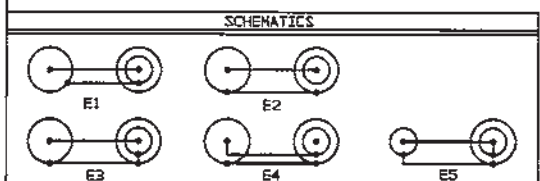


FIG 1A (P1)  
-1 SHOWN  
-57 SHOWN  
FIG 1B (P1)

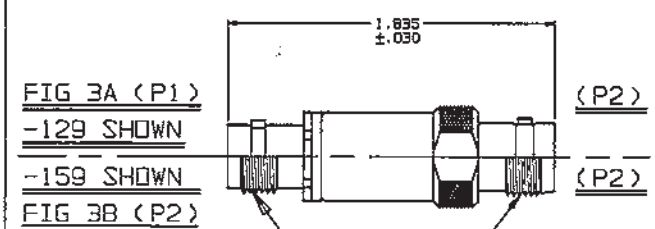
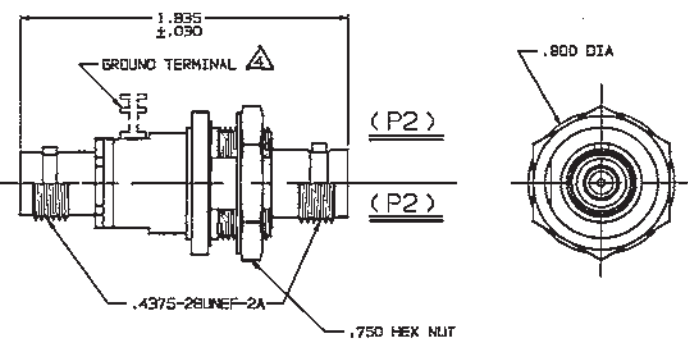
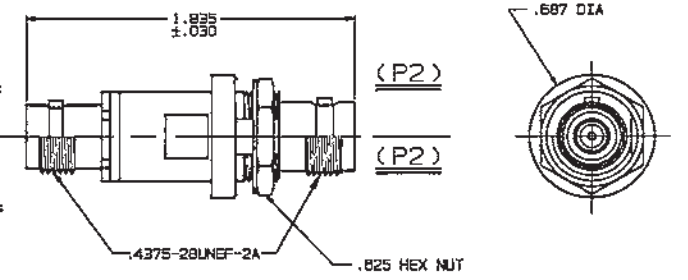
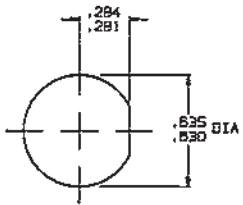


FIG 2A (P1)  
-65 SHOWN  
-121 SHOWN  
FIG 2B (P1)

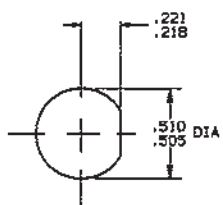


INCH	MM
.005	0.13
.030	0.76
.109	2.77
.140	3.56
.218	5.54
.221	5.61
.281	7.14
.284	7.21
.505	12.83
.510	12.85
.593	15.06
.625	15.88
.830	21.00
.835	21.13
.897	22.75
.750	19.05
.800	20.32
1.835	46.81

- △ FOR OPTIONAL GROUND TERMINAL ADD PREFIX "G" TO DASH NO (-G1 ETC)
- BETWEEN SERIES ADAPTER, 50 & 75 OHM BNC/TNC COAXIAL JACK TO CONCENTRIC TWINAX/TRIAX INSULATED & NONINSULATED BULKHEAD MOUNT JACK
  - FINISH: TFS-1A (NICKEL)
  - ALL DIM ARE IN INCHES



RECOMMENDED PANEL CUTOUT FOR -1 THRU -64 MAX PNL THK .140



RECOMMENDED PANEL CUTOUT FOR -85 THRU -128 MAX PNL THK .160

QTY	DESCRIPTION	PART NUMBER	ITEM
TOL UNLESS SPECIFIED XK ± .005 XKX ± .005 XKXK ± .0005 XKXKX ± .00025	<b>TROMPETER</b> RF connectivity	ADAPTERS: U/BJ20/40 TO *70* SERIES BULKHEAD MOUNT	
DWN	DKC	B-1-85	MATERIAL
CHK	Bmi	10-4-85	DATE IDENT
ENGR			DRAWING NO.
APPR	Fw	10/1/94	14949
NEXT ASSY			12-01
			REV J
			SCALE 2/1
			DATE 6/17/85
			SHEET 1 OF 2

## X-ON Electronics

Largest Supplier of Electrical and Electronic Components

*Click to view similar products for [RF Adapters - Between Series category](#):*

*Click to view products by [Bel Fuse manufacturer](#):*

Other Similar products are found below :

[5945-9503-000](#) [MCX/F-SMA/M](#) [R192417010](#) [ADBJ20-E1-BJ379](#) [ADM2](#) [ADPL75-A1-PL75](#) [242191](#) [9317505](#) [29-3835P](#) [AD130](#) [ADBJ20-E1-PL74](#) [ADBJ20-E2-BJ79](#) [ADBJ77-E1-UPL20](#) [ADRMF370](#) [242215](#) [242228](#) [R125680000W](#) [R192430000](#) [UAD95](#) [1057367-1](#) [8311505](#) [R114704000](#) [R451034500](#) [R451030500](#) [R451543000](#) [HDVDPN](#) [ADBJ20-K1-PL20](#) [R451570000](#) [R192419000](#) [R451034000](#) [J9](#) [J3WE-5](#) [R451032500](#) [242201RP](#) [17K132-K00S5](#) [AD-RSMAF-RTNC](#) [53K156-K00N5](#) [02K119-K00E3](#) [29S132-K01N5](#) [53S156-K00N5](#) [02S119-S00E3](#) [28K132-K00N5](#) [02S109-K00S3](#) [27-8200TP](#) [242235](#) [ADBJ20-E1-BJ89](#) [000-2900](#) [321-102-003 \(SMA-50/2-H155/W1.03 AU\)](#) [1057377-1](#) [321-350-001 \(SMA-50-R/2-RG316/N2.01\)](#)