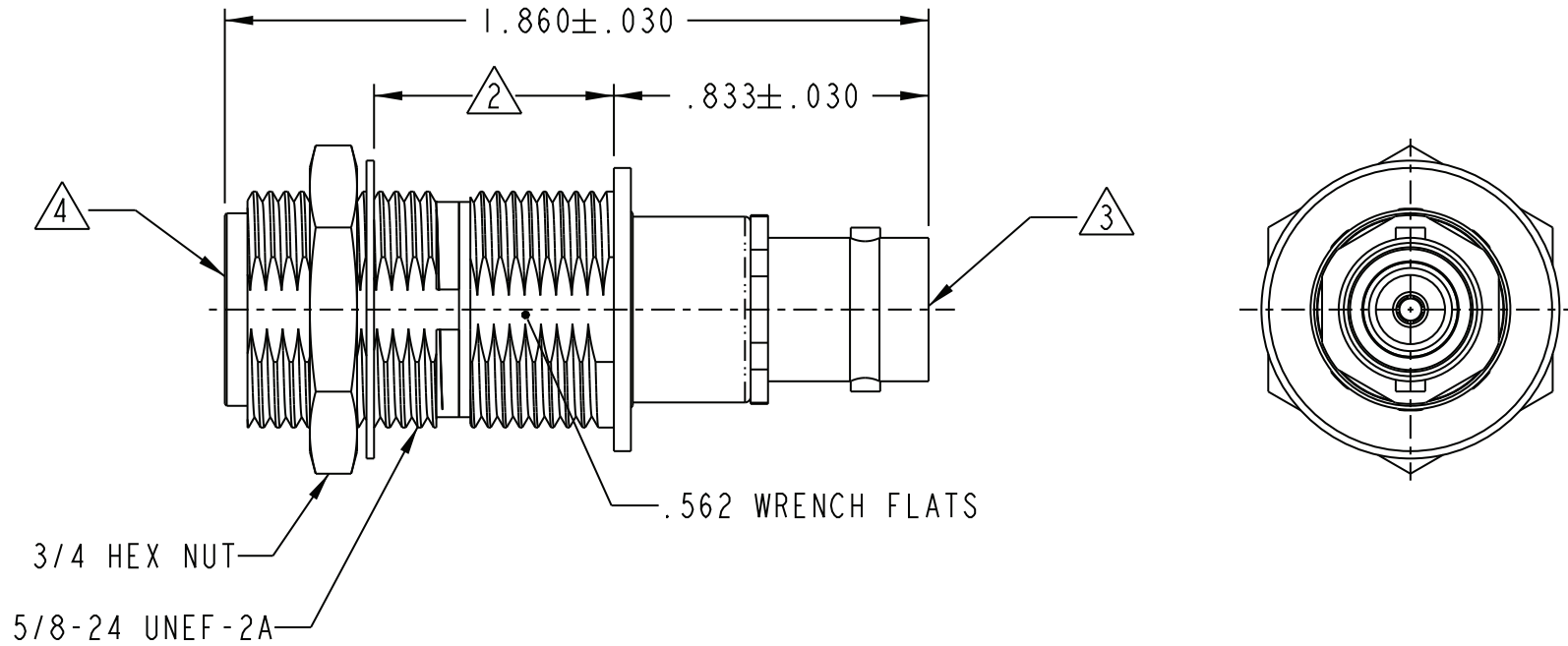


DASH NO	MODEL NO	IMPD OHMS
-1	AD195	50
-2	UAD195	75

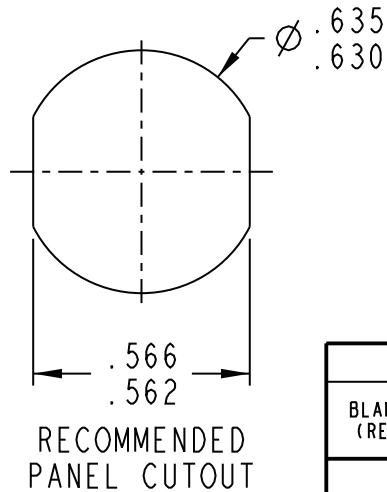
DATA CONTAINED IN THIS DOCUMENT IS PROPRIETARY TO EMERSON CONNECTIVITY SOLUTIONS AND SHALL NOT BE DISCLOSED, COPIED OR USED FOR PROCUREMENT OR MANUFACTURE WITHOUT EXPRESS WRITTEN PERMISSION

REVISIONS			
REV	DESCRIPTIONS	DATE	APPROVED
H	ECO 52570	8/27/10	T. KOHLER



- ④ FEMALE TYPE N 50 AND 75 OHM INSULATED BULKHEAD JACK.
- ③ FEMALE 50 AND 75 OHM TYPE BNC JACK.
- ② MAXIMUM PANEL THICKNESS .203
- ① FINISH: TFS-1A (NICKEL).

NOTES: UNLESS OTHERWISE SPECIFIED.



INTERPRET DRAWING PER MIL-STD-100. DIMENSIONS ARE IN INCHES AND INCLUDE FINISH THICKNESS UNLESS OTHERWISE SPECIFIED.

TOL: UNLESS SPECIFIED.  
 .XX ± .01  
 .XXX ± .003  
 .XXXX ± .0010  
 ANGLE ± 1° 00'  
 CRITICAL



Cinch Connectivity Solutions  
 299 Johnson Ave. Ste. 100  
 Waseca, MN 56093  
 1-800-247-8256

DRN B. RYAN 7-15-11	CHK T. KOHLER 7-16-11	MATERIAL:	TITLE: AD195/UAD195			
N/A	QUALITY	FINISH: ①	SIZE A	CAGE CODE 14949	DRAWING NO. 105-0186	REV. H
BLANK LENGTH (REF. ONLY)	MANUF		SCALE 2/1	DATE 5/25/11	SHEET 1 OF 2	
N/A	APPROVED	DO NOT SCALE DWG				
SURFACE AREA	PROJ TITLE NO. 105-0186					

## X-ON Electronics

Largest Supplier of Electrical and Electronic Components

*Click to view similar products for [RF Adapters - Between Series category:](#)*

*Click to view products by [Bel Fuse manufacturer:](#)*

Other Similar products are found below :

[5945-9503-000](#) [MCX/F-SMA/M](#) [R192417010](#) [ADBJ20-E1-BJ379](#) [ADM2](#) [ADPL75-A1-PL75](#) [242191](#) [9317505](#) [29-3835P](#) [AD130](#) [ADBJ20-E1-PL74](#) [ADBJ20-E2-BJ79](#) [ADBJ77-E1-UPL20](#) [ADRMF370](#) [242215](#) [242228](#) [R125680000W](#) [R192430000](#) [UAD95](#) [1057367-1](#) [8311505](#) [R114704000](#) [R451034500](#) [R451030500](#) [R451543000](#) [HDVDPN](#) [ADBJ20-K1-PL20](#) [R451570000](#) [R192419000](#) [R451034000](#) [J9](#) [J3WE-5](#) [R451032500](#) [242201RP](#) [17K132-K00S5](#) [AD-RSMAF-RTNC](#) [53K156-K00N5](#) [02K119-K00E3](#) [29S132-K01N5](#) [53S156-K00N5](#) [02S119-S00E3](#) [28K132-K00N5](#) [02S109-K00S3](#) [27-8200TP](#) [242235](#) [ADBJ20-E1-BJ89](#) [000-2900](#) [321-102-003 \(SMA-50/2-H155/W1.03 AU\)](#) [1057377-1](#) [321-350-001 \(SMA-50-R/2-RG316/N2.01\)](#)