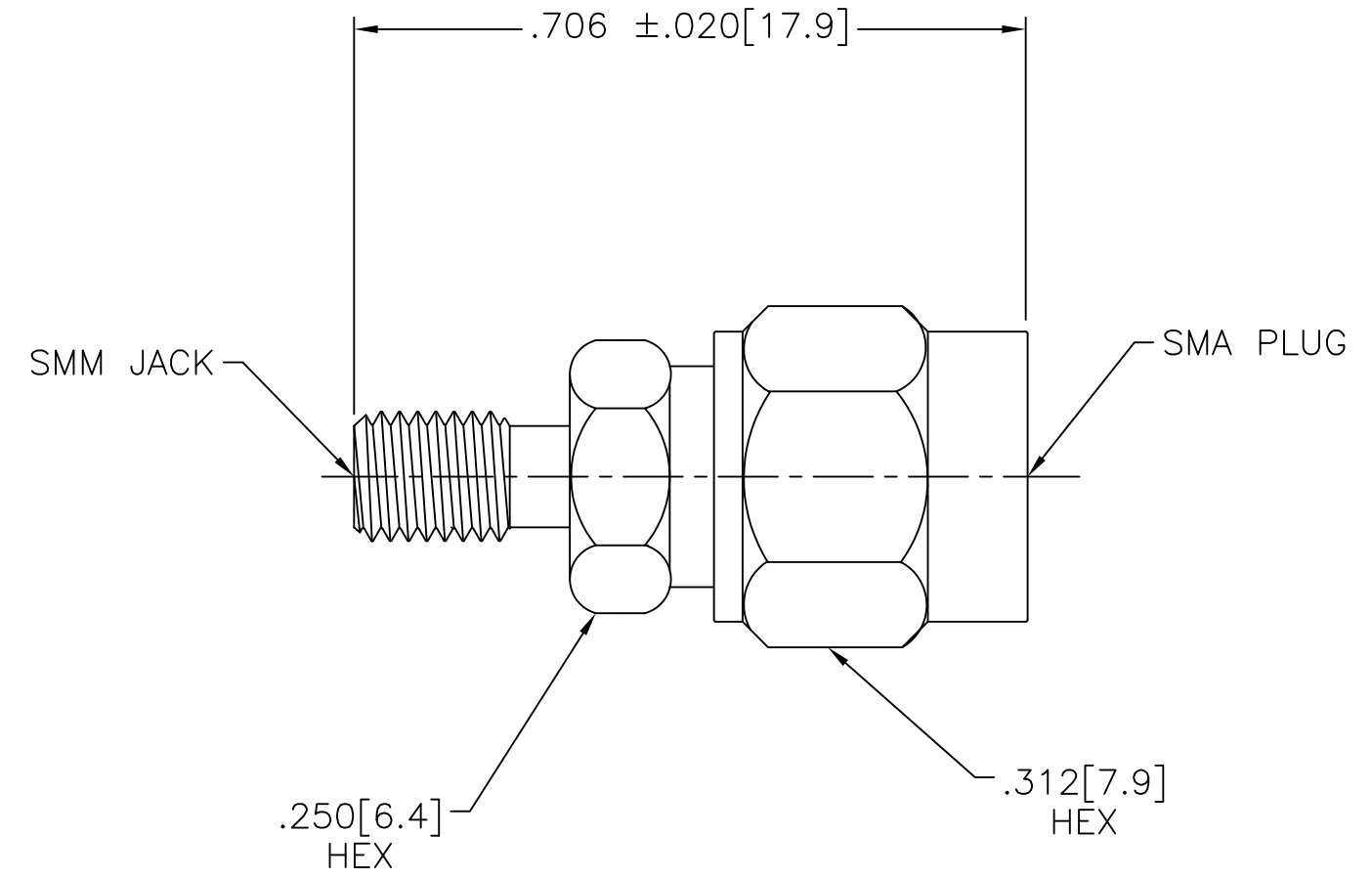


MODEL NUMBER
ADT-2846-SM-MMF-02

- NOTES:
- 1.0 MATERIALS:
 - 1.1 HOUSING & NUT: STAINLESS STEEL PER ASTM-A582, TYPE 303.
 - 1.2 CENTER CONTACT: BERYLLIUM COPPER ROD ALLOY C172, PER ASTM-B196.
 - 1.3 DIELECTRIC: PTFE FLUOROCARBON PER ASTM-D1457.
 - 2.0 PLATING:
 - 2.1 HOUSING & NUT: PASSIVATED PER MIL-F-14072 AND QQ-P-35
 - 2.2 CENTER CONTACT: GOLD PER MIL-G-45204, TYPE II, CLASS 2.
 - 3.0 MECHANICAL:
 - 3.1 INTERFACE DIMENSIONS PER MIL-STD-348 FIGS 310-1 AND SMM JACK
 - 3.2 CENTER CONTACT CAPTURED IN ACCORDANCE MIL-A-55339
 - 4.0 DIMENSIONS IN BRACKETS ARE MILLIMETERS.
 - 5.0 MAX V.S.W.R.:
 - DC to 12.4 GHz: 1.06+.009f(GHz)
 - 12.4 to 25.0 GHz: 1.05+.01f(GHz)

ALL OTHER MECHANICAL, ELECTRICAL, AND ENVIRONMENTAL CHARACTERISTICS ARE IN ACCORDANCE WITH MIL-A-55339



DATE	3/24/95
DESCRIPTION	RELEASED
REV.	-1
ADDED	TITLEBLOCK
	3/17/05

NOTICE: The information contained in this drawing is proprietary and must not be used without the permission of Emerson Network Power.

UNLESS OTHERWISE NOTED DIMENSIONS ARE IN INCHES AND TOLERANCES ARE:
 3 PLACE DECIMALS $\pm .005$
 2 PLACE DECIMALS $\pm .02$
 FRACTIONS $\pm 1/64$
 PARALLELITY: T.I.R. _____
 FLATNESS: T.I.R. _____
 CONCENTRICITY: T.I.R. _____
 ANGLES AND PERPENDICULARITY: $\pm 1'$

CAGE CODE 34078		MIDWEST MICROWAVE	
 EMERSON Network Power Connectivity Solutions		TITLE ADAPTER SMM JACK TO SMA PLUG OUTLINE DRAWING	
		DRAWING NUMBER ADT-2846-SM-MMF-02-01	REV. -1
DRAWN/DATE A.BEATTY 3/21/95 CHECKED/DATE P.GOODMAN 3/23/95	ENG./DATE A.OSGA 3/24/95 APPROVED/DATE	SCALE: 5=1	SHEET 1 of 1

X-ON Electronics

Largest Supplier of Electrical and Electronic Components

Click to view similar products for [RF Adapters - Between Series category](#):

Click to view products by [Bel Fuse manufacturer](#):

Other Similar products are found below :

[5945-9503-000](#) [MCX/F-SMA/M](#) [R192417010](#) [ADBJ20-E1-BJ379](#) [ADM2](#) [ADPL75-A1-PL75](#) [242191](#) [9317505](#) [29-3835P](#) [AD130](#) [ADBJ20-E1-PL74](#) [ADBJ20-E2-BJ79](#) [ADBJ77-A1-PL375](#) [ADBJ77-E1-UPL20](#) [ADRMF370](#) [242215](#) [242228](#) [R125680000W](#) [R192430000](#) [UAD95](#) [1057367-1](#) [8311505](#) [R114704000](#) [R451034500](#) [R451030500](#) [R451543000](#) [HDVDPN](#) [ADBJ20-K1-PL20](#) [R451570000](#) [R451034000](#) [J9](#) [J3WE-5](#) [R451032500](#) [242201RP](#) [17K132-K00S5](#) [AD-RSMAF-RTNC](#) [53K156-K00N5](#) [02K119-K00E3](#) [29S132-K01N5](#) [53S156-K00N5](#) [02S119-S00E3](#) [28K132-K00N5](#) [02S109-K00S3](#) [27-8200TP](#) [242235](#) [ADBJ20-E1-BJ89](#) [000-2900](#) [321-102-003 \(SMA-50/2-H155/W1.03 AU\)](#) [1057377-1](#) [321-350-001 \(SMA-50-R/2-RG316/N2.01\)](#)