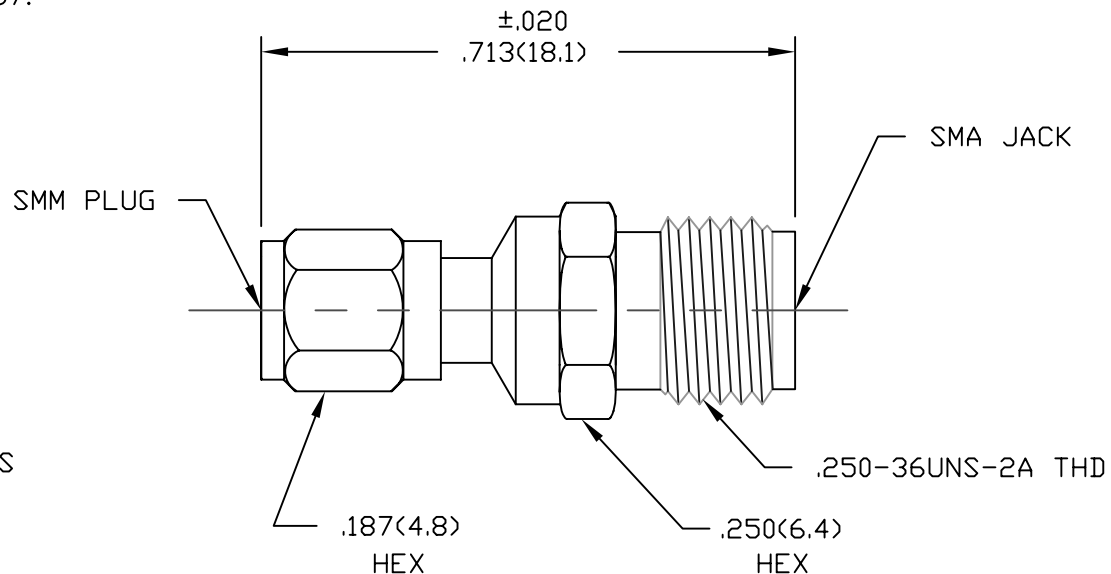


NOTES:

- 1.0 MATERIALS:
 - 1.1 HOUSING & NUT: STAINLESS STEEL PER ASTM-A582, TYPE 303.
 - 1.2 CENTER CONTACT: BERYLLIUM COPPER ROD ALLOY C172, PER ASTM-B196.
 - 1.3 DIELECTRIC: PTFE FLUOROCARBON PER ASTM-D1457.
- 2.0 PLATING:
 - 2.1 HOUSING & NUT: GOLD PER MIL-G-45204 TYPE II, CLASS 1.
 - 2.2 CENTER CONTACT: GOLD PER MIL-G-45204, TYPE II, CLASS 2.
- 3.0 MECHANICAL:
 - 3.1 SMA JACK INTERFACE DIMENSIONS PER MIL-STD-348, FIG. 310-2
 - 3.2 CENTER CONTACT CAPTURED IN ACCORDANCE WITH MIL-A-55339
- 4.0 DIMENSIONS IN PARENTHESIS ARE IN MILLIMETERS
- 5.0 VSWR (MAX):
 - DC to 12.4 GHz: 1.06+.009f(GHz)
 - 12.4 to 25.0 GHz: 1.05+.01f(GHz)

ALL OTHER MECHANICAL, ELECTRICAL AND ENVIRONMENTAL CHARACTERISTICS ARE IN ACCORDANCE WITH MIL-A-55339



REV.	DESCRIPTION	DATE
-	RELEASED	3/24/95
-1	ADDED TITLEBLOCK	3/17/05

NOTICE: The information contained in this drawing is proprietary and must not be used without the permission of Emerson Network Power.

UNLESS OTHERWISE NOTED DIMENSIONS ARE IN INCHES AND TOLERANCES ARE:
 3 PLACE DECIMALS ±.005
 2 PLACE DECIMALS ±.02
 FRACTIONS ±1/64
 PARALLELITY: T.I.R. _____
 FLATNESS: T.I.R. _____
 CONCENTRICITY: T.I.R. _____
 ANGLES AND PERPENDICULARITY: ±1'

CAGE CODE 34078		MIDWEST MICROWAVE	
		TITLE ADAPTER SMM PLUG TO SMA JACK OUTLINE DRAWING	
		DRAWN/DATE A. BEATTY 3/22/95	ENG./DATE A. OSGA 3/24/95
CHECKED/DATE P. GOODMAN 3/23/95		DRAWING NUMBER ADT-2847-SF-MMM-02-01	REV. -1
APPROVED/DATE		SCALE: 5=1	SHEET 1 of 1

X-ON Electronics

Largest Supplier of Electrical and Electronic Components

Click to view similar products for [RF Adapters - Between Series category:](#)

Click to view products by [Bel Fuse manufacturer:](#)

Other Similar products are found below :

[5945-9503-000](#) [MCX/F-SMA/M](#) [R192417010](#) [ADBJ20-E1-BJ379](#) [ADM2](#) [ADPL75-A1-PL75](#) [242191](#) [9317505](#) [29-3835P](#) [AD130](#) [ADBJ20-E1-PL74](#) [ADBJ20-E2-BJ79](#) [ADBJ77-A1-PL375](#) [ADBJ77-E1-UPL20](#) [ADRMF370](#) [242215](#) [242228](#) [R125680000W](#) [R192430000](#) [UAD95](#) [1057367-1](#) [8311505](#) [R114704000](#) [R451034500](#) [R451030500](#) [R451543000](#) [HDVDPN](#) [ADBJ20-K1-PL20](#) [R451570000](#) [R192419000](#) [R451034000](#) [J9](#) [J3WE-5](#) [R451032500](#) [242201RP](#) [17K132-K00S5](#) [AD-RSMAF-RTNC](#) [53K156-K00N5](#) [02K119-K00E3](#) [29S132-K01N5](#) [53S156-K00N5](#) [02S119-S00E3](#) [28K132-K00N5](#) [02S109-K00S3](#) [27-8200TP](#) [242235](#) [ADBJ20-E1-BJ89](#) [000-2900](#) [321-102-003 \(SMA-50/2-H155/W1.03 AU\)](#) [1057377-1](#)