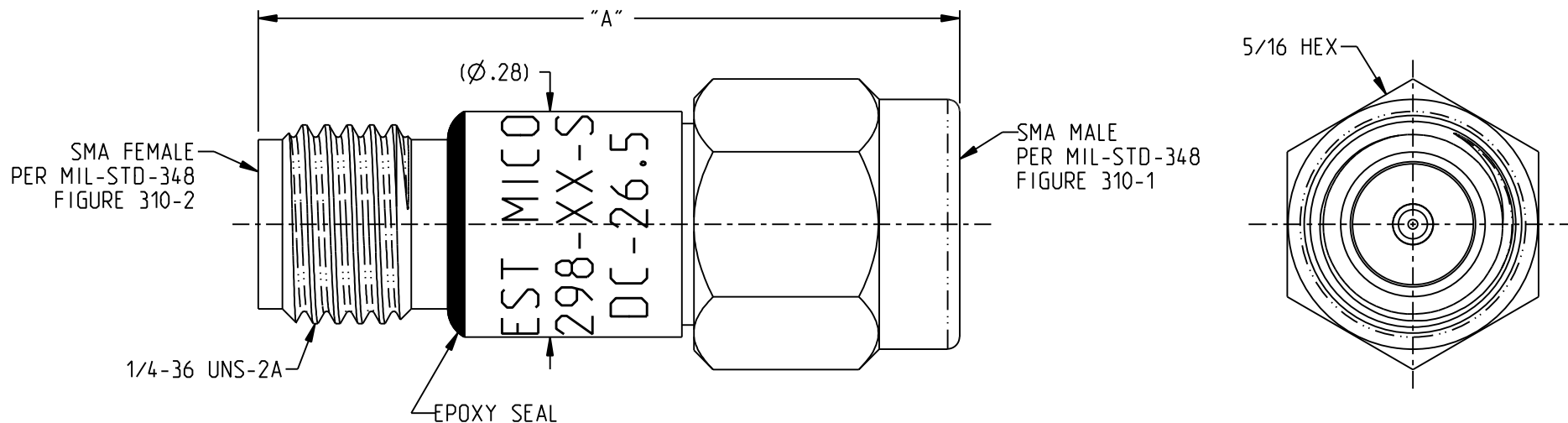


| ATTENUATION VALUE | "A" |
|-------------------|------|
| 0 - 12.5 | .86 |
| 13 - 30 | 1.02 |



NOTES: UNLESS OTHERWISE SPECIFIED.

1. MATERIAL & FINISH:

- 1.1 HOUSING & COUPLING NUT: PASSIVATED STAINLESS STEEL
- 1.2 DIELECTRIC: PTFE (TEFLON)
- 1.3 CENTER CONTACT: GOLD PLATED BERYLLIUM COPPER
- 1.4 GASKET: SILICONE RUBBER

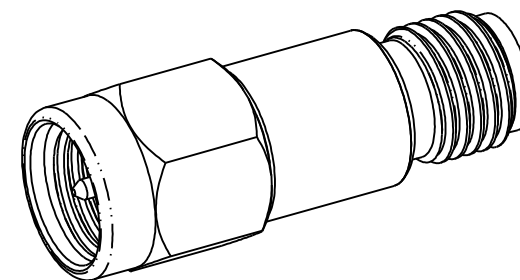
2. SPECIFICATIONS:

- 2.1 FREQUENCY RANGE: DC - 26.5 GHz
- 2.2 ATTENUATION ACCURACY:
 - 2.2.1 0 dB = +0.5/-0 dB
 - 2.2.2 0.5 - 6 dB = ±0.5 dB
 - 2.2.3 6.5 - 20 dB = ±0.7 dB
 - 2.2.4 20.5 - 30 dB = ±1.0 dB
- 2.3 VSWR (MAX): 1.07 + .015f (GHz)
- 2.4 INPUT POWER (MAX):

AVERAGE: 2 WATTS AT 25°C DERATED LINEARLY TO 0.5 WATTS AT 125°C.

PEAK: 200 WATTS FOR A DUTY CYCLE OF 5 X 10⁻⁴. MAX PULSE DURATION OF 5 MICROSECONDS.

- 2.5 OPERATING TEMP. RANGE: -65°C TO 125°C



| | | | |
|---|---|------------------------------|----------------------|
| <p>This PROPRIETARY Document is property of Cinch Connectivity Solutions. It is confidential in nature, non-transferable, and issued with the clear understanding that it is no traced or copied without permission and is returnable upon demand.</p> <p>INTERPRET DRAWING IN ACCORDANCE WITH ASME Y14.5-2009.</p> | | MIDWEST MICROWAVE | |
| | RoHS2 <input checked="" type="checkbox"/> 2011/65/EU | Title: ATTENUATOR 0-30 dB | |
| | UNLESS OTHERWISE SPECIFIED UNITS: INCH | Model No. ATT-0298-XX-SMA-02 | |
| | .XX ±.02 .XXX ±.005 ANGLES ±2° | Size A | DO NOT SCALE DRAWING |

X-ON Electronics

Largest Supplier of Electrical and Electronic Components

Click to view similar products for [Attenuators - Interconnects](#) category:

Click to view products by [Bel Fuse](#) manufacturer:

Other Similar products are found below :

[R411803119](#) [R413806115](#) [R413808000](#) [R413810115](#) [R413850115](#) [R414510000](#) [R414701000](#) [BNC-13](#) [R411800121](#) [R411801121](#)
[R412412124](#) [R412450000](#) [R413800000](#) [R413805000](#) [R413830000](#) [R413840115](#) [R414730000](#) [R415420000](#) [R415703000](#) [R416010000](#)
[R420003110](#) [R411801000](#) [R411815121](#) [R413305000](#) [R413801000](#) [R414520000](#) [R411808121](#) [R412500124](#) [R412414124](#) [R412501124](#)
[HMC-C584](#) [R413802000](#) [R412400124](#) [R411700124](#) [R417310130](#) [R411801119](#) [R412419124](#) [R411703124](#) [R412401124](#) [R443131000](#)
[R417130110](#) [R414700000](#) [R414505000](#) [R411802119](#) [R417720128](#) [R420706110](#) [R413811000](#) [R413803115](#) [R414501000](#) [R417903128](#)