

MODEL NUMBER
ATT-0444-XX-HEX-02
REV.
F1

NOTES:

1.0 SPECIFICATIONS:

- 1.1 FREQ. RANGE: DC to 18.0 GHz
- 1.2 ATTENUATION VALUES: 0.5 to 30, 40, 50 & 60dB
- 1.3 ATTENUATION ACCURACY:

DC TO 12.4 GHz		12.4 TO 18.0 GHz	
0.5dB	±0.4dB	0.5dB	±0.4dB
1-4 dB	±0.75dB	1-4 dB	±0.75dB
5-8 dB	±0.75dB	5-8 dB	±1.00 dB
9-12dB	±1.00 dB	9-12dB	±1.25 dB
13-20dB	±1.50 dB	13-20dB	±1.50 dB
21-60dB	±2.00dB	21-30dB	±2.00 dB

1.4 VSWR (MAX.):

DC to 4.0 GHz:	1.25:1
4.0 to 12.4 GHz:	1.45:1
12.4 to 18.0 GHz:	1.65:1

1.5 INPUT POWER (MAX.): 2 WATTS AVG.
AT +25°C DERATED LINEARLY TO
0.5 WATTS AT +125°C

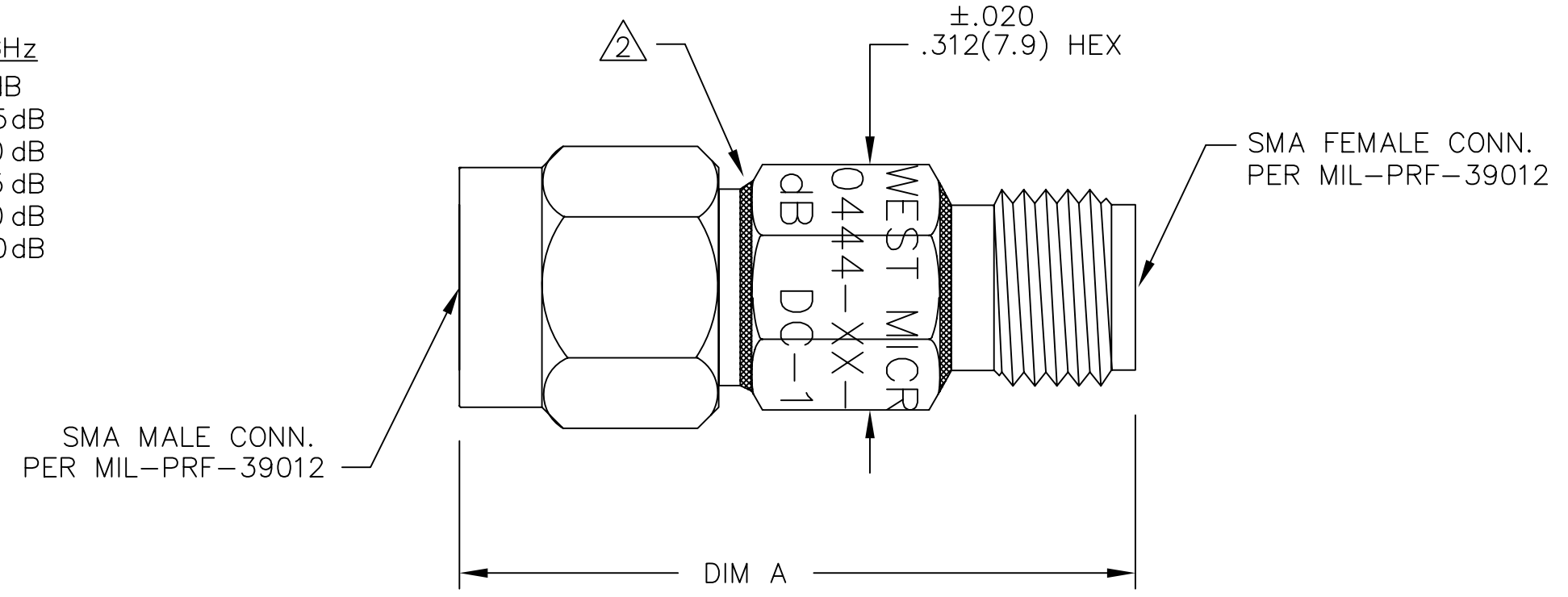
1.6 OPERATING TEMP. RANGE: -65°C TO +125°C

\triangle EPOXY UNIT PER EPX-08000-44-01
0.5 to 30dB GET EPOXIED ON FEMALE END ONLY
31 to 60dB GET EPOXIED ON BOTH ENDS.

3.0 MARKING

3.1 MARK UNIT AS SHOWN:
(REF.: INK-06205-27-XX)

4.0 DIMENSIONS IN PARENTHESIS ARE MILLIMETERS.



ATTENUATION VALUE	DIM A
1 thru 12dB	.86(21.8)
13 thru 30dB	1.02(25.9)
31 thru 60dB	1.25(31.8)

REV.	DESCRIPTION	DATE
-	RELEASED	6/20/83
A	ECR 4636	7/17/86
B	ECR 6808	7/26/87
C	ECR 6933	11/27/90
C1	UPDATE MODEL NO.	2/4/91
D	ON CAD/UPDATE MARKING	3/1/93
E	ECN 14371	3/23/95
F	ECN 16216	9/16/97
F1	ADDED TITLEBLOCK	4/4/05

DRAWING NUMBER WAS:
04721-01-00 &
ATT-0444-XX-H00-02

UNLESS OTHERWISE NOTED DIMENSIONS ARE IN INCHES AND TOLERANCES ARE: 3 PLACE DECIMALS ±.005 2 PLACE DECIMALS ±.02 FRACTIONS ±1/64 PARALLELITY: T.I.R. _____ FLATNESS: T.I.R. _____ CONCENTRICITY: T.I.R. _____ ANGLES AND PERPENDICULARITY: ±1°	FSCM NO. 34078	MIDWEST MICROWAVE		
	NOTICE: The information contained in this drawing is proprietary and must not be used without the permission of Midwest Microwave		TITLE ATTENUATOR	
	DRAWN/DATE A.BEATTY 3/1/93	ENG./DATE G.KOZAK 3/2/93	DRAWING NUMBER ATT-0444-XX-HEX-02	
	CHECKED/DATE M.HOLLMAN 3/1/93	APPROVED/DATE	SCALE: 5=1	SHEET 1 of 1

X-ON Electronics

Largest Supplier of Electrical and Electronic Components

Click to view similar products for [Attenuators - Interconnects](#) category:

Click to view products by [Bel Fuse](#) manufacturer:

Other Similar products are found below :

[R411803119](#) [R413806115](#) [R413808000](#) [R413810115](#) [R413850115](#) [R414510000](#) [R414701000](#) [BNC-13](#) [R411800121](#) [R411801121](#)
[R412412124](#) [R412450000](#) [R413800000](#) [R413805000](#) [R413830000](#) [R413840115](#) [R414730000](#) [R415420000](#) [R415703000](#) [R416010000](#)
[R420003110](#) [R411801000](#) [R411815121](#) [R413305000](#) [R413801000](#) [R414520000](#) [R411808121](#) [R412500124](#) [R412414124](#) [R412501124](#)
[HMC-C584](#) [R413802000](#) [R412400124](#) [R411700124](#) [R417310130](#) [R411801119](#) [R412419124](#) [R411703124](#) [R412401124](#) [R443131000](#)
[R417130110](#) [R414700000](#) [R414505000](#) [R411802119](#) [R417720128](#) [R420706110](#) [R413811000](#) [R413803115](#) [R414501000](#) [R417903128](#)