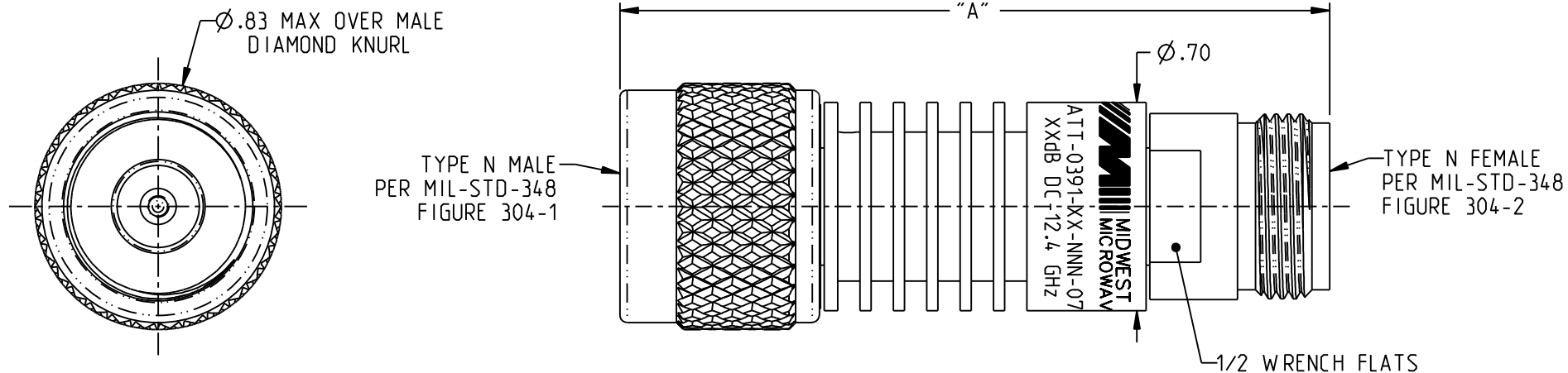


-XX- (dB VALUE)	"A"
1 - 6	2.40
7 - 40	2.84



NOTES: UNLESS OTHERWISE SPECIFIED.

1. MATERIAL & FINISH:

1.1 HOUSING, FINNED: CHEMICAL CONVERSION COATED (IRIDITE) ALUMINUM

1.2 TYPE N MALE:

1.2.1 HOUSING & COUPLING NUT: PASSIVATED STAINLESS STEEL

1.2.2 DIELECTRIC: NORYL

1.2.3 CENTER CONTACT: GOLD PLATED BERYLLIUM COPPER

1.2.4 GASKET: SILICONE RUBBER

1.3 TYPE N FEMALE:

1.3.1 HOUSING: PASSIVATED STAINLESS STEEL

1.3.2 DIELECTRIC: NORYL

1.3.3 CENTER CONTACT: GOLD PLATED BERYLLIUM COPPER

2. SPECIFICATIONS:

2.1 FREQUENCY RANGE: DC TO 12.4 GHz

2.2 IMPEDANCE: 50 OHMS

2.3 ATTENUATION & ACCURACY:

2.3.1 1 - 6 dB: ± 0.3 dB

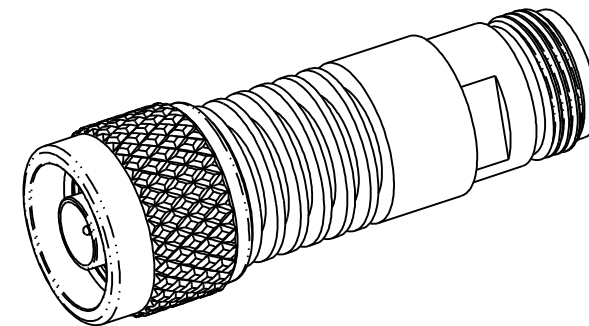
2.3.2 7 - 20 dB: ± 0.5 dB

2.3.3 21 - 40 dB: ± 0.7 dB

2.4 VSWR (MAX): 1.06 +.02 f (GHz)

2.5 INPUT POWER (MAX): 5 WATTS AVG @ 40°C DERATED LINEARLY TO 1 WATT AT 125°C

2.6 OPERATING TEMP. RANGE: -54°C TO 125°C



 <small>This PROPRIETARY Document is property of Cinch Connectivity Solutions. It is confidential in nature, non-transferable, and issued with the clear understanding that it is not traced or copied without permission and is returned upon demand.</small> <small>INTERPRET DRAWING IN ACCORDANCE WITH ASME Y14.5-2009.</small>	 RoHS2 <input checked="" type="checkbox"/> 2011/65/EU	MIDWEST MICROWAVE	
	<small>UNLESS OTHERWISE SPECIFIED UNITS: INCH</small> .XX $\pm .02$.XXX $\pm .010$ ANGLES $\pm 2^\circ$	Title: ATTENUATOR, 1-40 dB	Model No.: ATT-0391-XX-NNN-07
Size A	DO NOT SCALE DRAWING	Date: 6/8/2016	

X-ON Electronics

Largest Supplier of Electrical and Electronic Components

Click to view similar products for [Attenuators - Interconnects](#) category:

Click to view products by [Bel Fuse](#) manufacturer:

Other Similar products are found below :

[R411803119](#) [R413806115](#) [R413808000](#) [R413810115](#) [R413850115](#) [R414510000](#) [R414701000](#) [BNC-13](#) [R411800121](#) [R411801121](#)
[R412412124](#) [R412450000](#) [R413800000](#) [R413805000](#) [R413830000](#) [R413840115](#) [R414730000](#) [R415420000](#) [R415703000](#) [R416010000](#)
[R420003110](#) [R411801000](#) [R411815121](#) [R413305000](#) [R413801000](#) [R414520000](#) [R411808121](#) [R412500124](#) [R412414124](#) [R412501124](#)
[HMC-C584](#) [R413802000](#) [R412400124](#) [R411700124](#) [R417310130](#) [R411801119](#) [R412419124](#) [R411703124](#) [R412401124](#) [R443131000](#)
[R417130110](#) [R414700000](#) [R414505000](#) [R411802119](#) [R417720128](#) [R420706110](#) [R413811000](#) [R413803115](#) [R414501000](#) [R417903128](#)