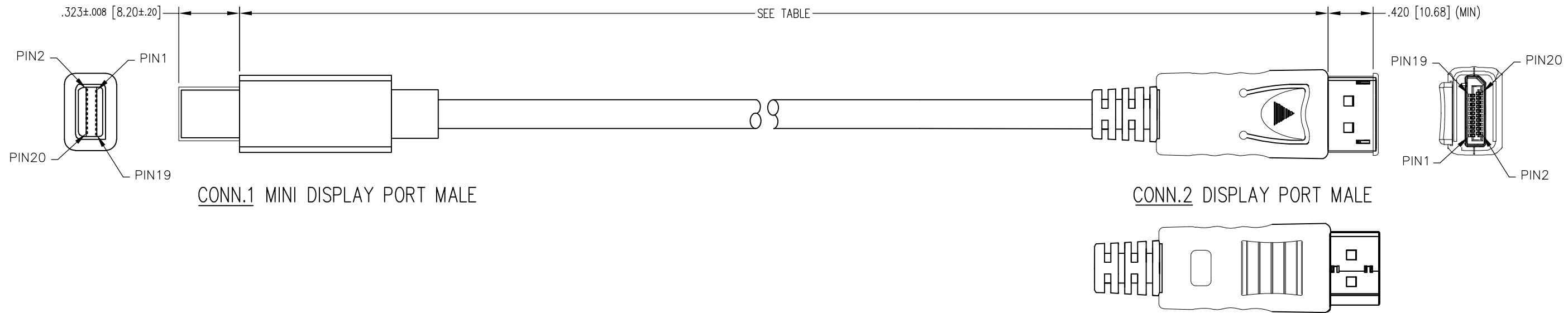
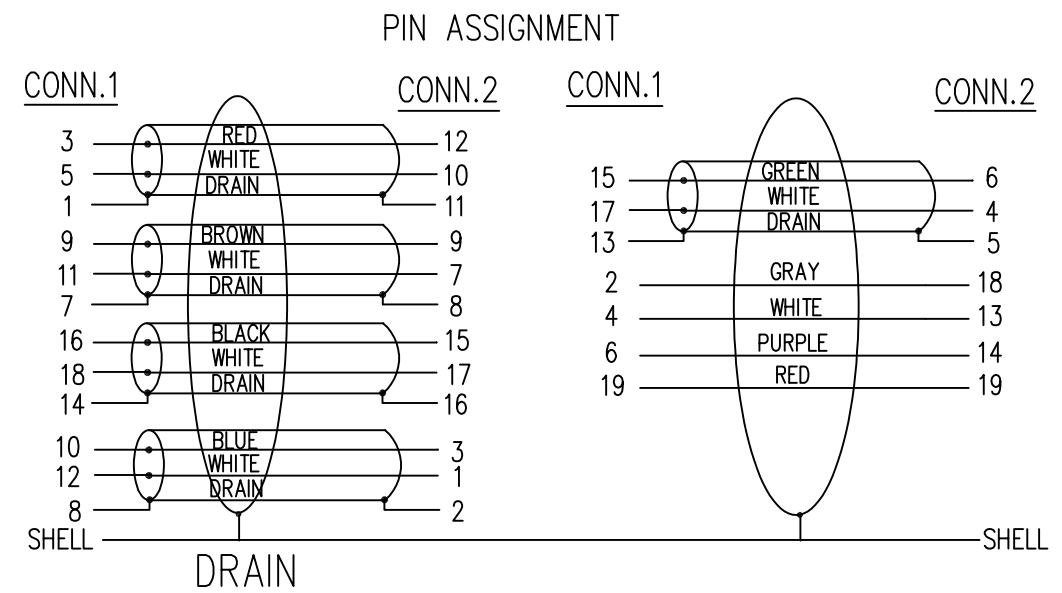


DATE	REV	ECN	APP'D. BY
5/29/19	A0	RELEASED	-
10/15/20	A1	11639	JE

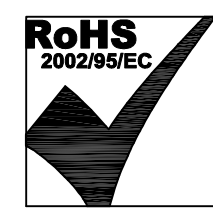
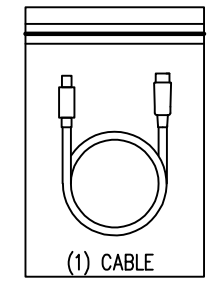


NOTES:

- COMPLIANT WITH DISPLAYPORT 1.1 SPECIFICATION.
- CONNECTOR COMPONENTS:  
 TRANSPARENT DUST COVER  
 INSIDE MOLDING: PE  
 STRAIN RELIEF MOLDING: 45P PVC, BLACK  
 OUTSIDE MOLDING: ABS, WHITE  
 SHELL PLATING: GOLD FLASH  
 CONTACT: GOLD PLATING  
 DISPLAY PORT UL20276 [32AWG(7/0.08TC)\*1PR+EAM)\*5  
 +32AWG(7/0.08TC)\*5C+D(BC)+AB 85% (16/7/0.12AL)  
 OD: 0.19 [4.8] COLOR: WHITE
- ELECTRICAL TESTING:  
 100% OPEN & SHORT & CONTINUITY WIRE TEST  
 CONTACT RESISTANCE: 2 OHM(MAX)  
 INSULATION RESISTANCE: 10M OHM(MIN)  
 HI-POT TEST: DC 100V/10ms
- PACKAGING  
 ONE CABLE PER BAG



P/N	LENGTH
BC-DM003F	36±1.2 [915±30]
BC-DM006F	72±1.2 [1830±30]
BC-DM010F	120±1.6 [3050±40]



THIRD ANGLE PROJECTION		206 Van Vorst Street Jersey City, NJ 07302 +1 201 432 0463 <a href="http://www.belfuse.com">http://www.belfuse.com</a>	
DO NOT SCALE DRAWING DRAWING IS SUBJECT TO CHANGE WITHOUT NOTICE		TITLE: MINI DISPLAY PORT MALE TO DISPLAY PORT MALE CABLE	
DIMENSIONS: INCHES [METRIC]	THIS DRAWING AND THE SUBJECT MATTER SHOWN THEREON ARE CONFIDENTIAL AND THE PROPRIETARY PROPERTY OF BEL FUSE, INC. AND SHALL NOT BE REPRODUCED, COPIED, OR USED IN ANY MANNER WITHOUT PRIOR WRITTEN CONSENT OF BEL FUSE, INC.	DRN BY: JMM	DATE 05/16/19
UNLESS OTHERWISE SPECIFIED TOLERANCES ARE ±.005 [0.13] ANGLES ARE ± 1°		APPD BY: ADB	DATE 05/29/19
SHEET NO. 1 OF 1		DWG NO. CT999193	REV. A1

ASSEMBLY FORMAT REV. 6/3/05

B

B

A

A

## X-ON Electronics

Largest Supplier of Electrical and Electronic Components

*Click to view similar products for [Audio Cables](#) / [Video Cables](#) / [RCA Cables](#) category:*

*Click to view products by [Bel Fuse](#) manufacturer:*

Other Similar products are found below :

[59384500100E](#) [RCA10RCA](#) [DB25M05DB25MY](#) [DB25M10DB25MY](#) [DB25M10XLRMXLRFY](#) [1-3737-600-3216](#) [15AK25X](#) [CA19](#) [CA20](#)  
[CAG34](#) [25FK25](#) [LF3BLX](#) [30-513](#) [28-511-0](#) [30-419](#) [30AR30](#) [30AK30](#) [30AN30](#) [RCA05RCA](#) [RCA05RCAB](#) [RCA05TS](#) [RCA10RCAB](#)  
[420001400-3](#) [426058900-3](#) [427493000-3](#) [49152A-010-S2](#) [TT6RX](#) [TT7BKX](#) [TT93602](#) [32-3766](#) [32HR07284X](#) [CA25B](#) [CA39](#)  
[DB25M02XLRMXLRFY](#) [LF1BKX](#) [LF3RX](#) [49442 010S2](#) [DVI-I-VGA/DVI-D-CBL-MATRIX](#) [VMP3YX](#) [VMP2YX](#) [TT746](#) [TT744](#) [CN13B](#)  
[MDC4P13](#) [MDC8P53](#) [LF4GNX](#) [LF2GYX](#) [426494200-3](#) [49153A 010S2](#) [LF1RX](#)