

RED INDICATES ORIGINAL

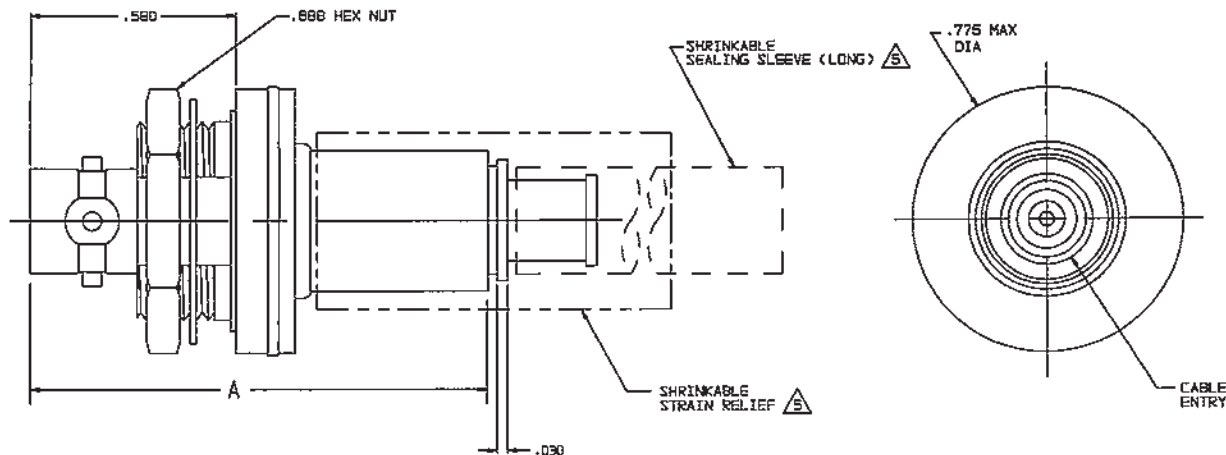
DATA CONTAINED IN THIS DOCUMENT IS PROPRIETARY TO TROMPETER ELECTRONICS INC. AND SHALL NOT BE DISCLOSED, COPIED OR USED FOR REPRODUCTION OR MANUFACTURE WITHOUT EXPRESS WRITTEN PERMISSION.

REVISIONS			3-0230	SH 1	
REV	ED	DESCRIPTION	OWN	APPROVED	DATE
K	12391	ADDED -224, & -225; CHANGED DIA .750 TO .785 ±.005; SEE ECU	DBN	W.M. FC	4/1/98

DASH NO	CABLES ACCOMMODATED	A DIM	B HEX	ASSEMBLE PER
-201	M17/178-00002	1.164	.255	TAI-143
-202	TWC-7B-1			
-203	TWC-124-1A			
-204	10502, RAYCHEM			
-205	TWAC-78-1F2			
-206	792600130, RAYCHEM			
-207	83310 BELDEN			
-208	202-3927 MICRODOT			
-209	202-3942 MICRODOT			
-210	8451 BELDEN			
-211	202-3934 MICRODOT	1.289	.344	TAI-144
-212	2524E0114, RAYCHEM			
-213	TWC-78-2			
-214	TWC-124-2			
-215	BL-882 TIMES			
-216	BL-1242 TIMES			
-217	6CB75TH24H, GRUMMAN			
-218	EPD 22188B, RAYCHEM			
-219	2528D1114, RAYCHEM			
-220	6CB75RR1, GRUMMAN			
-221	10514, RAYCHEM			
-222	18613, RAYCHEM			
-223	HNS2-1149, HUGHES			
-224	TWCP-124-3			
-225	PS885PL, PRIME STOCK			

DASH NO	CABLES ACCOMMODATED	A DIM	B HEX	ASSEMBLE PER
-301	6CB75GC1, GRUMMAN	1.164	.255	TAI-157
-302	6CB75GB1, GRUMMAN 5022E5111, RAYCHEM			
-303	7528A5314, RAYCHEM			
-304				
-305	M17/177-00001/295-3804 MICRODOT	1.289	.344	TAI-173
-306	TRC-50-2 M17/134-00002			
-307	TRC-75-1			
-308	TRC-75-2			
-309	TRC-50-1	1.164	.255	TAI-157

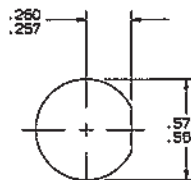
INCH	MM
.005	0.13
.030	0.76
.116	2.95
.255	6.48
.257	6.53
.260	6.60
.344	8.74
.587	14.40
.572	14.53
.580	14.73
.688	17.48
.775	19.69
1.00	25.40
1.164	29.57
1.25	31.75
1.289	32.74
1.75	44.45



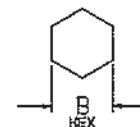
-207 SHOWN

- 1 SHRINKABLE STRAIN RELIEF AND/OR SHRINKABLE SEALING SLEEVE SUPPLIED LOOSE AS FOLLOWS:
- CABLE GROUPS -207, -210 & -307:
 - 1 SHRINKABLE STRAIN RELIEF (1.00 LONG)
 - 1 SHRINKABLE SEALING SLEEVE (1.25 LONG)
 - CABLE GROUPS -201 THROUGH -206, -208, -209, -217 THROUGH -223, -301, -302, -303 & -309:
 - 1 SHRINKABLE SEALING SLEEVE (1.25 LONG)
 - CABLE GROUPS -211 THROUGH -216, -305, -306 & -308:
 - 1 SHRINKABLE STRAIN RELIEF (1.75 LONG)
- MAX PANEL THK .116
 - 4-LUG SUBMINIATURE CONCENTRIC TWINAX (4 PIECE ASSY) AND TRIAX (8 PIECE ASSY) FULL CRIMP INSULATED BULKHEAD MOUNT RECEPTACLE
 - FINISH: TFS-1A (NICKEL)
 - ALL DIMENSIONS ARE IN INCHES

- EXAMPLE OF COMPLETE MODEL NO:
BJ154ACFL-201
BASIC MODEL NO. [] CABLE GROUP DASH NO. []
- EXAMPLE OF COMPLETE PART NO:
3-0230-201
BASIC PART NO. [] CABLE GROUP DASH NO. []



RECOMMENDED
PANEL CUTOUT
SCALE: NONE



RECOMMENDED
HEX CRIMP
SCALE: NONE

QTY	DESCRIPTION	PART NUMBER	ITEM
	TOL. UNLESS SPECIFIED: XX ±.03 XXX ±.005 XXXX ±.0002 ANGLES:	8J154ACFL	
OWN	DBN	3/21/98	MATERIAL
CHK	WM	3/31/98	EDGE IDENT
ENGR			14849
APPR			3-0230
			REV K
NEXT ASSY			SCALE 4/1
			DATE 5-31-95
			SHEET 1 OF 2

X-ON Electronics

Largest Supplier of Electrical and Electronic Components

Click to view similar products for [RF Connectors / Coaxial Connectors](#) category:

Click to view products by [Bel Fuse](#) manufacturer:

Other Similar products are found below :

[8915-1511-000](#) [89674-0827](#) [6001-7071-019](#) [6002-7051-003](#) [6002-7551-202](#) [6059674-1](#) [619550-1](#) [630059-000](#) [M39030/3-01N](#) [6500-7071-046](#) [6769](#) [CX050L2AQ](#) [7002-1541-010](#) [7002-1542-011](#) [7004-1512-000](#) [7009-1511-004](#) [7010-1511-000](#) [7029-1511-060](#) [7101-1541-010](#) [7101-1571-002](#) [7145-1521-002](#) [7203-1571-003](#) [7209-1511-011](#) [7210-1511-015](#) [7210-1511-019](#) [73137-5015](#) [73216-2241](#) [73404-2300](#) [7405-1521-005](#) [7405-1521-802](#) [8527](#) [8547](#) [FS11V](#) [877931](#) [9049-9513-000](#) [9074-9513-000](#) [9101-9573-002](#) [910A205F](#) [9130-9573-002](#) [PL11SC-026](#) [PL375-33](#) [PL40-5](#) [PL74C-221](#) [PL75MC-217](#) [PL803-7](#) [980-8666-005](#) [1200690078](#) [1-201144-1](#) [R107003010W](#) [R110A172100](#)