

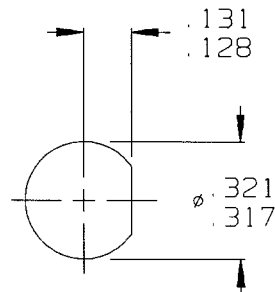
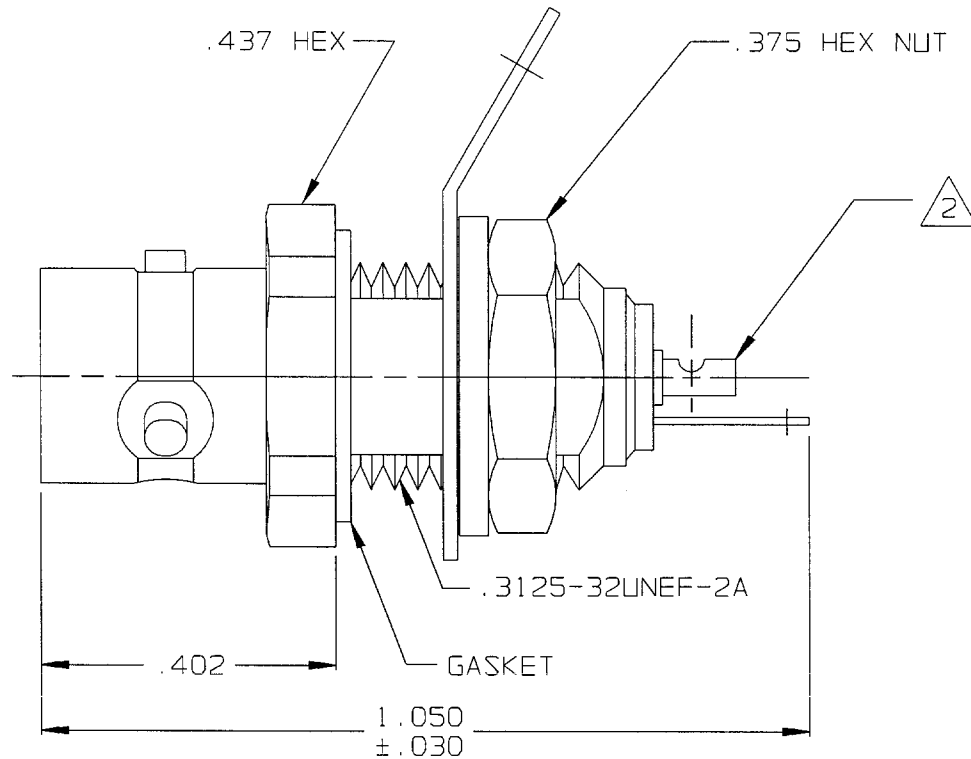
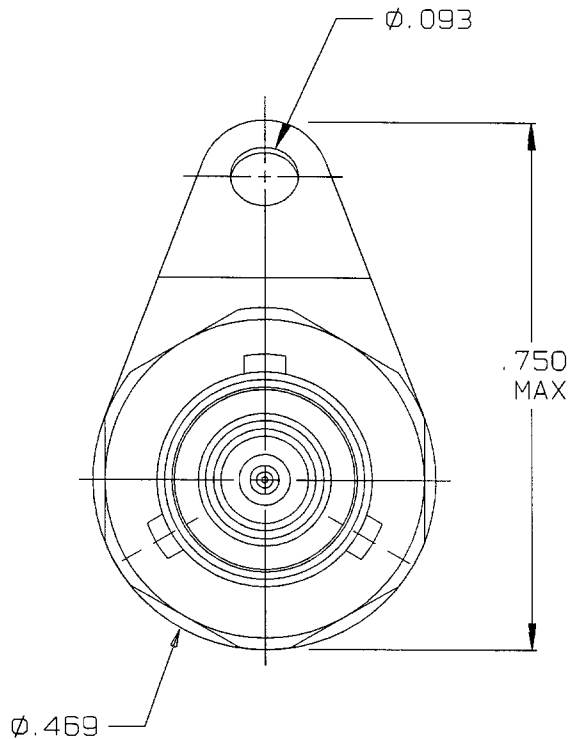
DATA CONTAINED IN THIS DOCUMENT IS PROPRIETARY TO TROMPETER ELECTRONICS INC. AND SHALL NOT BE DISCLOSED, COPIED OR USED FOR PROCUREMENT OR MANUFACTURE WITHOUT EXPRESS WRITTEN PERMISSION OF TROMPETER ELECTRONICS INC.

REVISIONS

3-0027

SH !

REV	DESCRIPTION	DATE	APPROVED
N	REVISED PER ECO 14980	3/10/03	WJ



RECOMMENDED
PANEL CUTOUT
SCALE: 1/2

RED INDICATES ORIGINAL

3. SUBMINIATURE TRIAXIAL
SOLDER POT BULKHEAD
RECEPTACLE (TPS STYLE)

△ SOLDER POT ACCEPTS ϕ .034 MAX
CONDUCTOR

1. MAX PANEL THK: .187

INTERPRET DRAWING PER MIL-STD-100 DIMENSIONS ARE IN INCHES AND INCLUDE FINISH THICKNESS UNLESS OTHERWISE SPECIFIED	TOL: UNLESS SPECIFIED .XX .XXX ± .005 .XXXX	<p>TROMPETER ELECTRONICS, INC.</p>	TITLE: BJ157	
DRAWN: AAH CHECKED: JCM QUALITY: [Signature] DATE: 3-17-03	MATERIAL:		SIZE: A	CAGE CODE: 14949
DATE: 3-18-03 DATE: 3/18/03 DATE: 3/18/03	FINISH:	SCALE: NONE	DATE: 12-22-75	REV. N
NEXT ASSY	CAD FILE NO: 3-0027N	DO NOT SCALE DWG	SHEET 1C	

X-ON Electronics

Largest Supplier of Electrical and Electronic Components

Click to view similar products for [RF Connectors / Coaxial Connectors](#) category:

Click to view products by [Bel Fuse](#) manufacturer:

Other Similar products are found below :

[8915-1511-000](#) [89674-0827](#) [6001-7071-019](#) [6002-7051-003](#) [6002-7551-202](#) [6059674-1](#) [619550-1](#) [630059-000](#) [M39030/3-01N](#) [6500-7071-046](#) [6769](#) [CX050L2AQ](#) [7002-1541-010](#) [7002-1542-011](#) [7004-1512-000](#) [7009-1511-004](#) [7010-1511-000](#) [7029-1511-060](#) [7101-1541-010](#) [7101-1571-002](#) [7145-1521-002](#) [7203-1571-003](#) [7209-1511-011](#) [7210-1511-015](#) [7210-1511-019](#) [73137-5015](#) [73216-2241](#) [73404-2300](#) [7405-1521-005](#) [7405-1521-802](#) [8527](#) [8547](#) [FS11V](#) [877931](#) [8808-1511-001](#) [9049-9513-000](#) [9074-9513-000](#) [9101-9573-002](#) [910A205F](#) [9130-9573-002](#) [PL11SC-026](#) [PL375-33](#) [PL40-5](#) [PL74C-221](#) [PL75MC-217](#) [PL803-7](#) [1200690078](#) [1-201144-1](#) [R107003010W](#) [R110A172100](#)