

MODEL NUMBER	DESCRIPTION	SCREWS SUPPLIED	FIGURE
BJ157F-2C	2 HOLE, \varnothing .103 CLEARANCE	—	1
BJ157F-2T	2 HOLE, THREADED 3-56 UNF-2B	—	
BJ157F-2CS	2 HOLE, \varnothing .103 CLEARANCE	PAN HEAD 3-56 X 5/16	
BJ157F-2TS	2 HOLE, THREADED 3-56 UNF-2B	PAN HEAD 3-56 X 5/16	
BJ157F-4C	4 HOLE, \varnothing .103 CLEARANCE	—	2
BJ157F-4T	4 HOLE, THREADED 3-56 UNF-2B	—	
BJ157F-4CS	4 HOLE, \varnothing .103 CLEARANCE	PAN HEAD 3-56 X 5/16	
BJ157F-4TS	4 HOLE, THREADED 3-56 UNF-2B	PAN HEAD 3-56 X 5/16	

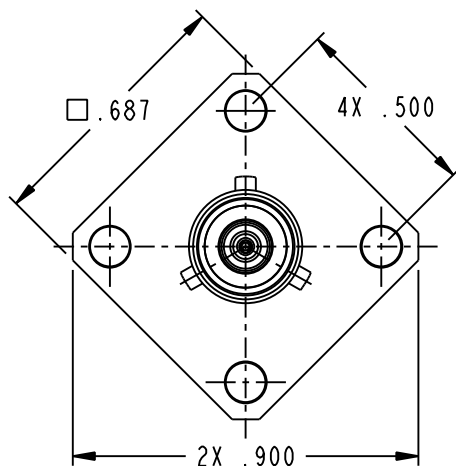
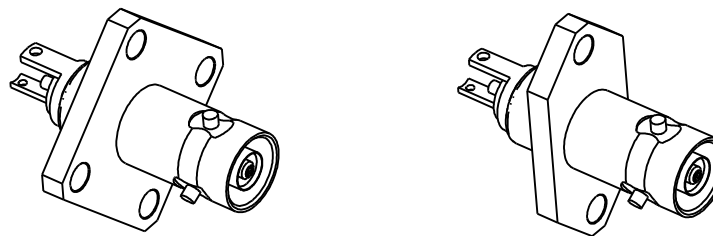


FIGURE 2
BJ157F-4C SHOWN

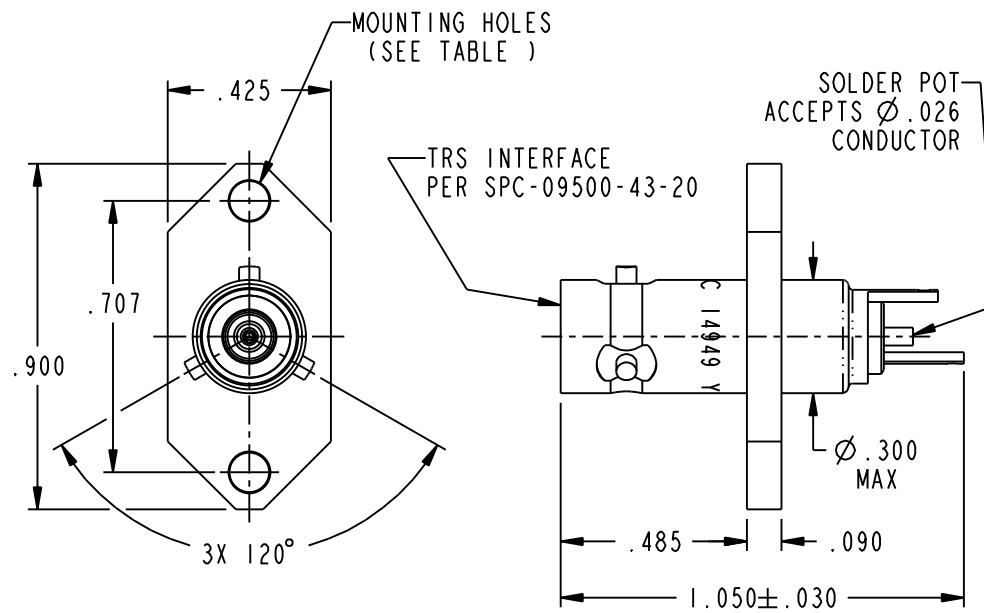


FIGURE 1
BJ157F-2C SHOWN

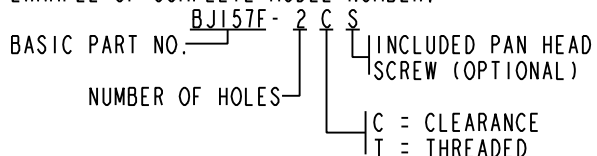
NOTES: UNLESS OTHERWISE SPECIFIED.

1. MATERIAL & FINISH:
 - 1.1 BODY: NICKEL PLATED BRASS
 - 1.2 INSULATOR: PTFE (TEFLON)
 - 1.3 INTERMEDIATE CONTACT: GOLD PLATED BRASS
 - 1.4 DIELECTRIC: PTFE (TEFLON)
 - 1.5 CENTER CONTACT: GOLD PLATED BERYLLIUM COPPER
 - 1.6 SCREWS: STAINLESS STEEL

2. ELECTRICAL:
 - 2.1 FREQUENCY (MAX): 500 MHz
 - 2.2 IMPEDANCE: NON-CONSISTENT

3. PANEL THICKNESS (MAX): .187

4. EXAMPLE OF COMPLETE MODEL NUMBER:



 <small>This PROPRIETARY Document is property of Cinch Connectivity Solutions. It is confidential in nature, non-transferable, and issued with the clear understanding that it is not to be traced or copied without permission and is returnable upon demand.</small> <small>INTERPRET DRAWING IN ACCORDANCE WITH ASME Y14.5-2009.</small>	3RD ANGLE PROJECTION 	TROMPETER	
	RoHS2 <input checked="" type="checkbox"/> 2011/65/EU <small>UNLESS OTHERWISE SPECIFIED UNITS: INCH</small> .XX ± .02 .XXX ± .010 ANGLES ± 2°	Title: TRS 2 OR 4 HOLE FLANGE MOUNT BULKHEAD MOUNT JACK Model No.: BJ157F-XXX Size: A	DO NOT SCALE DRAWING

X-ON Electronics

Largest Supplier of Electrical and Electronic Components

Click to view similar products for [RF Connectors / Coaxial Connectors](#) category:

Click to view products by [Bel Fuse](#) manufacturer:

Other Similar products are found below :

[8915-1511-000](#) [89674-0827](#) [6001-7071-019](#) [6002-7051-003](#) [6002-7551-202](#) [6059674-1](#) [619550-1](#) [630059-000](#) [M39030/3-01N](#) [6500-7071-046](#) [6769](#) [CX050L2AQ](#) [7002-1541-010](#) [7002-1542-011](#) [7004-1512-000](#) [7009-1511-004](#) [7010-1511-000](#) [7029-1511-060](#) [7101-1541-010](#) [7101-1571-002](#) [7145-1521-002](#) [7203-1571-003](#) [7209-1511-011](#) [7210-1511-015](#) [7210-1511-019](#) [73137-5015](#) [73216-2241](#) [73404-2300](#) [7405-1521-005](#) [7405-1521-802](#) [8527](#) [8547](#) [FS11V](#) [877931](#) [8808-1511-001](#) [9049-9513-000](#) [9074-9513-000](#) [9101-9573-002](#) [910A205F](#) [9130-9573-002](#) [PL11SC-026](#) [PL375-33](#) [PL40-5](#) [PL74C-221](#) [PL75MC-217](#) [PL803-7](#) [1200690078](#) [1-201144-1](#) [R107003010W](#) [R110A172100](#)