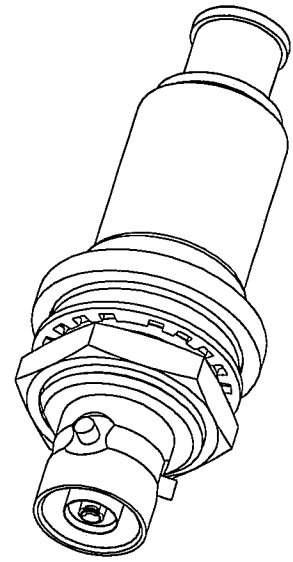


DASH NUMBER	CABLES ACCOMMODATED	A DIM	B HEX	ASSEMBLE PER
-201	MI7/176-00002			
-202	TWC-78-1			
-203	TWC-124-1A	1.164	.255	TAI-143
-204	10602, RAYCHEM			
-205	TWAC-78-1F2			
-206	7826D0130, RAYCHEM			
-207	83310 BELDEN	1.289	.344	TAI-167
-208	202-3927, MICRODOT	1.164	.255	TAI-143
-209	202-3942, MICRODOT			
-210	8451 BELDEN			TAI-167
-211	202-3934 MICRODOT			
-212	2524E0114, RAYCHEM			
-213	TWC-78-2	1.289	.344	TAI-144
-214	TWC-124-2			
-215	BL-982 TIMES			
-216	BL-1242 TIMES			
-217	GC875TM24H, GRUMMAN			
-218	EPD221888, RAYCHEM			
-219	2526D1114, RAYCHEM			
-220	GC875RR1, GRUMMAN	1.164	.255	TAI-143
-221	10614, RAYCHEM			
-222	10613, RAYCHEM			
-223	HMS2-1149, HUGHES			

DASH NUMBER	CABLES ACCOMMODATED	A DIM	B HEX	ASSEMBLE PER
-224	TWCP-124-3			
-225	PS665PL, PRIME STOCK	1.289	.344	TAI-144
-301	GC875GC1, GRUMMAN			
-302	GC875GB1, GRUMMAN	1.164	.255	TAI-157
-303	5022E5111, RAYCHEM			
-304	7528A5314, RAYCHEM			
-305	MI7/177-00001			
-306	295-3804 MICRODOT	1.289	.344	TAI-173
-307	TRC-50-2			
-308	MI7/134-00002			
-309	TRC-75-1			TAI-198
-310	TRC-75-2			TAI-173
-311	TRC-50-1	1.164	.255	TAI-157

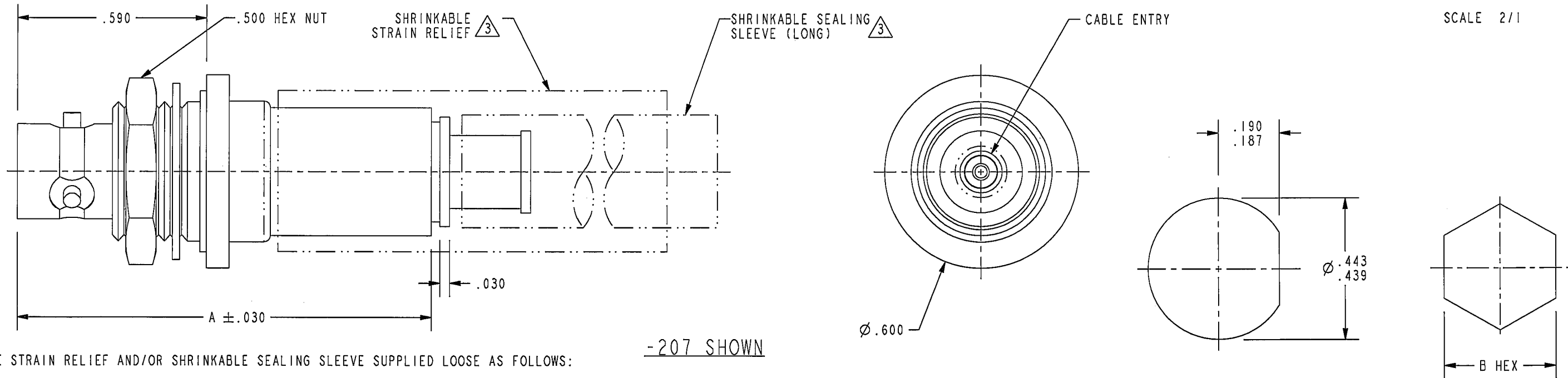
DATA CONTAINED IN THIS DOCUMENT IS PROPRIETARY OF TROMPETER ELECTRONICS INC. AND SHALL NOT BE DISCLOSED, COPIED OR USED FOR PROCUREMENT OR MANUFACTURE WITHOUT EXPRESS WRITTEN PERMISSION.

REVISIONS			
REV	DESCRIPTION	DATE	APPROVED
C	REVISED PER ECO 15586	8-19-04	WJ



RED INDICATES ORIGINAL

SCALE 2/1



-207 SHOWN

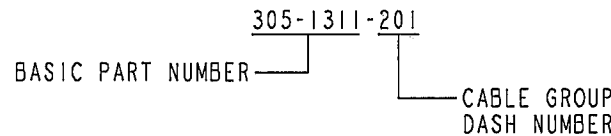
3 | SHRINKABLE STRAIN RELIEF AND/OR SHRINKABLE SEALING SLEEVE SUPPLIED LOOSE AS FOLLOWS:

- A) CABLE GROUPS -207, -210 AND -307:
 - 1 SHRINKABLE STRAIN RELIEF (1.00" LONG)
 - 1 SHRINKABLE SEALING SLEEVE (1.25" LONG)
- B) CABLE GROUPS -201 THROUGH -206, -208, -209, -217 THROUGH -223, -301, -302, -303 AND -309:
 - 1 SHRINKABLE SEALING SLEEVE (1.25" LONG)
- C) CABLE GROUPS -211 THROUGH -216, -224, -225, -305, -306 AND -308
 - 1 SHRINKABLE STRAIN RELIEF (1.75" LONG)

7 | CHECK WITH CABLE MANUFACTURER FOR OUTGASSING PROPERTIES OF THE SELECTED CABLE

6. ALL MATERIALS MEET THE OUTGASSING REQUIREMENTS OF NASA SPECIFICATION SP-R-0022A AND TEI VACUUM READY SPECIFICATION TT-09

5. EXAMPLE OF COMPLETE PART NUMBER:



4. MAXIMUM PANEL THICKNESS: .125

RECOMMENDED PANEL CUTOUT SCALE 3/1

RECOMMENDED HEX CRIMP SCALE: NONE

1. FINISH: TFS-1A (NICKEL)
NOTES: UNLESS OTHERWISE SPECIFIED.

INTERPRET DRAWING PER MIL-STD-100. DIMENSIONS ARE IN INCHS AND INCLUDE FINISH THICKNESS UNLESS OTHERWISE SPECIFIED		TOL: UNLESS SPECIFIED .XX ± .02 .XXX ± .010 ANGLE ± 1°			
DRN	L.M.	8-16-04	MATERIAL		
CHK	TJH	8-17-04	FINISH	BJ159AC VACUUM READY	
QUALITY	CPS	8-19-04			
MANUF	BP	8-18-04	SIZE	CAGE CODE	DRAWING NO.
APPROVED	WJ	E/12/04	B	14949	305-1311
PROJ FILE NO.	305-1311		SCALE	3/1	DATE
NEXT ASSY			DO NOT SCALE DWG	1-6-99	SHEET
				IC	REV
					C

X-ON Electronics

Largest Supplier of Electrical and Electronic Components

Click to view similar products for [RF Connectors / Coaxial Connectors](#) category:

Click to view products by [Bel Fuse](#) manufacturer:

Other Similar products are found below :

[8915-1511-000](#) [89674-0827](#) [6001-7071-019](#) [6002-7051-003](#) [6002-7551-202](#) [6059674-1](#) [619550-1](#) [630059-000](#) [M39030/3-01N](#) [6500-7071-046](#) [6769](#) [CX050L2AQ](#) [7002-1541-010](#) [7002-1542-011](#) [7004-1512-000](#) [7009-1511-004](#) [7010-1511-000](#) [7029-1511-060](#) [7101-1541-010](#) [7101-1571-002](#) [7145-1521-002](#) [7203-1571-003](#) [7209-1511-011](#) [7210-1511-015](#) [7210-1511-019](#) [73137-5015](#) [73216-2241](#) [73404-2300](#) [7405-1521-005](#) [7405-1521-802](#) [8527](#) [8547](#) [FS11V](#) [877931](#) [9049-9513-000](#) [9074-9513-000](#) [9101-9573-002](#) [910A205F](#) [9130-9573-002](#) [PL11SC-026](#) [PL375-33](#) [PL40-5](#) [PL74C-221](#) [PL75MC-217](#) [PL803-7](#) [980-8666-005](#) [1200690078](#) [1-201144-1](#) [R107003010W](#) [R110A172100](#)