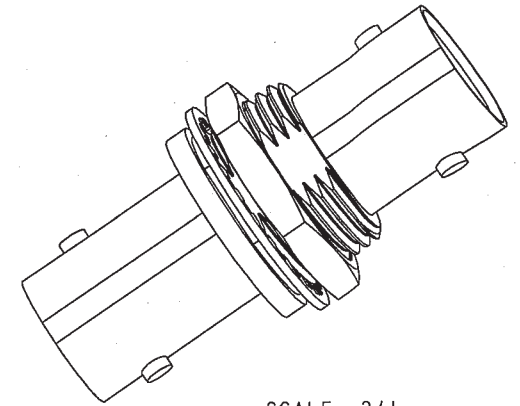
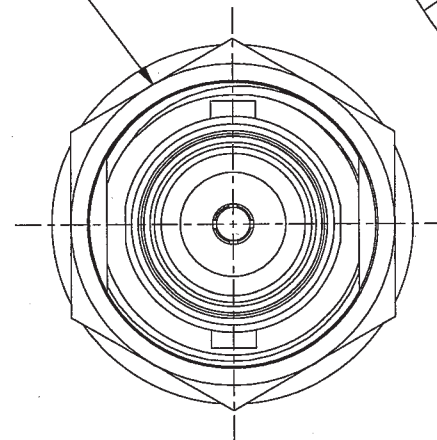
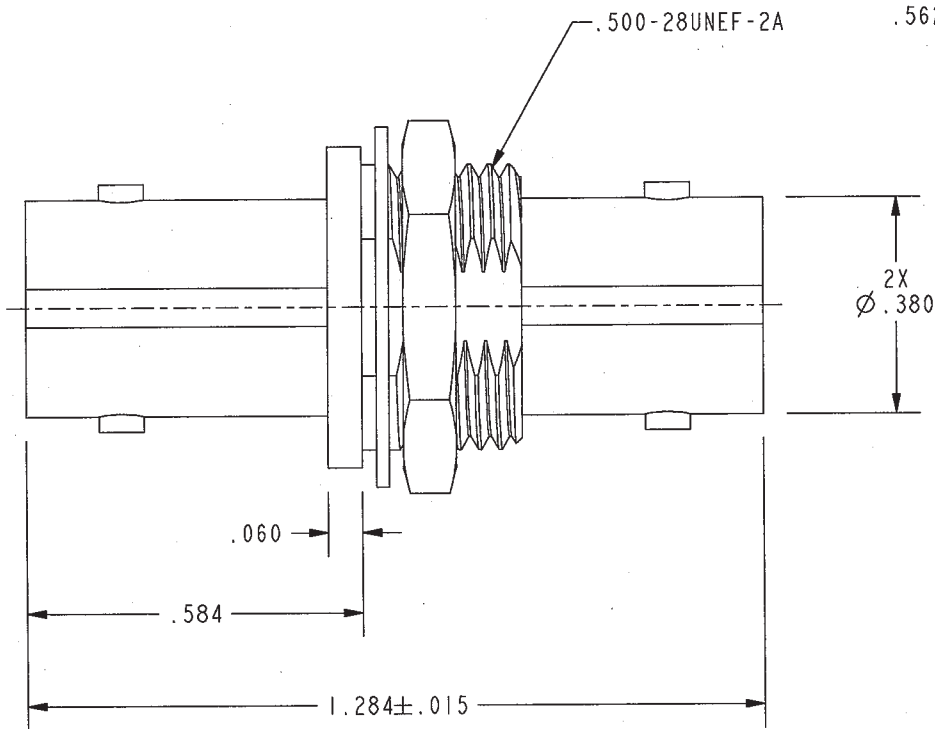


DASH NUMBER	MODEL NUMBER	IMPD OHMS
-1	BJ224	50
-2	UBJ224	75

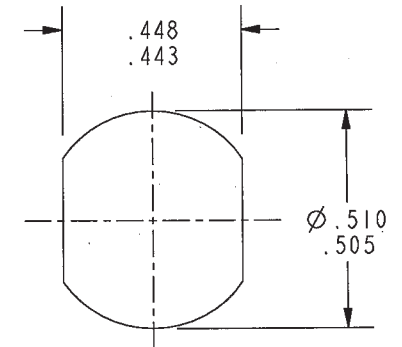
DATA CONTAINED IN THIS DOCUMENT IS PROPRIETARY TO EMERSON CONNECTIVITY SOLUTIONS AND SHALL NOT BE DISCLOSED, COPIED OR USED FOR PROCUREMENT OR MANUFACTURE WITHOUT EXPRESS WRITTEN PERMISSION

REVISIONS			
REV	DESCRIPTIONS	DATE	APPROVED
B	REVISED PER ECO 16588	9/22/09	<i>Lm</i>

RED INDICATES ORIGINAL



SCALE 2/1




RECOMMENDED
PANEL CUTOUT
SCALE 3/1

3. SOCKET CONTACT COAXIAL BNC TYPE
NON-INSULATED FEED THRU BULKHEAD
JACK, 50 AND 75 Ω VERSIONS

2. MAXIMUM PANEL THICKNESS: .156

1. FINISH: TFS-1A, (NICKEL)

NOTES: UNLESS OTHERWISE SPECIFIED.

INTERPRET DRAWING PER MIL-STD-100. DIMENSIONS ARE IN INCHES AND INCLUDE FINISH THICKNESS UNLESS OTHERWISE SPECIFIED.		TOL: UNLESS SPECIFIED. .XX ± .02 .XXX ± .010 ANGLE ± 1°		 Cinch Connectivity Solutions 299 Johnson Ave. Ste. 100 Waseca, MN 56093 1-800-247-8256	
DRN M JOHNSON	9-16-09	MATERIAL:	TITLE: BJ224/UBJ224		
CHK <i>Lm</i>	9/16/09	FINISH:	SIZE A	CAGE CODE 14949	DRAWING NO. 1-0590
QUALITY			SCALE 3/1	DATE 10-11-00	REV. B
MANUF		DO NOT SCALE DWG	SHEET IC		
APPROVED <i>Lm</i>	9/16/09	PROVE FILE NO. 1-0590			

X-ON Electronics

Largest Supplier of Electrical and Electronic Components

Click to view similar products for [RF Adapters - In Series category:](#)

Click to view products by [Bel Fuse manufacturer:](#)

Other Similar products are found below :

[5916-1103-603](#) [5919-1503-000](#) [5919-9503-000](#) [651A505](#) [82-5552](#) [9030-9523-502](#) [PN2C](#) [A0407000](#) [R114703000W](#) [R125771001](#)
[R127871001](#) [R141710000W](#) [R141723161](#) [R141730000](#) [R143730700](#) [R143770000](#) [R161703000W](#) [R161753000W](#) [R161791530W](#)
[R201705000](#) [R222705200](#) [R222M40010W](#) [R223703180](#) [R316754000](#) [R405006000](#) [R443162000](#) [AD78TL](#) [HRM-513S](#) [1996352-2](#)
[2157155-1](#) [252169-75](#) [AD158](#) [2101130-1](#) [252186](#) [R114704000W](#) [R114720000W](#) [R125705001](#) [R125705701](#) [R125771000](#) [R125771001W](#)
[R127704001](#) [R127.870.001](#) [R127872001](#) [R141717000](#) [R142710000](#) [R142723000](#) [R143703000](#) [R143704000](#) [R143705700](#) [R143710000](#)