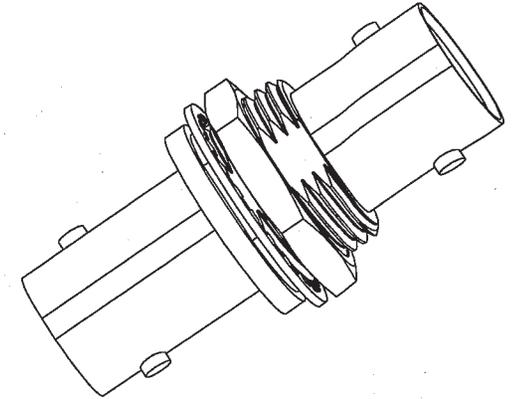
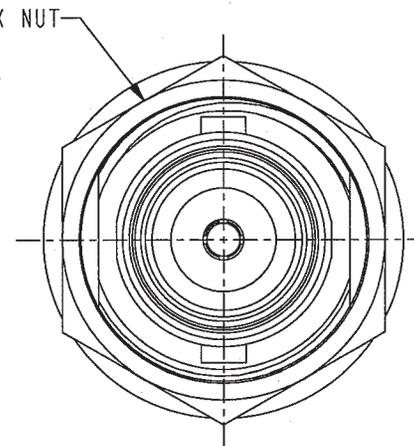
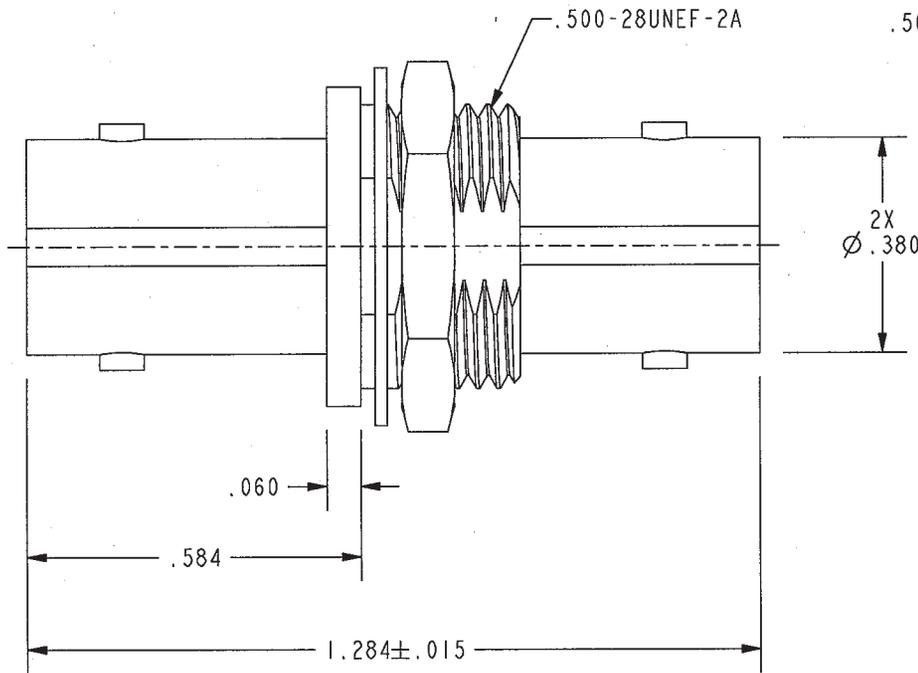


DASH NUMBER	MODEL NUMBER	OHMS
-1	BJ24	50
-2	UBJ24	75

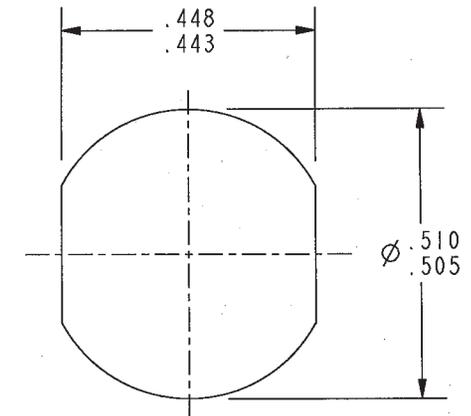
DATA CONTAINED IN THIS DOCUMENT IS PROPRIETARY TO EMERSON CONNECTIVITY SOLUTIONS AND SHALL NOT BE DISCLOSED, COPIED OR USED FOR PROCUREMENT OR MANUFACTURE WITHOUT EXPRESS WRITTEN PERMISSION

REVISIONS			
REV	DESCRIPTIONS	DATE	APPROVED
F	REVISED PER ECO 16713	9/22/09	<i>Zm</i>

RED INDICATES ORIGINAL



SCALE 2/1



RECOMMENDED PANEL CUTOUT SCALE 3/1

3. SOCKET CONTACT COAXIAL BNC TYPE NON-INSULATED FEED THRU BULKHEAD JACK, 50 AND 75 Ω VERSIONS

2. MAXIMUM PANEL THICKNESS .156

1. FINISH: TFS-1A, (NICKEL)

NOTES: UNLESS OTHERWISE SPECIFIED.

INTERPRET DRAWING PER MIL-STD-100. DIMENSIONS ARE IN INCHES AND INCLUDE FINISH THICKNESS UNLESS OTHERWISE SPECIFIED.		TOL: UNLESS SPECIFIED. .XX ± .02 .XXX ± .010 ANGLE ± 1°		 Cinch Connectivity Solutions 299 Johnson Ave. Ste. 100 Waseca, MN 56093 1-800-247-8256
DRN H JOHNSON	9-16-09	MATERIAL:	TITLE: BJ24/UBJ24	
CHK <i>Zm</i>	9/17/09	FINISH:	SIZE A 14949	
QUALITY			CAGE CODE 1-0509	
MANUF			DRAWING NO. 1-0509	
APPROVED <i>Zm</i>	9/17/09	DO NOT SCALE DWG.	SCALE 3/1	
PROJ FILE NO. 1-0509			DATE 2-3-93	
NEXT ASSY			SHEET IC	
			REV. F	

X-ON Electronics

Largest Supplier of Electrical and Electronic Components

Click to view similar products for [RF Adapters - In Series](#) category:

Click to view products by [Bel Fuse](#) manufacturer:

Other Similar products are found below :

[5916-1103-603](#) [5919-1503-000](#) [651A505](#) [82-5552](#) [9030-9523-502](#) [PN2C](#) [A0407000](#) [R114703000W](#) [R125771001](#) [R141710000W](#)
[R141723161](#) [R141730000](#) [R143730700](#) [R143770000](#) [R161703000W](#) [R161753000W](#) [R161791530W](#) [R201705000](#) [R222705200](#)
[R222M40010W](#) [R223703180](#) [R316754000](#) [R405006000](#) [R443162000](#) [AD78TL](#) [HRM-513S](#) [1996352-2](#) [2157155-1](#) [252169-75](#) [AD158](#)
[2101130-1](#) [252186](#) [R114704000W](#) [R114720000W](#) [R125705001](#) [R125705701](#) [R125771000](#) [R125771001W](#) [R127704001](#) [R127.870.001](#)
[R127872001](#) [R141717000](#) [R142710000](#) [R142723000](#) [R143703000](#) [R143704000](#) [R143705700](#) [R161715000W](#) [R161771000W](#) [R176754000](#)