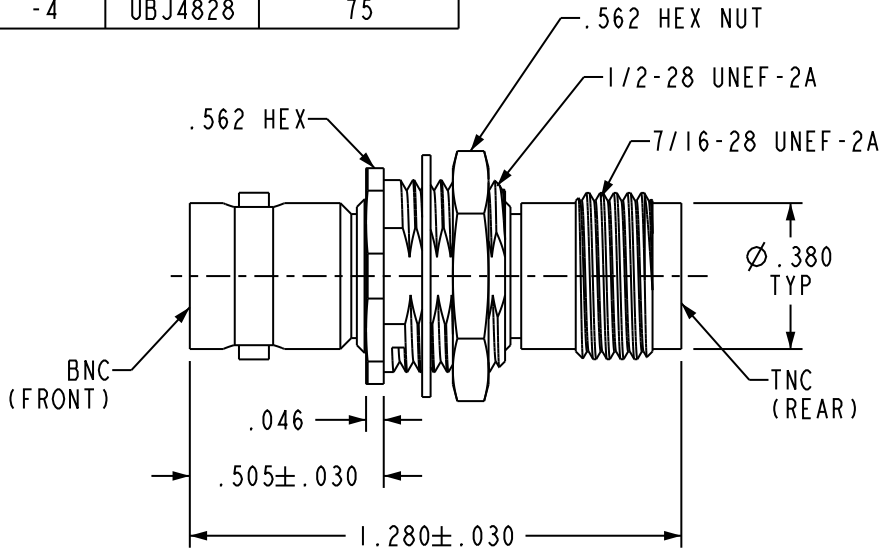


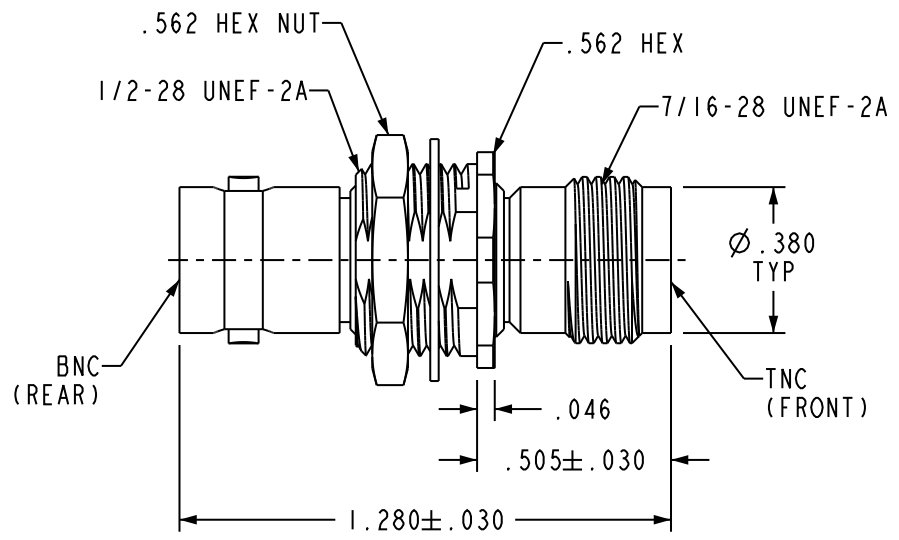
| DASH # | MODEL # | IMPEDANCE Ω |
|--------|---------|--------------------|
| -1 | BJ2848 | 50 |
| -2 | UBJ2848 | 75 |
| -3 | BJ4828 | 50 |
| -4 | UBJ4828 | 75 |

DATA CONTAINED IN THIS DOCUMENT IS PROPRIETARY TO EMERSON CONNECTIVITY SOLUTIONS AND SHALL NOT BE DISCLOSED, COPIED OR USED FOR PROCUREMENT OR MANUFACTURE WITHOUT EXPRESS WRITTEN PERMISSION

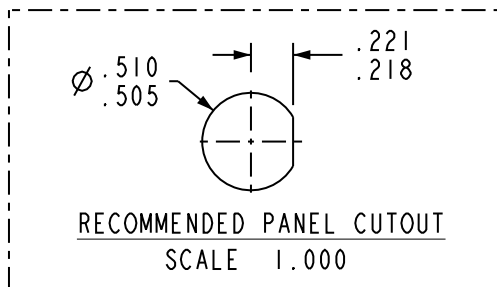
| REVISIONS | | | |
|-----------|--------------|---------|-----------|
| REV | DESCRIPTIONS | DATE | APPROVED |
| B | ECO 52951 | 1-26-11 | T. KOHLER |



-1 & -2 SHOWN




-3 & -4 SHOWN



3. SOCKET CONTACT COAXIAL BNC/TNC TYPE INSULATED FEED THRU BULKHEAD BOTH 50 & 75 OHM VERSION
2. MAX PANEL THK .156
1. FINISH: TFS-1A, (NICKEL)

NOTES: UNLESS OTHERWISE SPECIFIED.

| | | | | | |
|--|---------------------------|---|--------------------------------|--|-------------------------|
| INTERPRET DRAWING PER MIL-STD-100. DIMENSIONS ARE IN INCHES AND INCLUDE FINISH THICKNESS UNLESS OTHERWISE SPECIFIED. | | TOL: UNLESS SPECIFIED. .XX ± .01 .XXX ± .003 .XXXX ± .0010 ANGLE ± 1° 00' CRITICAL | |  Cinch Connectivity Solutions 299 Johnson Ave. Ste. 100 Waseca, MN 56093 1-800-247-8256 | |
| DRN B. RYAN | 4-8-11 | MATERIAL: | TITLE: U/BJ2848 U/BJ4828 | | |
| CHK T. KOHLER | 4-8-11 | FINISH: | SIZE A | CAGE CODE 14949 | DRAWING NO. 105-1049 |
| QUALITY | | | SCALE 2/1 | DATE 3-19-81 | REV. B |
| MANUF | | DO NOT SCALE DWG | SHEET 1 | OF 2 | |
| APPROVED | | | | | |
| SURFACE AREA | PROJ FILE NO. 105-1049 | | | | |

X-ON Electronics

Largest Supplier of Electrical and Electronic Components

Click to view similar products for [RF Adapters - Between Series category:](#)

Click to view products by [Bel Fuse manufacturer:](#)

Other Similar products are found below :

[5945-9503-000](#) [MCX/F-SMA/M](#) [R192417010](#) [ADBJ20-E1-BJ379](#) [ADM2](#) [ADPL75-A1-PL75](#) [242191](#) [9317505](#) [29-3835P](#) [AD130](#) [ADBJ20-E1-PL74](#) [ADBJ20-E2-BJ79](#) [ADBJ77-E1-UPL20](#) [ADRMF370](#) [242215](#) [242228](#) [R125680000W](#) [R192430000](#) [UAD95](#) [1057367-1](#) [8311505](#) [R114704000](#) [R451034500](#) [R451030500](#) [R451543000](#) [HDVDPN](#) [ADBJ20-K1-PL20](#) [R451570000](#) [R192419000](#) [R451034000](#) [J9](#) [J3WE-5](#) [R451032500](#) [242201RP](#) [17K132-K00S5](#) [AD-RSMAF-RTNC](#) [53K156-K00N5](#) [02K119-K00E3](#) [29S132-K01N5](#) [53S156-K00N5](#) [02S119-S00E3](#) [28K132-K00N5](#) [02S109-K00S3](#) [27-8200TP](#) [242235](#) [ADBJ20-E1-BJ89](#) [000-2900](#) [321-102-003 \(SMA-50/2-H155/W1.03 AU\)](#) [1057377-1](#) [321-350-001 \(SMA-50-R/2-RG316/N2.01\)](#)