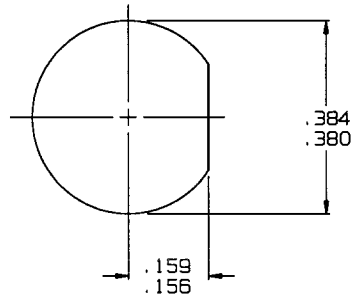
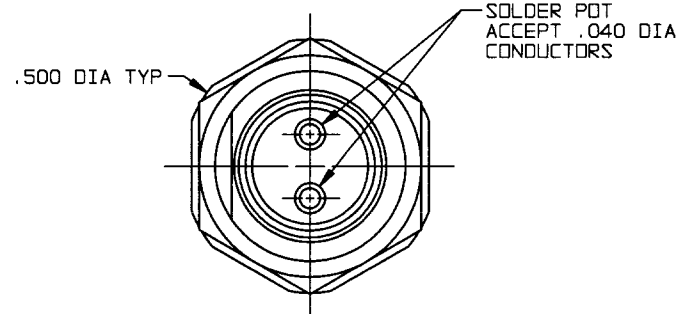
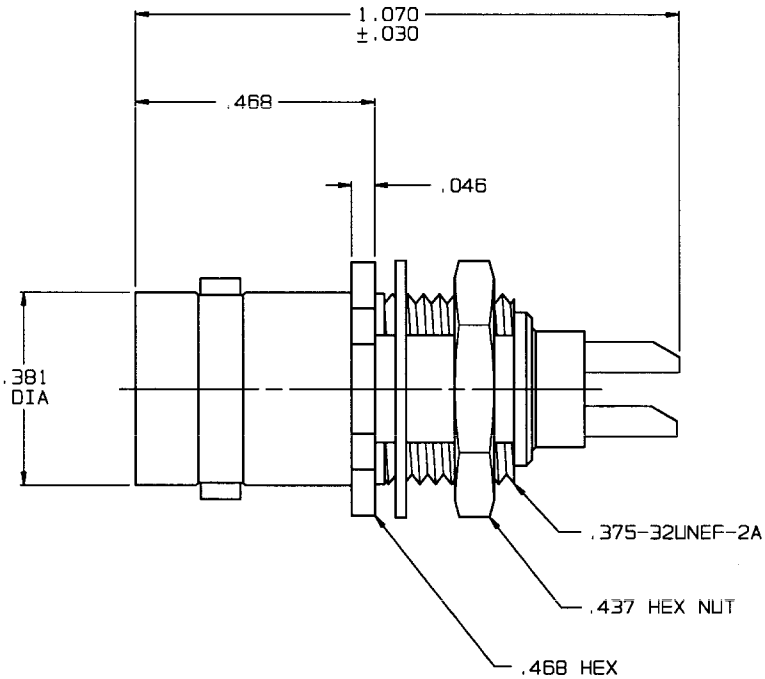


RED INDICATES ORIGINAL

INCH	MM
.005	0.13
.030	0.76
.040	1.02
.046	1.17
.130	3.30
.156	3.96
.159	4.04
.380	9.65
.381	9.68
.384	9.75
.437	11.10
.468	11.89
.500	12.70
1.070	27.18

DISK # G2
 DWG SIZE B
 DATA CONTAINED IN THIS DOCUMENT IS PROPRIETARY TO TROMPETER ELECTRONICS INC. AND SHALL NOT BE DISCLOSED, COPIED OR USED FOR PROCUREMENT OR MANUFACTURE WITHOUT EXPRESS WRITTEN PERMISSION.

REVISIONS			2-0004		SH 2
REV	ECD	DESCRIPTION	DWN	APPROVED	DATE
G	10157	ADDED LOCK PIN OPTION; SH 2, ADDED NOTES 1 THRU 4; DRAWING NUMBER WAS 2000-0004; REVISED & REDRAWN; GENERAL UPDATE	DKC	<i>Bm; FR</i>	6/1/93



RECOMMENDED
 PANEL CUTOUT

1. ALL DIM ARE IN INCHES
2. FINISH: TFS-1A (NICKEL)
3. MAX PANEL THICKNESS .130
5. LOCKWASHER OMITTED FROM END VIEW FOR CLARITY

QTY	DESCRIPTION		PART NUMBER	ITEM		
TOL UNLESS SPECIFIED		TROMPETER ELECTRONICS, INC.	BJ30	REV		
.XX ±						
.XXX ± .005						
.XXXX ±						
ANGLES ±						
305-0187	DWN	DKC 5-18-93	MATERIAL	CODE IDENT	DRAWING NO.	REV
205-0037	CHK	<i>Bm 5-18-93</i>	—	14949	2-0004	G
NEXT ASSY	ENGR	—	SCALE 4/1	DATE 2-7-66	SHEET 1 OF 2	
	APPR	<i>FR 6/1/93</i>				

X-ON Electronics

Largest Supplier of Electrical and Electronic Components

Click to view similar products for [RF Connectors / Coaxial Connectors](#) category:

Click to view products by [Bel Fuse](#) manufacturer:

Other Similar products are found below :

[8915-1511-000](#) [89674-0827](#) [6001-7071-019](#) [6002-7051-003](#) [6002-7551-202](#) [6059674-1](#) [619550-1](#) [630059-000](#) [M39030/3-01N](#) [6500-7071-046](#) [6769](#) [CX050L2AQ](#) [7002-1541-010](#) [7002-1542-011](#) [7004-1512-000](#) [7009-1511-004](#) [7010-1511-000](#) [7029-1511-060](#) [7101-1541-010](#) [7101-1571-002](#) [7145-1521-002](#) [7203-1571-003](#) [7209-1511-011](#) [7210-1511-015](#) [7210-1511-019](#) [73137-5015](#) [73216-2241](#) [73404-2300](#) [7405-1521-005](#) [7405-1521-802](#) [8527](#) [8547](#) [FS11V](#) [877931](#) [8808-1511-001](#) [9049-9513-000](#) [9074-9513-000](#) [9101-9573-002](#) [910A205F](#) [9130-9573-002](#) [PL11SC-026](#) [PL375-33](#) [PL40-5](#) [PL74C-221](#) [PL75MC-217](#) [PL803-7](#) [1200690078](#) [1-201144-1](#) [R107003010W](#) [R110A172100](#)