

# RED INDICATES ORIGINAL

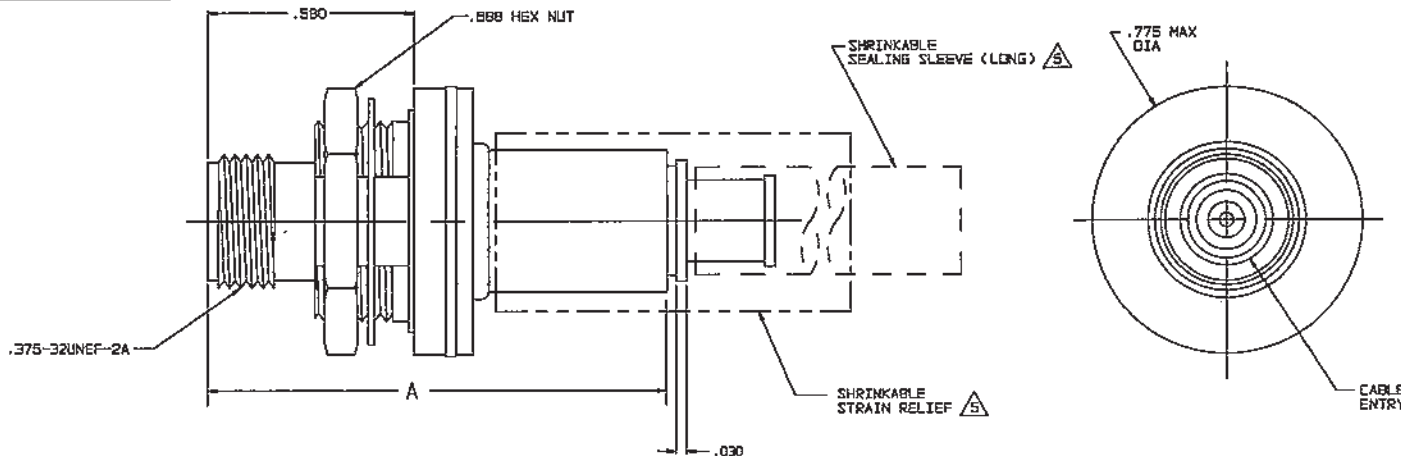
DASH NO	CABLES ACCOMMODATED	A DIM	B HEX	ASSEMBLE PER
-201	M17/176-0002	1.164	.255	TAI-143
-202	TWC-78-1			
-203	TWC-124-1A			
-204	10502, RAYCHEM			
-205	TWAC-78-1F2			
-206	782800130, RAYCHEM	1.289	.344	TAI-187
-207	83310 BELOEN			
-208	202-3927 MICRODOT			
-209	202-3942 MICRODOT			
-210	B451 BELOEN			
-211	202-3934 MICRODOT	1.289	.344	TAI-144
-212	2524E0114, RAYCHEM			
-213	TWC-78-2			
-214	TWC-124-2			
-215	BL-982 TIMES			
-216	BL-1242 TIMES	1.164	.255	TAI-143
-217	GC875TM24H, GRUMMAN			
-218	EPC 221888, RAYCHEM			
-219	252601114, RAYCHEM			
-220	GC875RR1, GRUMMAN			
-221	10614, RAYCHEM	1.289	.344	TAI-144
-222	10613, RAYCHEM			
-223	HMS2-114B, HUGHES			
-224	TWCP-124-3			
-225	PS685PL, PRIME STOCK			

DATA CONTAINED IN THIS DOCUMENT IS PROPRIETARY TO TROMPETER ELECTRONICS INC. AND SHALL NOT BE DISCLOSED, COPIED OR USED FOR REPRODUCTION OR MANUFACTURING WITHOUT EXPRESS WRITTEN PERMISSION.

REVIEWS			3-0231	SH 1	
REV	ED	DESCRIPTION	DWN	APPROVED	DATE
K	12391	ADDED -224 & -225; SEE ECO	DBN	TAM	6/29/98

DASH NO	CABLES ACCOMMODATED	A DIM	B HEX	ASSEMBLE PER
-301	GC875GC1, GRUMMAN	1.164	.255	TAI-157
-302	GC875GB1, GRUMMAN			
-303	502265111, RAYCHEM			
-304	7528A5314, RAYCHEM	1.289	.344	TAI-173
-305	M17/177-00001/295-3804 MICRODOT			
-306	TRC-50-2			
-307	M17/134-00002			
-308	TRC-75-1			
-309	TRC-75-2	1.164	.255	TAI-157
-308	TRC-75-1			

INCH	MM
.005	0.13
.030	0.76
.118	2.95
.255	6.48
.257	6.53
.280	6.80
.344	8.74
.557	14.40
.572	14.53
.580	14.73
.688	17.48
.775	19.69
1.00	25.40
1.164	29.57
1.25	31.75
1.289	32.74
1.75	44.45

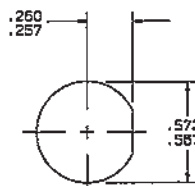


-207 SHOWN

- 1 SHRINKABLE STRAIN RELIEF AND/OR SHRINKABLE SEALING SLEEVE SUPPLIED LOOSE AS FOLLOWS:
- CABLE GROUPS -207, -210 & -307;  
1 SHRINKABLE STRAIN RELIEF (1.00 LONG)  
1 SHRINKABLE SEALING SLEEVE (1.25 LONG)
  - CABLE GROUPS -201 THROUGH -206, -208, -209, -217 THROUGH -223, -301, -302, -303 & -309  
1 SHRINKABLE SEALING SLEEVE (1.25 LONG)
  - CABLE GROUPS -211 THROUGH -216, -305, -308 & -309  
1 SHRINKABLE STRAIN RELIEF (1.75 LONG)

- MAX PANEL THK .118
- 4-LUG SUBMINIATURE CONCENTRIC TWINAX (4 PIECE ASSY) AND TRIAX (8 PIECE ASSY) FULL CRIMP INSULATED BULKHEAD MOUNT RECEPTACLE
- FINISH: TFS-1A (NICKEL)
- ALL DIMENSIONS ARE IN INCHES

- EXAMPLE OF COMPLETE MODEL NO:  
BJ3154AC -201  
BASIC MODEL NO. DASH NO
- EXAMPLE OF COMPLETE PART NO:  
3-0231 -201  
BASIC PART NO. CABLE GROUP DASH NO



RECOMMENDED PANEL CUTOUT  
SCALE: NONE



QTY	DESCRIPTION	PART NUMBER	ITEM
TOL UNLESS SPECIFIED DIM ±.02 HOLE ±.005 TOLERANCE ANGLES	<b>TROMPETER</b> RF connectivity	BJ3154AC	
DWN DBN 3/21/98	MATERIAL 14948	DRAWING NO. 3-0231	REV K
CHK WM 3/21/98	ENGR	APPR ED 4/1/98	SCALE 4/1
NEXT ASSY	DATE 5-31-85	SHEET 1 OF 2	

## X-ON Electronics

Largest Supplier of Electrical and Electronic Components

*Click to view similar products for [RF Connectors / Coaxial Connectors](#) category:*

*Click to view products by [Bel Fuse](#) manufacturer:*

Other Similar products are found below :

[8915-1511-000](#) [89674-0827](#) [6001-7071-019](#) [6002-7051-003](#) [6002-7551-202](#) [6059674-1](#) [619550-1](#) [630059-000](#) [M39030/3-01N](#) [6500-7071-046](#) [6769](#) [CX050L2AQ](#) [7002-1541-010](#) [7002-1542-011](#) [7004-1512-000](#) [7009-1511-004](#) [7010-1511-000](#) [7029-1511-060](#) [7101-1541-010](#) [7101-1571-002](#) [7145-1521-002](#) [7203-1571-003](#) [7209-1511-011](#) [7210-1511-015](#) [7210-1511-019](#) [73137-5015](#) [73216-2241](#) [73404-2300](#) [7405-1521-005](#) [7405-1521-802](#) [8527](#) [8547](#) [FS11V](#) [877931](#) [8808-1511-001](#) [9049-9513-000](#) [9074-9513-000](#) [9101-9573-002](#) [910A205F](#) [9130-9573-002](#) [PL11SC-026](#) [PL375-33](#) [PL40-5](#) [PL74C-221](#) [PL75MC-217](#) [PL803-7](#) [1200690078](#) [1-201144-1](#) [R107003010W](#) [R110A172100](#)