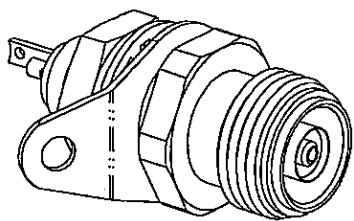


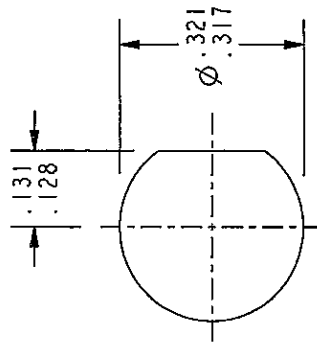
DATA CONTAINED IN THIS DOCUMENT IS PROPRIETARY TO TROMPETER ELECTRONICS, INC. AND SHALL NOT BE DISCLOSED, COPIED OR USED FOR PROCUREMENT OR MANUFACTURE WITHOUT EXPRESS WRITTEN PERMISSION.

REVISIONS

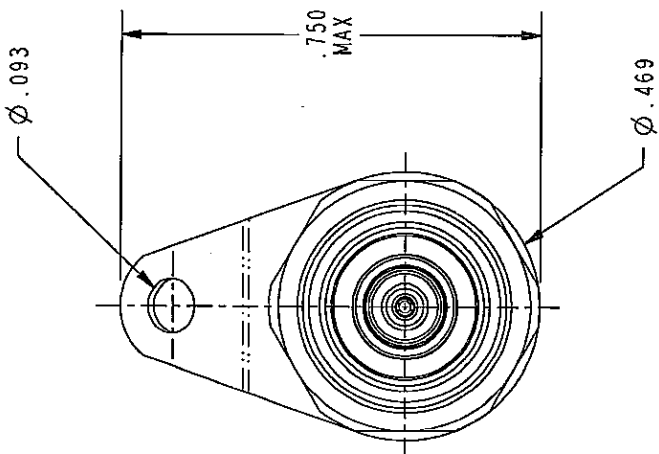
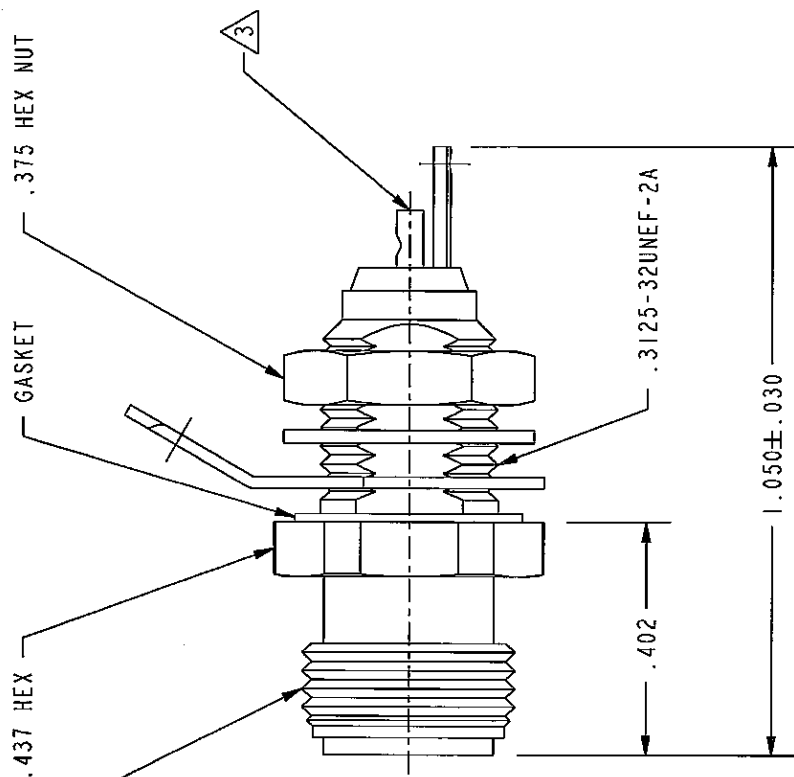
REV	DESCRIPTIONS	DATE	APPROVED
F	REVISED PER ECO 15468	6/19/84	[Signature]



SCALE 2/1



RECOMMENDED
PANEL CUTOUT
SCALE 3/1



RED INDICATES ORIGINAL

4. SUBMINIATURE TRIAXIAL SOLDER POT BULKHEAD RECEPTACLE (TTM)

△ SOLDER POT ACCEPTS Ø.034 CONDUCTOR

2. MAXIMUM PANEL THICKNESS: .187

1. FINISH: TFS-1A (NICKEL)

NOTES: UNLESS OTHERWISE SPECIFIED.

		TITLE:	
INTERPRET DRAWING PER MIL-STD-100. DIMENSIONS ARE IN INCHES AND INCLUDE FINISH THICKNESS UNLESS OTHERWISE SPECIFIED.		TOL: UNLESS SPECIFIED: .XX ± .02 .XXX ± .010 ANGLE ± 1°	
DWN L. M. 5-20-04	MATERIAL:	DO NOT SCALE DWG	
CHK [Signature] 6-3-04	FINISH:	SCALE 3/1	SHEET 1C
QTY [Signature] 6/19/84	APPROVED [Signature] 6/19/84	DRAWING NO. 3-0046	REV. F
PROJE NO. 3-0046	NEXT ASSY	DATE 8-8-80	DATE 8-8-80

X-ON Electronics

Largest Supplier of Electrical and Electronic Components

Click to view similar products for [RF Connectors / Coaxial Connectors](#) category:

Click to view products by [Bel Fuse](#) manufacturer:

Other Similar products are found below :

[8915-1511-000](#) [89674-0827](#) [6001-7071-019](#) [6002-7051-003](#) [6002-7551-202](#) [6059674-1](#) [619550-1](#) [630059-000](#) [M39030/3-01N](#) [6500-7071-046](#) [6769](#) [CX050L2AQ](#) [7002-1541-010](#) [7002-1542-011](#) [7004-1512-000](#) [7009-1511-004](#) [7010-1511-000](#) [7029-1511-060](#) [7101-1541-010](#) [7101-1571-002](#) [7145-1521-002](#) [7203-1571-003](#) [7209-1511-011](#) [7210-1511-015](#) [7210-1511-019](#) [73137-5015](#) [73216-2241](#) [73404-2300](#) [7405-1521-005](#) [7405-1521-802](#) [8527](#) [8547](#) [FS11V](#) [877931](#) [8808-1511-001](#) [9049-9513-000](#) [9074-9513-000](#) [9101-9573-002](#) [910A205F](#) [9130-9573-002](#) [PL11SC-026](#) [PL375-33](#) [PL40-5](#) [PL74C-221](#) [PL75MC-217](#) [PL803-7](#) [1200690078](#) [1-201144-1](#) [R107003010W](#) [R110A172100](#)