

MODEL NUMBER	DESCRIPTION	SCREWS SUPPLIED	FIGURE
BJ3157F-2C	2 HOLE, \varnothing .103 CLEARANCE	—	1
BJ3157F-2T	2 HOLE, THREADED 3-56 UNF-2B	—	
BJ3157F-2CS	2 HOLE, \varnothing .103 CLEARANCE	PAN HEAD 3-56 X 5/16	2
BJ3157F-2TS	2 HOLE, THREADED 3-56 UNF-2B	PAN HEAD 3-56 X 5/16	
BJ3157F-4C	4 HOLE, \varnothing .103 CLEARANCE	—	
BJ3157F-4T	4 HOLE, THREADED 3-56 UNF-2B	—	
BJ3157F-4CS	4 HOLE, \varnothing .103 CLEARANCE	PAN HEAD 3-56 X 5/16	
BJ3157F-4TS	4 HOLE, THREADED 3-56 UNF-2B	PAN HEAD 3-56 X 5/16	

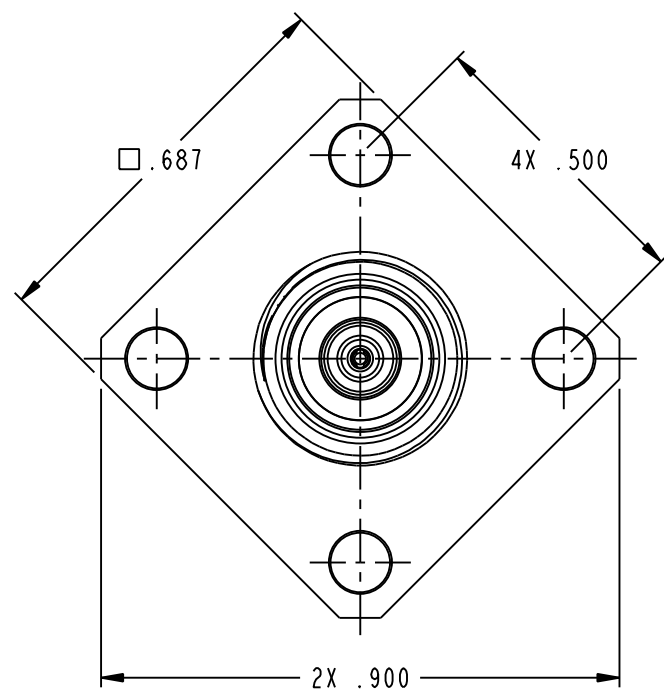
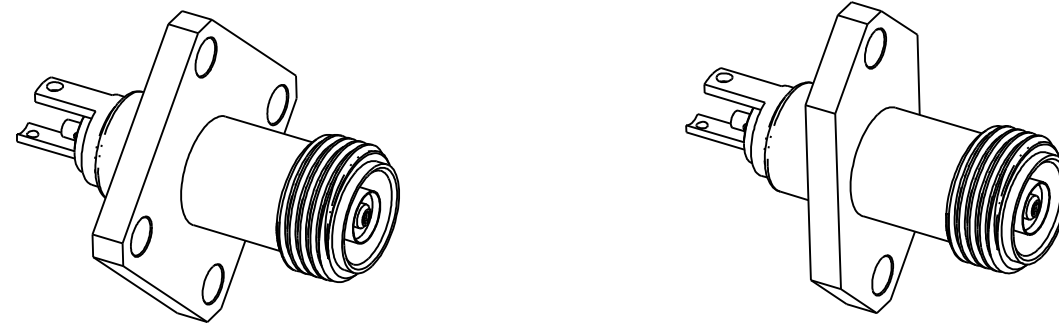


FIGURE 2
BJ3157F-4C SHOWN

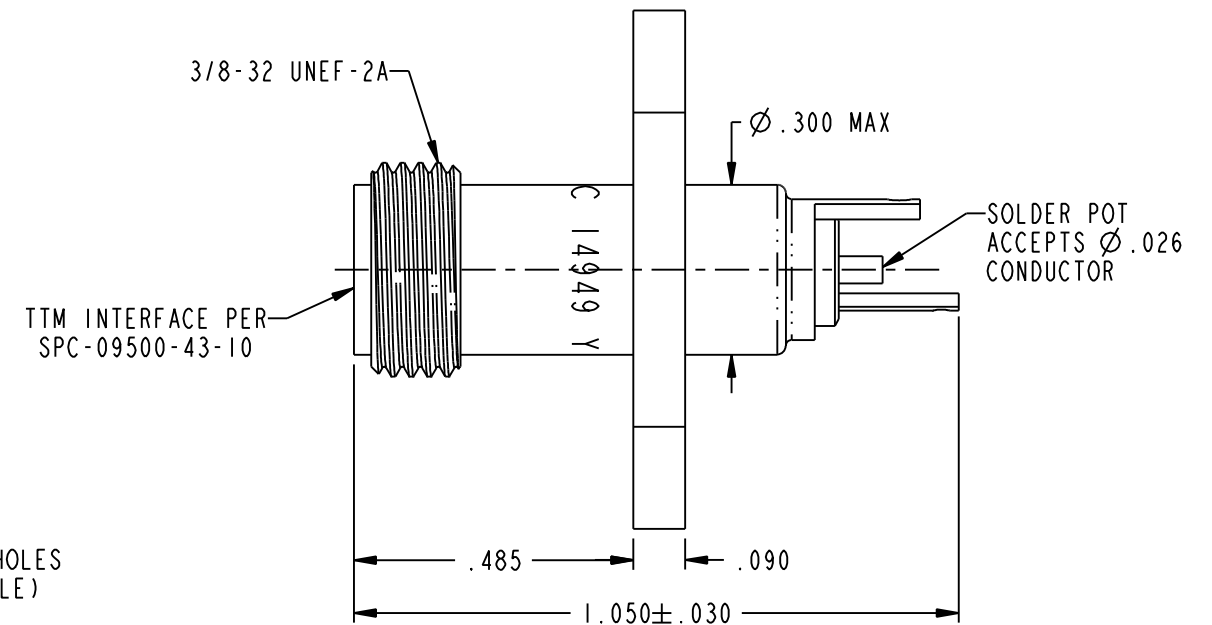
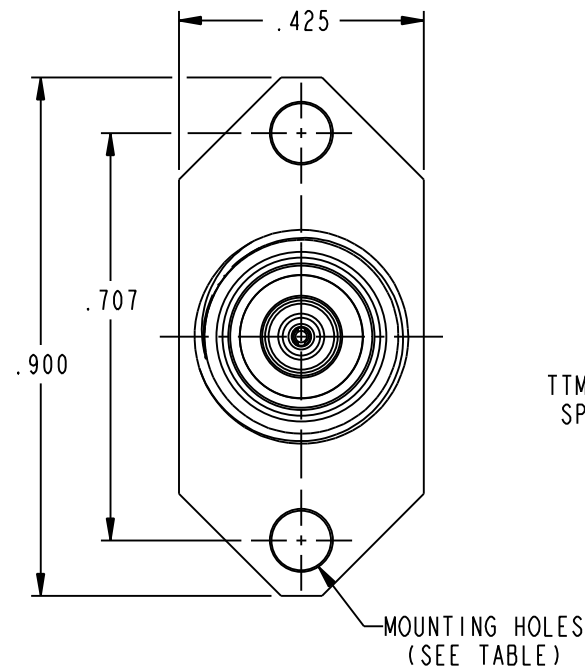


FIGURE 1
BJ3157F-2C SHOWN

NOTES: UNLESS OTHERWISE SPECIFIED.

1. MATERIAL & FINISH:
 - 1.1 BODY: NICKEL PLATED BRASS
 - 1.2 INSULATOR: PTFE (TEFLON)
 - 1.3 INTERMEDIATE CONTACT: GOLD PLATED BRASS
 - 1.4 DIELECTRIC: PTFE (TEFLON)
 - 1.5 CENTER CONTACT: GOLD PLATED BERYLLIUM COPPER
 - 1.6 SCREWS: STAINLESS STEEL
2. ELECTRICAL:
 - 2.1 FREQUENCY (MAX): 500 MHz
 - 2.2 IMPEDANCE: NON-CONSTANT
3. PANEL THICKNESS (MAX): .187

4. EXAMPLE OF COMPLETE MODEL NUMBER:

BASIC PART NO. BJ3157F-2CS

NUMBER OF HOLES 2

INCLUDED PAN HEAD SCREW (OPTIONAL) C

C = CLEARANCE
T = THREADED

		TROMPETER
	This PROPRIETARY Document is property of Cinch Connectivity Solutions. It is confidential in nature, non-transferable, and issued with the clear understanding that it is no trace or copied without permission and is returnable upon demand.	R0HS2 <input checked="" type="checkbox"/> 2011/65/EU
UNLESS OTHERWISE SPECIFIED UNITS: INCH .XX ± .02 .XXX ± .010 ANGLES ± 2°	Model No. BJ3157F-XXX	Date: 6/29/2015 Sheet 1 OF 1
INTERPRET DRAWING IN ACCORDANCE WITH ASME Y14.5-2009.	Size B DO NOT SCALE DRAWING	

X-ON Electronics

Largest Supplier of Electrical and Electronic Components

Click to view similar products for [RF Connectors](#) / [Coaxial Connectors](#) category:

Click to view products by [Bel Fuse](#) manufacturer:

Other Similar products are found below :

[8915-1511-000](#) [89674-0827](#) [6001-7071-019](#) [6002-7051-003](#) [6002-7551-202](#) [6059674-1](#) [619550-1](#) [630059-000](#) [M39030/3-01N](#) [6500-7071-046](#) [6769](#) [CX050L2AQ](#) [7002-1541-010](#) [7002-1542-011](#) [7004-1512-000](#) [7009-1511-004](#) [7010-1511-000](#) [7029-1511-060](#) [7101-1541-010](#) [7101-1571-002](#) [7145-1521-002](#) [7203-1571-003](#) [7209-1511-011](#) [7210-1511-015](#) [7210-1511-019](#) [73137-5015](#) [73216-2241](#) [73404-2300](#) [7405-1521-005](#) [7405-1521-802](#) [8527](#) [8547](#) [FS11V](#) [877931](#) [9049-9513-000](#) [9074-9513-000](#) [9101-9573-002](#) [910A205F](#) [9130-9573-002](#) [PL11SC-026](#) [PL375-33](#) [PL40-5](#) [PL74C-221](#) [PL75MC-217](#) [PL803-7](#) [980-8666-005](#) [1200690078](#) [1-201144-1](#) [R107003010W](#) [R110A172100](#)