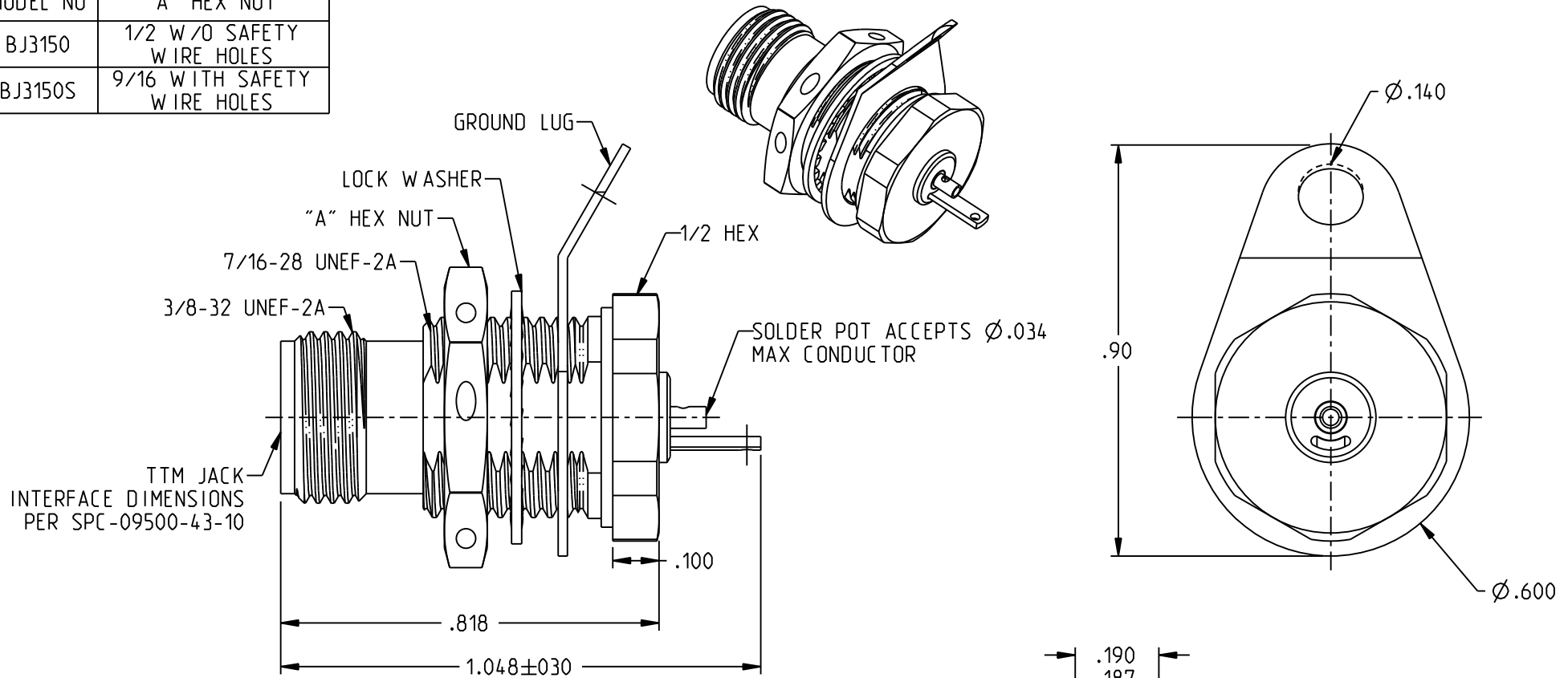


MODEL NO	"A" HEX NUT
BJ3150	1/2 W/O SAFETY WIRE HOLES
BJ3150S	9/16 WITH SAFETY WIRE HOLES



BJ3150S SHOWN

NOTES: UNLESS OTHERWISE SPECIFIED.

1. MATERIALS & FINISH:

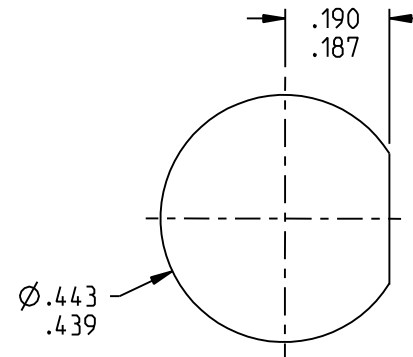
- 1.1 BODY: NICKEL PLATED BRASS
- 1.2 OUTER INSULATOR: PTFE
- 1.3 DIELECTRIC: PTFE (TEFLON)
- 1.4 CENTER CONTACT: GOLD PLATED BERYLLIUM COPPER
- 1.5 INTERMEDIATE CONTACT: GOLD PLATED BRASS.
- 1.6 GASKET: SILICONE RUBBER
- 1.7 MOUNTING HARDWARE: NICKEL PLATED COPPER ALLOY

2. ELECTRICAL:

- 2.1 IMPEDANCE: NON-CONSTANT
- 2.2 FREQUENCY (MAX): 500 MHZ

3. OTHER:

- 3.1 PANEL NUT TORQUE (MAX): 35 IN-LBS
- 3.2 PANEL THICKNESS (MAX): .250



RECOMMENDED PANEL CUTOUT

	3RD ANGLE PROJECTION	TROMPETER	
	This PROPRIETARY Document is property of Cinch Connectivity Solutions. It is confidential in nature, non-transferable, and issued with the clear understanding that it is no traced or copied without permission and is returnable upon demand.	RoHS2 <input checked="" type="checkbox"/> 2011/65/EU UNLESS OTHERWISE SPECIFIED UNITS: INCH	Title: TTM BULKHEAD JACK, SOLDER POT
INTERPRET DRAWING IN ACCORDANCE WITH ASME Y14.5-2009.	.XX ±.02 .XXX ±.010 ANGLES ±2°	Model No. BJ3150X	Date: 5/9/2016
Size A	DO NOT SCALE DRAWING	Sheet 1 OF 1	Date: 5/9/2016

X-ON Electronics

Largest Supplier of Electrical and Electronic Components

Click to view similar products for [RF Connectors / Coaxial Connectors](#) category:

Click to view products by [Bel Fuse](#) manufacturer:

Other Similar products are found below :

[8915-1511-000](#) [89674-0827](#) [6001-7071-019](#) [6002-7051-003](#) [6002-7551-202](#) [6059674-1](#) [619550-1](#) [630059-000](#) [M39030/3-01N](#) [6500-7071-046](#) [6769](#) [CX050L2AQ](#) [7002-1541-010](#) [7002-1542-011](#) [7004-1512-000](#) [7009-1511-004](#) [7010-1511-000](#) [7029-1511-060](#) [7101-1541-010](#) [7101-1571-002](#) [7145-1521-002](#) [7203-1571-003](#) [7209-1511-011](#) [7210-1511-015](#) [7210-1511-019](#) [73137-5015](#) [73216-2241](#) [73404-2300](#) [7405-1521-005](#) [7405-1521-802](#) [8527](#) [8547](#) [FS11V](#) [877931](#) [9049-9513-000](#) [9074-9513-000](#) [9101-9573-002](#) [910A205F](#) [9130-9573-002](#) [PL11SC-026](#) [PL375-33](#) [PL40-5](#) [PL74C-221](#) [PL75MC-217](#) [PL803-7](#) [980-8666-005](#) [1200690078](#) [1-201144-1](#) [R107003010W](#) [R110A172100](#)